



# Quick Reference Guide: Products Designed for DisplayPort Standard

DisplayPort is a universal interface specification designed for internal and external system solutions that reduce device complexity by significantly improving performance for high bandwidth audio and video data transfer over one cable. The need for LVDS electronics is removed, which allows for a significantly smaller form factor in notebooks and LCD displays. Connectors designed for DisplayPort standard are designed in conjunction with Video Electronics Standards Association (VESA) DisplayPort 1.1a standards to be used primarily within the notebook and PC markets.

## FEATURES AND BENEFITS

- Future foundation for new display usages featuring higher color depths, display resolutions, and refresh rates
- User-friendly and cost effective
- Smaller footprint takes up less PCB space yet provides scalable performance in terms of resolution
- Reduces number of wires required
- Supports embedded clock
- Superior shielding against EMI
- Replace DVI & VGA interfaces
- Optional latching feature prevents longer cables from detaching

## PRODUCT APPLICATIONS

- PCs
- External display interconnects
  - TV monitors
  - Panels
  - Set-Top Boxes
  - Projectors
- DVD players
- Game consoles
- Mobile Devices
- Digital Video Cameras
- Optical disc players

VESA is a trademark of the Video Electronics Standards Association.  
DVI is a trademark or registered trademark of Digital Display Working Group  
VGA is a trademark of IBM Corporation.  
LVDS is a trademark of National Semiconductor.  
HDMI is a trademark of HDMI Licensing, LLC.  
<http://www.tycoelectronics.com/products/displayport>

PCB MOUNTING STYLES



Top Mount

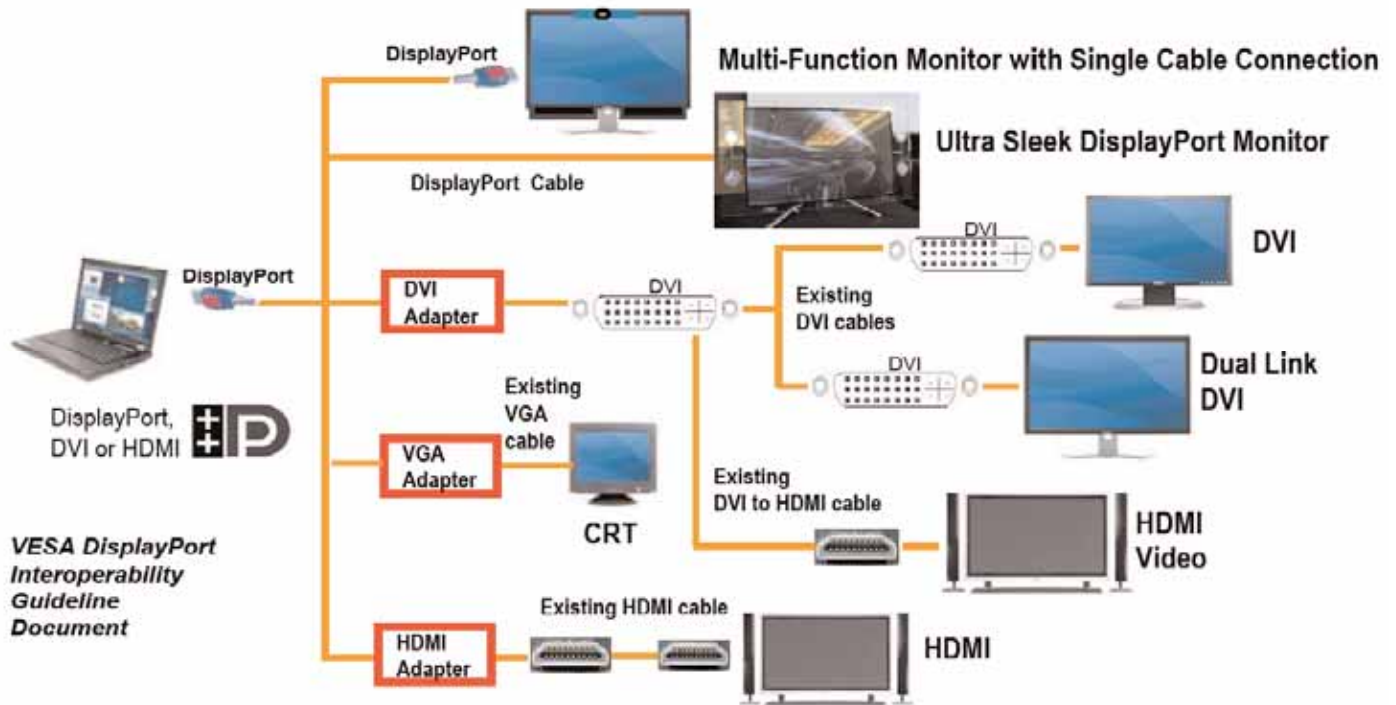


Bottom Mount



Off Set Mount

DISPLAYPORT APPLICATION GUIDE INCORPERATING HDMI AND DVI



DISPLAYPORT - DVI STANDARDS COMPARISON

	DISPLAYPORT STANDARD	DVI
<b>No. of high - speed differential pairs</b>	1, 2 or 4 pairs (No clock pairs)	4 pairs for single link, 7 pairs for dual link (1clock pair)
For 1680 x 1050 @ 18bpp	1 Pair	4 Pairs
For 1600 x 1200 @ 30bpp	2 Pairs	7 Pairs
For 2048 x 1536 @ 36bpp	4 Pairs	N/A (or two cables)
<b>Bit rate, per pair</b>	2.7Gbits / sec, fixed rate (1.62Gbps option available)	Up to 1.64 Gbits / sec
<b>Total raw capacity per 4-differential pairs</b>	10.8 Gbits / sec	4.95 Gbits / sec
<b>AC - coupled for proccess migration</b>	Yes	No
<b>Audio Support</b>	Yes	None
<b>Aux. Channels</b>	1 Mbps AUX CH, 500us max. latency	DDC, No max. latency limit
<b>Channel Coding</b>	ANSI8B/10B (open)	TMDS (Proprietary)
<b>Content Protection</b>	Philips's DPCP optional	HDCP
<b>Protocol</b>	Micro-Packet-based extensible in the future to add features	Digitized and serialized analog video raster
<b>Internal Connection</b>	Included in first release of spec.	None
<b>Controlling Authority</b>	VESA	Digital Display Working Group

VESA, VESA Logo, and DisplayPort Certified Logo are trademarks of the Video Electronics Standards Association.  
 DVI is a trademark or registered trademark of Digital Display Working Group.  
 HDMI is a trademark of HDMI Licensing, LLC.  
 VGA is a trademark of IBM Corporation.

**COMPUTER DISPLAY TIMELINE**



Products designed for DisplayPort standard offer a user friendly interface in a smaller form factor than past VGA and DVI standards.

**PRODUCTS DESIGNED FOR DISPLAYPORT STANDARD**



PART NUMBER	CONTACT TERMINATION TYPE	PCB MOUNTING POSITION	PCB RETENTION METHOD	MOUNTING FLANGE	COMMENT
2040247	Surface Mount	Top	Surface Mount Legs	With	
2040204	Surface Mount	Top	Through Hole Legs	With	
2040210	Through Hole	Top	Through Hole Legs	With	
2040388	Surface Mount	Top	Surface Mount Legs	Without	
2013655	Surface Mount	Top	Through Hole Legs	Without	
2013656	Surface Mount	Bottom	Through Hole Legs	Without	
2013659	Through Hole	Top	Through Hole Legs	Without	2.0MM Tine
2040276	Through Hole	Top	Through Hole Legs	Without	2.6MM Tine
2040277	Through Hole	Offset (PCB Cut-out Required)	Through Hole Legs	Without	

PRODUCT SPECIFICATION: 108-78515

**CABLE ASSEMBLIES CERTIFIED TO DISPLAYPORT STANDARD**

PART NUMBER	CABLE JACKET	FERRITE CORE	LATCH
2069230-2	Normal (PVC) Cable Jacket	Without Ferrite Core	Without Latch
2040685-2	Normal (PVC) Cable Jacket	Without Ferrite Core	With Latch
2006457-2	Normal (PVC) Cable Jacket	With Ferrite Core	Without Latch
2006454-2	Normal (PVC) Cable Jacket	With Ferrite Core	With Latch
2040686-2	Halogen - Free Cable Jacket	Without Ferrite Core	Without Latch
2040687-2	Halogen - Free Cable Jacket	Without Ferrite Core	With Latch
2006459-2	Halogen - Free Cable Jacket	With Ferrite Core	Without Latch
2006453-2	Halogen - Free Cable Jacket	With Ferrite Core	With Latch



**CABLE ADAPTERS DESIGNED TO DISPLAYPORT STANDARD**

PART NUMBER	DESCRIPTION	LATCH	LENGTH
MGC00-00163	End designed for DisplayPort standard to end designed for DVI-D standard	DisplayPort Standard End - With Latch	0.2 Meters

Please inquire about our other cable assemblies:  
 End designed for DisplayPort standard to end designed for HDMI standard  
 End designed for DisplayPort standard to end designed for VGA standard

All part numbers are RoHS compliant.

VESA, VESA Logo, and DisplayPort Certified Logo are trademarks of the Video Electronics Standards Association.  
 DVI is a trademark or registered trademark of Digital Display Working Group.  
 HDMI is a trademark of HDMI Licensing, LLC.  
 VGA is a trademark of IBM Corporation.

<http://www.tycoelectronics.com/products/displayport>

Products Designed for DisplayPort Standard

# Products Designed for DisplayPort Standard

## QUESTIONS TO ASK AT DESIGN IN

- **What is the voltage rating for products designed for DisplayPort standard?**  
The voltage rating is 40 vac (rms)
- **What is the current rating for products designed for DisplayPort standard?**  
Current rating: signal application only, 0.5 ampere maximum per contact
- **What is the temperature rating for products designed for DisplayPort standard?**  
The temperature rating is -40°C to +85°C unless limited by cable overmold
- **Are your connectors certified by some DisplayPort body or group?**  
The VESA requires certification electrically of the cable assemblies, transmitter and receiver not individual connectors. The certification documents can be found at a listing under: <http://www.displayport.org/>. Tyco Electronics has multiple cable assemblies certified and using certified items, meaning you can be assured your video link will operate.
- **How can I get a copy of the DisplayPort specification?**  
You can get a copy of the latest released specification ( 1.1a) at no charge, by filling out an application at: [https://fs16.formsite.com/VESA/form608559305/secure\\_index.html](https://fs16.formsite.com/VESA/form608559305/secure_index.html).
- **The DisplayPort specification calls for standard 2.0+/-10% meter cable assemblies. Can I get other lengths?**  
Yes, other lengths can be built under custom orders. One must realize that the physical cable construction will be different as the length increases so that signal integrity losses can be limited.

### Disclaimer

While Tyco Electronics has made every reasonable effort to ensure the accuracy of the information in this catalog, Tyco Electronics does not guarantee that it is error-free, nor does Tyco Electronics make any other representation, warranty or guarantee that the information is accurate, correct, reliable or current.

Tyco Electronics reserves the right to make any adjustments to the information contained herein at any time without notice. Tyco Electronics expressly disclaims all implied warranties regarding the information contained herein, including, but not limited to, any implied warranties of merchantability or fitness for a particular purpose. The dimensions in this catalog are for reference purposes only and are subject to change without notice. Specifications are subject to change without notice. Please consult Tyco Electronics for the latest dimensions and design specifications.

### Restriction on the use of Hazardous Substances (RoHS)

At Tyco Electronics, we're ready to support your RoHS requirements. We've assessed more than 1.5 million end items/components for RoHS compliance, and issued new part numbers where any change was required to eliminate the restricted materials. Part numbers in this catalog are identified as:

**RoHS Compliant** — Part numbers in this catalog are RoHS Compliant, unless marked otherwise. These products comply with European Union Directive 2002/95/EC as amended 1 January 2006 that restricts the use of lead, mercury, cadmium, hexavalent chromium, PBB, and PBDE in certain electrical and electronic products sold into the EU as of 1 July 2006.

**NOTE:** For purposes of this Catalog, included within the definition of RoHS Compliant are products that are clearly "Out of Scope" of the RoHS Directive such as hand tools and other non-electrical accessories.

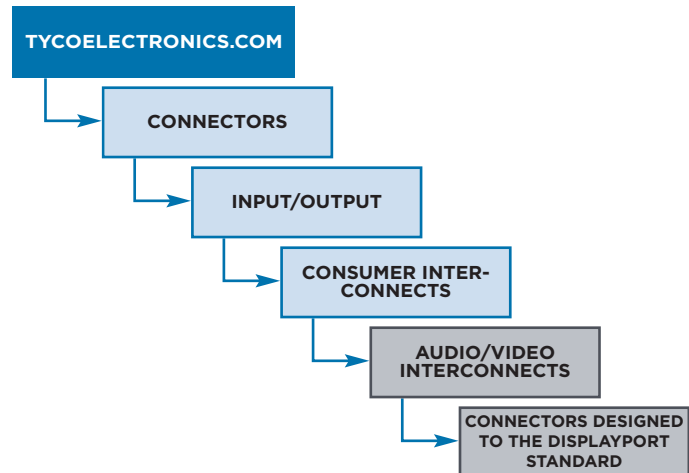
**NOTE:** Information regarding RoHS compliance is provided based on reasonable inquiry of our suppliers and represents our current actual knowledge based on the information provided by our suppliers. This information is subject to change. For latest compliance status, refer to our website referenced at right.

## YOU ARE HERE (E-CATALOG)

[Product Overview Page](#)

<http://tycoelectronics.com/products/displayport>

[Breakdown From Main Page](#)



### Getting the Information You Need

Our comprehensive on-line RoHS Customer Support Center provides a forum to answer your questions and support your RoHS needs. A RoHS FAQ (Frequently Asked Questions) is available with links to more detailed information. You can also submit RoHS questions and receive a response within 24 hours during a normal work week. The Support Center also provides:

- Cross-Reference from Non-compliant to Compliant Products
- Ability to browse RoHS Compliant Products in our on-line catalog
- Downloadable Technical Data Customer Information Presentation
- More detailed information regarding the definitions used above
- So whatever your questions when it comes to RoHS, we've got the answers at [www.tycoelectronics.com/leadfree](http://www.tycoelectronics.com/leadfree)

RoHS  
Customer  
Support  
Center

© 2009 Tyco Electronics Corporation. All Rights Reserved.

TE LOGO and TYCO ELECTRONICS are trademarks. Other products, logos and company names mentioned herein may be trademarks of their respective owners.

VESA, VESA Logo, and DisplayPort Certified Logo are trademarks of the Video Electronics Standards Association. DVI is a trademark or registered trademark of Digital Display Working Group.

VGA is a trademark of IBM Corporation.

HDMI is a trademark of HDMI Licensing, LLC.

Dimensions are in millimeters with inches (if shown) in brackets. Specifications subject to change.

For more information, contact your Tyco Electronics sales engineer at the numbers listed below, or visit our Website at: <http://www.tycoelectronics.com>.

USA: 1-800-522-6752

Canada: 1-905-470-4425

Mexico: 01-800-733-8926

C. America: 52-55-1106-0803

S. America: 55-11-2103-6000

Hong Kong: 852-2735-1628

Japan: 81-44-844-8013

UK: 31-73-6246-431

8-1773453-7-1.5K-FP-CCCE-AH-01/09

 **Tyco Electronics**

Our commitment. Your advantage.