

MICRO SWITCH
a Honeywell Division

FED. MFG. CODE 91929

**MINIATURE PRECISION
LIMIT SWITCH**

CATALOG LISTING

914CE20-3

914CE20-3

M

DRAWING
NUMBER

3

ISSUE

RELEASE NO. PR-6431-T REPLACES

CHECK

CHECK

REVISIONS

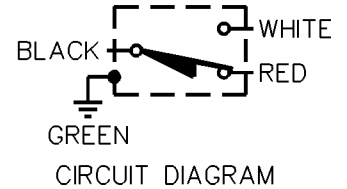
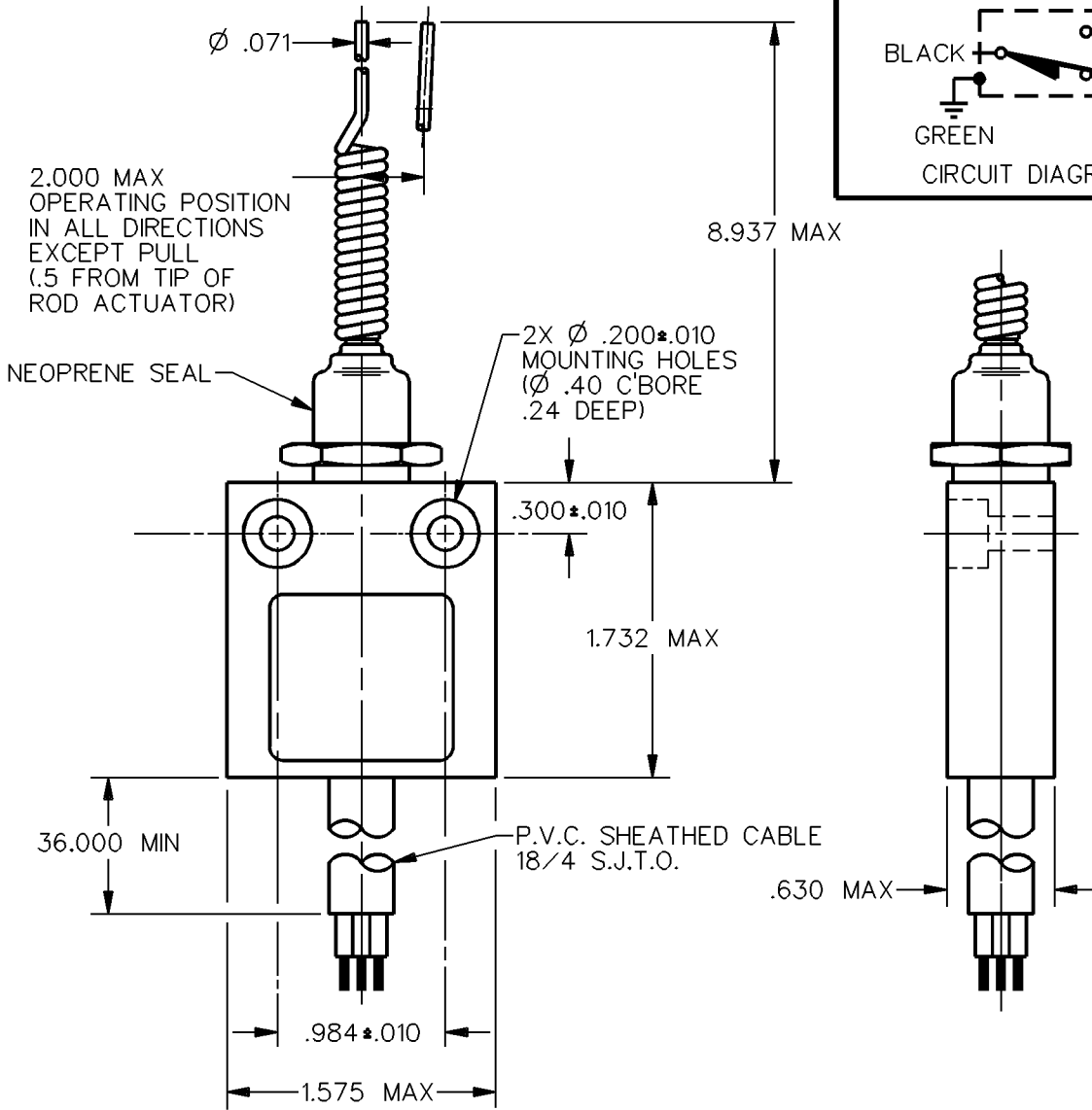
A	CO-69061
S	A V 31 AUG 91

DDM/CAD

DRAWN

CHECK

S A V 31 AUG 91

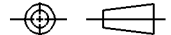




NOTES
1 - ZINC HOUSING FINISHED WITH GRAY PAINT

ANSI Y14.5M-1982 APPLIES

THIS DRAWING COVERS A PROPRIETARY ITEM AND IS THE PROPERTY OF MICRO SWITCH, A DIVISION OF HONEYWELL. THIS DRAWING IS NOT TO BE COPIED OR USED WITHOUT THE APPROVAL OF MICRO SWITCH.

THIRD ANGLE PROJECTION



CHARACTERISTICS	ELECTRICAL DATA	SCALE FULL	DO NOT SCALE PRINT
OPERATING FORCE — — — 2 OZ MAX	CONTACT ARRANGEMENT S P D T	UNLESS OTHERWISE SPECIFIED TOLERANCES ARE	
	5A 1/10HP 125 OR 250 VAC	ONE PLACE (.0)	$\pm .030$
	 	TWO PLACE (.00)	$\pm .015$
		THREE PLACE (.000)	$\pm .005$
		ANGLES	\pm
		WEIGHT	