

# storm SF6000 Series Keypad



## Compact numeric data entry for use where panel space is limited

- Impact resistant  
20J BS EN 60068-2-75: 1997)
- Weather resistant (IP65)
- Suitable for use by those with mobility or sensory impairment
- Permanent, high contrast, laser engraved keytop graphics (engraved and infilled metal keys)
- Raised tactile symbols on coloured function keys and 'home pip' on the 5 key
- Rugged, reliable and responsive data entry featuring Storm's patented switch technology
- Available with black polymer keys, illuminated polymer keys or metal keys
- Small footprint – overall dimensions: 106.5 x 88.5 x 31 mm (including contact connections)
- Can be sanitised using most commonly used cleaning agents



[www.storm-interface.com](http://www.storm-interface.com)

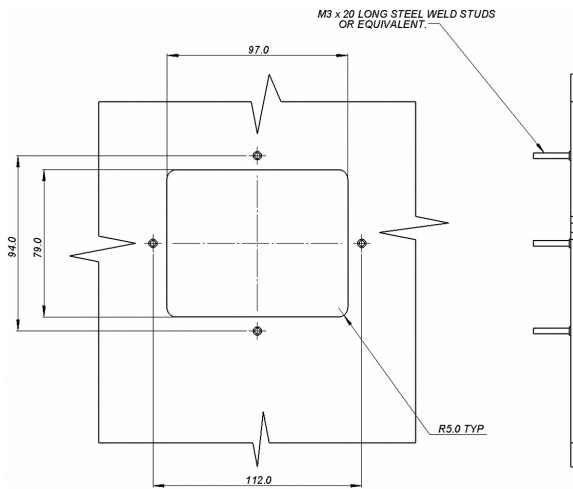
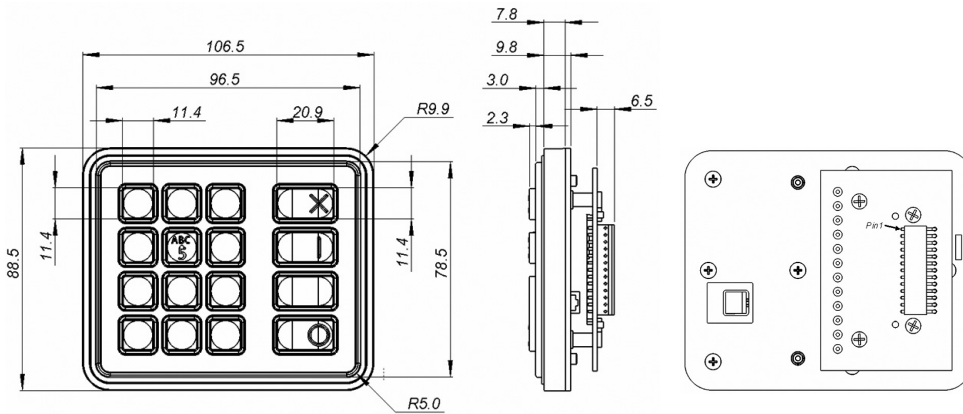
Storm Interface products include technology protected by international patents and design registration. All rights reserved.

# storm

## Small Footprint – SF6000 Series Keypad



### Overall Dimensions



### Electrical

Keypad Operating Voltage	24V DC (max)
Keypad Operating Current	50mA (max)
Contact Resistance	100 ohms (max)
Illumination Voltage	5V DC (separate connector)

### Mechanical

Minimum Operational Life	4 million cycles/key
Keytop Travel	1.5 mm
Actuation Force	150 gm
Connector	0.1" pitch, gold-plated square pins with locking ramp

### Environmental

Operating Temperature	-20°C to 60°C
Vandal Resistant	20J BS EN 60068-2-75: 1997
Weather Resistant	IP65 (where mounted to a suitable enclosure – panel mount gasket included)

### Ordering Details

Stock No.	Description
8616-210023	Laser Engraved polymer Keys
8616-310023	Engraved Metal Keys
8616-410023	Illuminated Polymer Keys
6000-MK0003	Under Panel Mount Kit
4200-003	RS-232 Encoder

Whilst every effort is made to ensure details are correct at time of print, specifications are subject to change without notice.



FM 39602



Storm is a trademark of Keymat Technology Ltd  
Storm Interface is a trading name of Keymat Technology Ltd  
Storm Interface products include technology protected by international patents and design registration. All rights reserved.