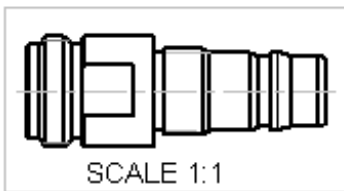
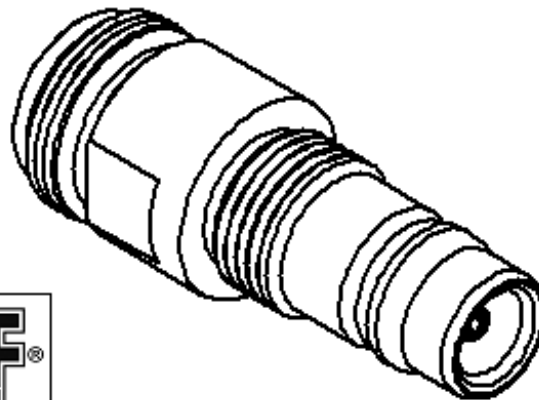
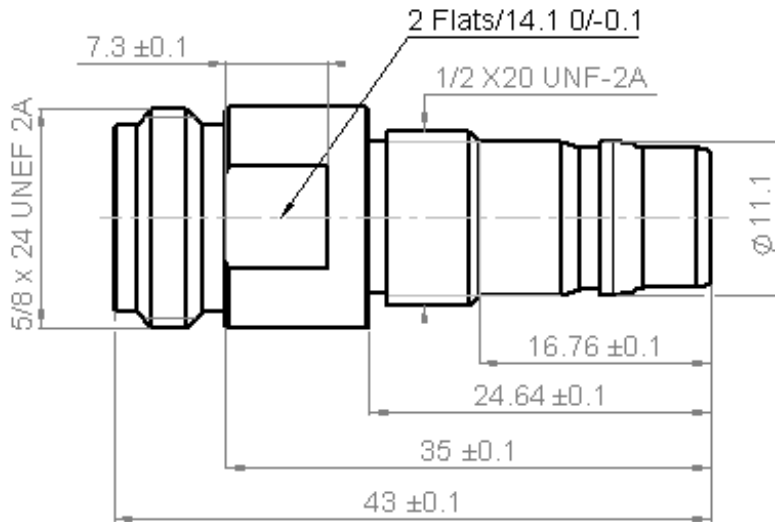


QN FEMALE - N FEMALE ADAPTER

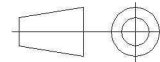
R191.760.010

N FEMALE ADAPTER

Série : ADAPT



All dimensions are in mm.



COMPONENTS	MATERIALS	PLATING (µm)
BODY	BRASS	ARGENT 3 SUR BBR 0.5
CENTER CONTACT	BERYLLIUM COPPER	ARGENT 5 PASSIVE SUR CUIVRE 0.5
OUTER CONTACT		
INSULATOR	PTFE	
GASKET		
OTHERS PARTS		
-	-	-
-	-	-

Issue : 0730 A

In the effort to improve our products, we reserve the rights to make changes judged to be necessary.



QN FEMALE - N FEMALE ADAPTER

R191.760.010

N FEMALE ADAPTER

Série : ADAPT

PACKAGING

SPECIFICATION

Standard	Unit	Other
	'W' option	Contact us

ELECTRICAL CHARACTERISTICS

ENVIRONMENTAL

Impedance	50	Ω
Frequency	0-6*	GHz
VSWR	1.05 + 0,0250	x F(GHz) Maxi
Insertion loss	0.048	\sqrt{F} (GHz) dB Maxi
RF leakage	- (**90)	- F(GHz)) dB Maxi
Voltage rating	1400	Veff Maxi
Dielectric withstanding voltage	2500	Veff mini
Insulation resistance	5000	M Ω mini

Operating	-55/+125	$^{\circ}$ C
Hermetic seal	NA	Atm.cm3/s
Panel leakage	NA	

MECHANICAL CHARACTERISTICS

OTHER CHARACTERISTICS

Center contact retention		
Axial force – Mating end	27	N mini
Axial force – Opposite end	27	N mini
Torque	NA	N.cm mini

*usable: 0-11GHz
 **RF Leakage: -80dB min 3<F<6GHz
 ***PIM3: -112dBm(2x20W at 1.8GHz)

Recommended torque		
Mating	N	0 N.cm
	QN	0 N.cm
		0 N.cm
Panel nut		N.cm

Mating life	100	Cycles mini
Weight	35,8400	g

Issue : 0730 A

In the effort to improve our products, we reserve the rights to make changes judged to be necessary.

