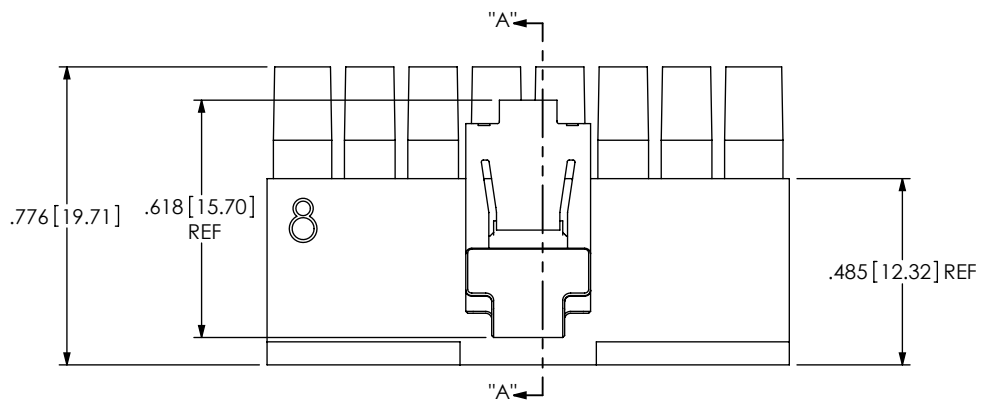


NOTES:

1. Ⓢ REPRESENTS A CRITICAL DIMENSION.
2. BURR ALLOWANCE: .0015[.038] MAX.
3. LATCH RETENTION FORCE: 1.000LB[4.45N]
4. POSITIONS 2 THRU 5 TO BE BULK PACKAGED, ALL OTHER POSITIONS TO BE TUBED

FIG. 1  
(IPBD-08-D-M SHOWN)



DO NOT  
SCALE FROM  
THIS PRINT

IPBD-XX-D-M

No OF POSITIONS  
-02 THRU -15 (PER ROW)

METAL RETENTION LATCH  
-M: METAL LATCH (USE LTC-14-01-N)

ROW SPECIFICATION  
-D: DOUBLE

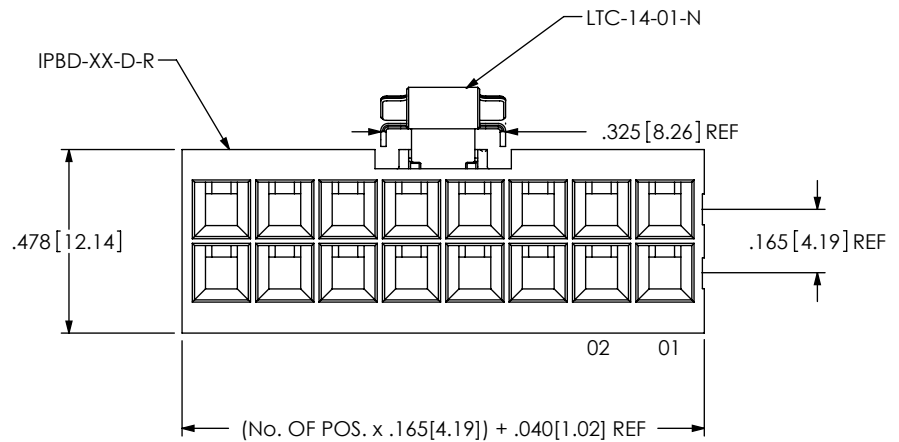
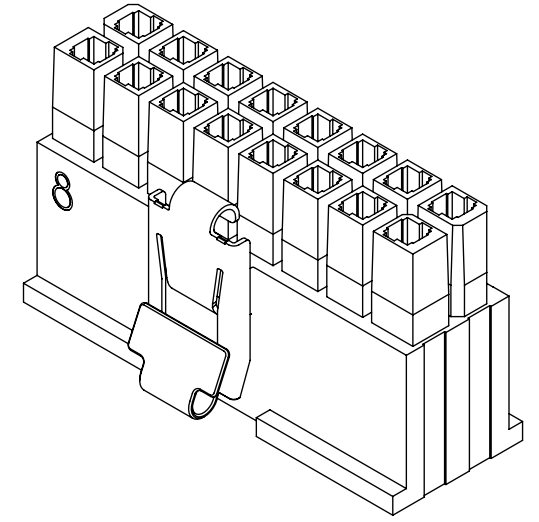
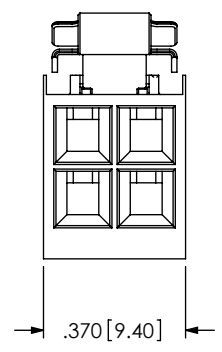
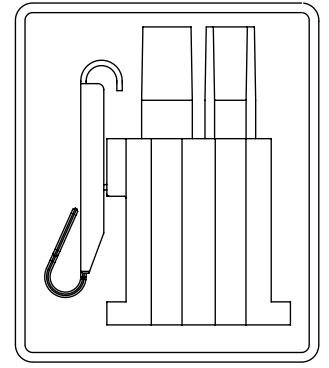


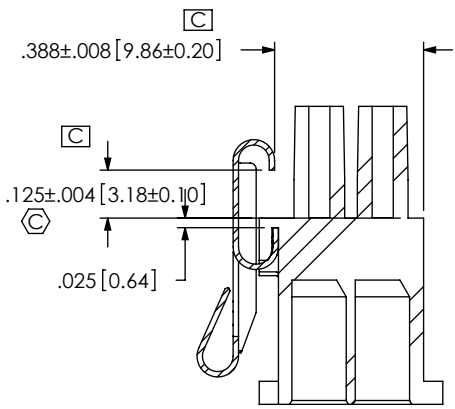
FIG. 2  
(IPBD-02-D-M SHOWN)  
(SAME AS FIG. 1 DIFFERENT  
AS SHOWN)



PACKAGING VIEW  
(SEE NOTE 4)



TUBE: PT-1-24-03-56  
PLUG: TP-04



SECTION "A"- "A"

UNLESS OTHERWISE SPECIFIED,  
DIMENSIONS ARE IN INCHES.  
TOLERANCES ARE:  
DECIMALS ANGLES  
.XX: ±.01 [.3] 2°  
.XXX: ±.005 [.13]  
.XXXX: ±.0020 [.051]

PROPRIETARY NOTE  
THIS DOCUMENT CONTAINS INFORMATION  
CONFIDENTIAL AND PROPRIETARY TO  
SAMTEC, INC. AND SHALL NOT BE REPRODUCED  
OR TRANSFERRED TO OTHER DOCUMENTS OR  
DISCLOSED TO OTHERS OR USED FOR ANY  
PURPOSE OTHER THAN THAT WHICH IT WAS  
OBTAINED WITHOUT THE EXPRESSED WRITTEN  
CONSENT OF SAMTEC, INC.

**samtec**  
520 PARK EAST BLVD, NEW ALBANY, IN 47150  
PHONE: 812-944-6733 FAX: 812-948-5047  
e-Mail: info@SAMTEC.com code: 55322

MATERIAL: DO NOT SCALE DRAWING SHEET SCALE: 2:1  
INSULATOR: NYLON 6/6  
LATCH: NICKEL-PLATED BeCu, #25, 1/2HT

DESCRIPTION:  
.165[4.19] DISCRETE WIRE INSULATOR & LATCH ASM

DWG. NO. IPBD-XX-D-M

BY: T NEWTON 03/20/2008 SHEET 1 OF 1