

Dual Channel x1 PCIe Redriver/Equalizer

Check for Samples: [SN65LVPE501](#)

FEATURES

- Single Lane PCIe Equalizer/Redriver
- Support for Both PCIe Gen I (2.5Gbps) and Gen II (5.0 Gbps) Speed
- Selectable Equalization, De-emphasis and Output Swing Control
- Integrated Termination
- Hot-Plug Capable
- Receiver Detect
- Low Power:
 - 330mW(TYP), $V_{CC} = 3.3V$
- Auto Low Power Modes:
 - 5mW (TYP) When no Connection Detected
 - 70mW (TYP) When in Auto-Low Power Mode

- Excellent Jitter and Loss Compensation Capability:
 - 30" of 6 mil Stripline on FR4
- Small Foot Print – 24 Pin 4 x 4 QFN Package
- High Protection Against ESD Transient
 - HBM: 3,000 V
 - CDM: 1,500 V
 - MM: 200 V

APPLICATIONS

- PC MB, Docking Stations, Backplane and Cabled Application

DESCRIPTION

The SN65LVPE501 is a dual channel, single lane PCIe redriver and signal conditioner supporting data rates of up to 5.0Gbps. The device complies with PCIe spec revision 2.1.

Programmable EQ, De-Emphasis and Amplitude Swing

The SN65LVPE501 is designed to minimize the signal degradation effects such as crosstalk and inter-symbol interference (ISI) that limits the interconnect distance between two devices. The input stage of each channel offers selectable equalization settings that can be programmed to match loss in the channel. The differential outputs provide selectable de-emphasis to compensate for the anticipated distortion PCIe signal will experience. Level of de-emphasis will depend on the length of interconnect and its characteristics. Both equalization and de-emphasis levels are controlled by the setting of signal control pins EQ1, EQ2 and DE1, DE2.

To provide additional control of signal integrity in extended backplane applications LVPE501 provides independent output amplitude control for each channel. See [Table 2](#) for setting details.

Device PowerOn

Device initiates internal power-on reset after V_{CC} has stabilized. External reset can also be applied at anytime by toggling \overline{RST} pin. External reset is recommended after every device power-up. When \overline{RST} is driven high, the device samples the state of EN_RXD, if it is set H device enters Rx.Detect state where each channel will perform Rx.Detect function (as described in PCIe spec). If EN_RXD is set L, automatic RX detect function is disabled and both channels are enabled with their termination set to Z_{DC_RX} .

Receiver Detection

While EN_RXD pin is H and device is not in sleep mode (\overline{RST} is H), SN65LVPE501 performs RX.Detect on both channels indefinitely until remote termination is detected on both channels. Automatic Rx detection feature can be forced off by driving EN_RXD low. In this state both channels input termination are set to Z_{DC_RX} .



Please be aware that an important notice concerning availability, standard warranty, and use in critical applications of Texas Instruments semiconductor products and disclaimers thereto appears at the end of this data sheet.



These devices have limited built-in ESD protection. The leads should be shorted together or the device placed in conductive foam during storage or handling to prevent electrostatic damage to the MOS gates.

DESCRIPTION CONTINUED

Sleep (Shut_Down) Mode

This is low power state triggered by $\overline{\text{RST}} = \text{L}$. In sleep mode receiver termination resistor for each of the two channels is switched to $Z_{\text{RX-HIGH_IMP}}$ of $>50 \text{ K}\Omega$ and transmitters are pulled to Hi-Z state. Device power is reduced to $<1\text{mW}$ (TYP). To get device out of sleep mode $\overline{\text{RST}}$ is toggled L-H.

Electrical Idle Support

A link is in an electrical idle state when the $\text{TX}\pm$ voltage is held at a steady constant value like the common mode voltage. SN65LVPE501 detects an electrical idle state when $\text{RX}\pm$ input voltage of the associated channel falls below $V_{\text{EID_TH min}}$. After detection of an electrical idle state in a given channel the device asserts electrical idle state in its corresponding TX. When $\text{RX}\pm$ voltage exceeds $V_{\text{EID_TH max}}$, normal device operation is restored and output starts passing input signal. Electrical idle exit and entry time is specified at $\leq 6\text{ns}$.

Electrical idle support is independent for each channel.

Power Save Features

The device supports three power save modes as described below.

1. Sleep (Shut_Down) Mode

This mode can be enabled from any state (Rx detect or active) by driving $\overline{\text{RST}} = \text{L}$. In this state both channels have their termination set to $Z_{\text{RX-HIGH_IMP+}}$ and outputs are at Hi-Z. Device power is 1mW (MAX)

2. Auto Low Power Mode

This mode is enabled when PS pin is tied H and device is in active mode. In this mode anytime $V_{\text{in_diff_pp}}$ falls below selected $V_{\text{EID_TH}}$ for a *given channel* and stays below $V_{\text{EID_TH}}$ for $>1\mu\text{s}$ (TYP), the associated CH will enter auto low power (ALP) mode where power/CH will be reduced to $<1/3^{\text{rd}}$ of normal operating power/CH or about 70mW under typical voltage of 3.3V when ALP conditions are met for both channels. A CH will exit ALP mode whenever $V_{\text{in_diff_pp}}$ exceeds $\text{max } V_{\text{EID_TH}}$ for that channel. Exit latency is 30ns max. To use this mode link latency will need to account for the ALP exit time for N_{FTS} . ALP mode is handled by each channel independently based on its input differential signal level. This mode can be disabled by leaving PS as NC or tying PS to GND via $4.7\text{k}\Omega$.

3. Cable Disconnect Mode

This mode is activated when $\overline{\text{RST}}$ is H, $\text{EN_RXD} = \text{H}$, and no termination is detected by either channel. Device is in the Rx.Detect state whereby it is continuously performing Rx.Detect on both channels. In this state total power consumed by device is typically $<3\%$ of normal active power. Or $<10\text{mW}$ (MAX).

Beacon Support

With its broadband design, the SN65LVPE501 supports low frequency Beacon signal (as defined by PCIe 2.1 spec) used to indicate wake-up event to the system by a downstream device when in L2 power state. All requirements for a beacon signal as specified in PCI Express specification 2.1 must be met for device to pass beacon signals.

Devic Power

The SN65LVPE501 is designed to operate from a single 3.3V supply. Always practice proper supply sequencing procedure. Apply V_{CC} first before any input control pin signals are applied to the device. Power-down sequence is in reverse order.

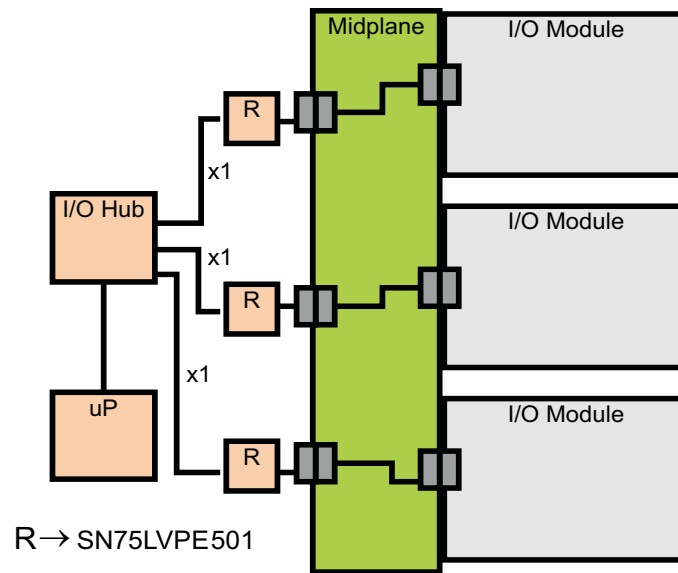
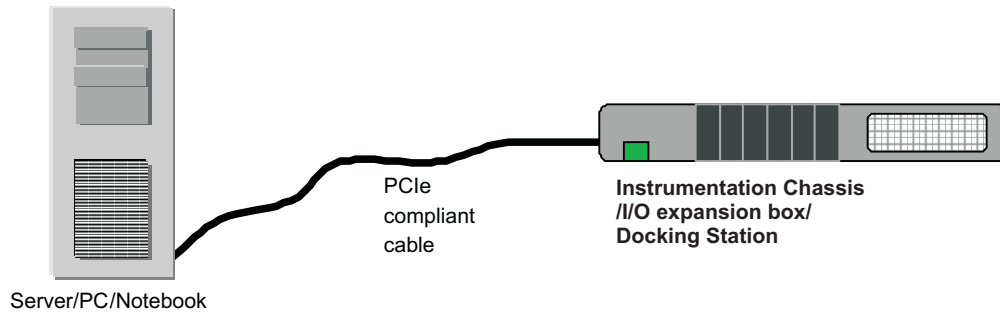


Figure 1. SN65LVPE501 Typical Applications

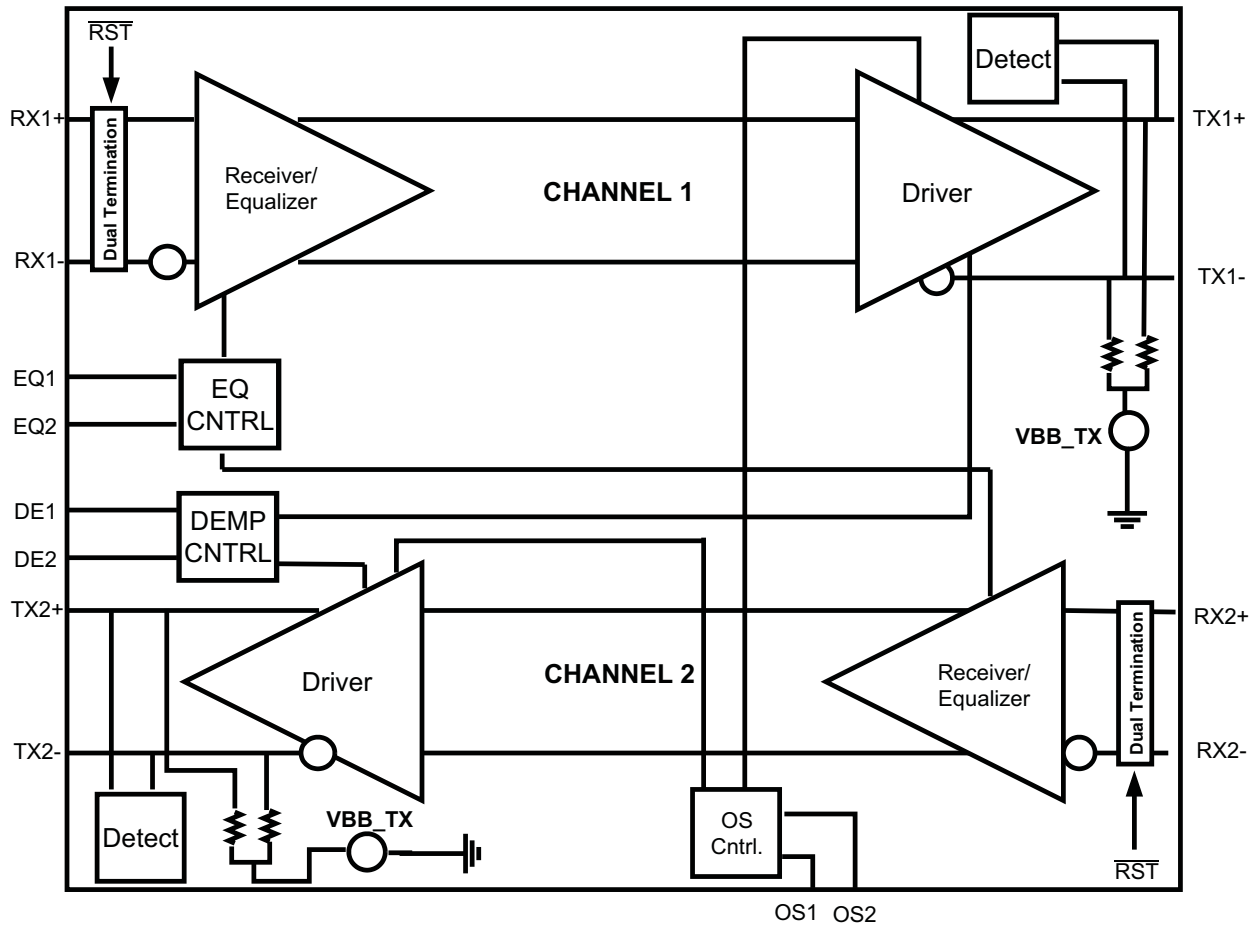
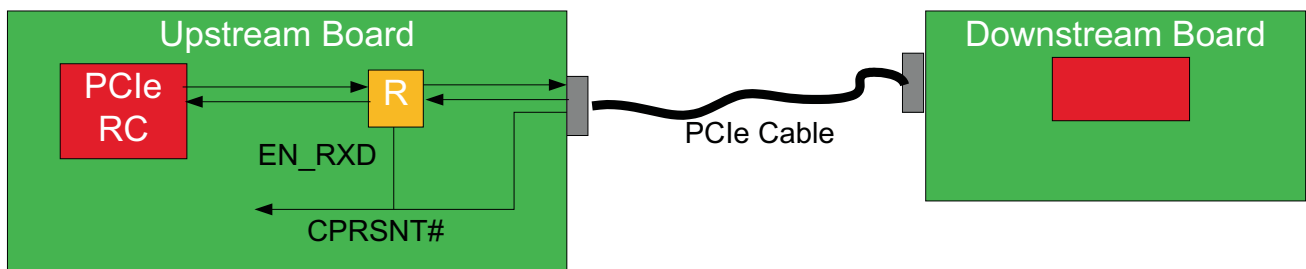


Figure 2. Data Flow Block Diagram

Split System



Enclosed System

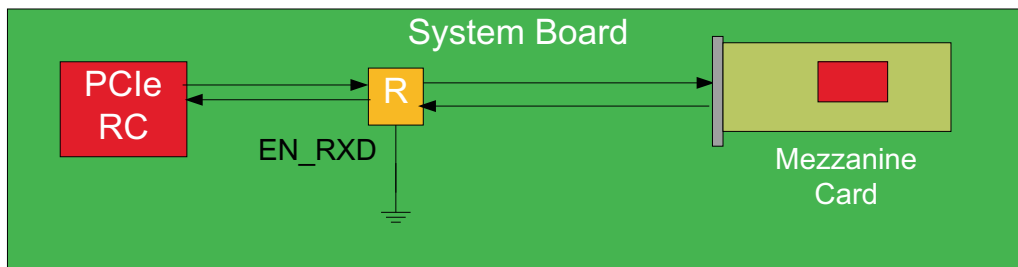


Figure 3. Typical Implementation

Table 1. Pin Description

PIN			
NUMBER	NAME	I/O TYPE	DESCRIPTION
HIGH SPEED DIFFERENTIAL I/O PINS			
8	RX1+	I, CML	Non-inverting and inverting CML differential input for CH 1 and CH 2. These pins are tied to an internal voltage bias by dual termination resistor circuit.
9	RX1–	I, CML	
20	RX2+	I, CML	
19	RX2–	I, CML	
23	TX1+	O, CML	Non-inverting and inverting CML differential output for CH 1 and CH 2. These pins are internally tied to voltage bias by termination resistors.
22	TX1–	O, CML	
11	TX2+	O, CML	
12	TX2–	O, CML	
DEVICE CONTROL PIN⁽¹⁾			
5	EN_RXD	I, LVCMOS	Sets device operation modes per Table 2 . Internally pulled to VCC
14	PS	I, LVCMOS	Select auto-low power save mode per Table 2 . Internally pulled to GND
7	$\overline{\text{RST}}$	I, LVCMOS	Reset device, input active Low. Internally pulled to VCC
24	RSVD	I, LVCMOS	Reserved for factory test. Must be connected to GND
SIGNAL CONTROL PINS⁽²⁾			
3,16	DE1, DE2	I, LVCMOS	Selects de-emphasis settings for CH 1 and CH 2 per Table 2 . Internally tied to $V_{CC}/2$
2,17	EQ1, EQ2	I, LVCMOS	Selects equalization settings for CH 1 and CH 2 per Table 2 . Internally tied to $V_{CC}/2$
4, 15	OS1, OS2	I, LVCMOS	Selects output amplitude for CH 1 and CH 2 per Table 2 . Internally tied to $V_{CC}/2$
POWER PINS			
1,13	VCC	Power	Positive supply should be $3.3V \pm 10\%$
6,10,18,21	GND	Power	Supply ground

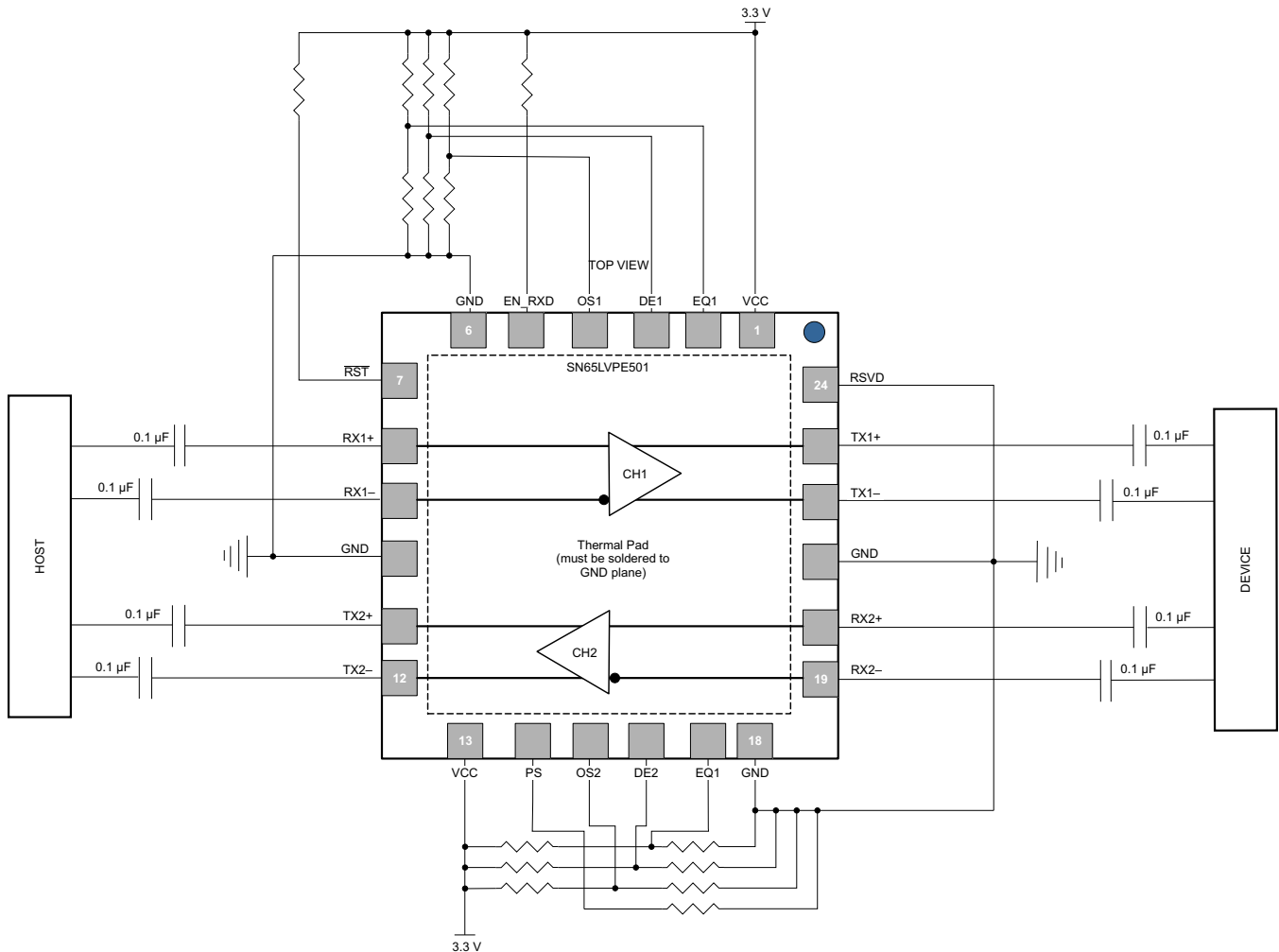
(1) When not used can be left as NC or connected to V_{CC}/GND via 4.7k Ω resistor.

(2) Internally biased to $V_{CC}/2$ with >200k Ω pullup/pulldown. When 3-state pins are left as NC board leakage at the pin pad must be <1 μA otherwise drive to $V_{CC}/2$ to assert mid-level state.

Table 2. Signal Control Pin Setting

OS_x		TRANSITION BIT AMPLITUDE (TYP mVpp)	
NC		1000	
0		875	
1		1100	
DEx⁽¹⁾	OS_x⁽¹⁾ = NC	OS_x⁽¹⁾ = 0	OS_x⁽¹⁾ = 1
NC	–3.7 dB	–2.5 dB	–4.6 dB
0	–6.4 dB	–5.5 dB	–6.6 dB
1	–9.4 dB	–9.5 dB	–8.7 dB
EQ_x⁽¹⁾		EQUALIZATION dB (At GenII Speed)	
NC		0	
0		7	
1		15	
EN_RXD		DEVICE FUNCTION	
0		Set input termination to Z _{DC_RX} and disable Rx. Detect	
1		Perform Rx.Detect (default , internally pulled to Vcc)	
RST		DEVICE FUNCTION	
0		Device in quiescent state and inputs set to Hi-Z	
1		Device not in shut_down mode (default , internally pulled to Vcc)	
PS		DEVICE FUNCTION	
0		Auto-low power mode disabled (default , internally pulled to GND)	
1		Auto-low power mode enabled	

(1) Applies to Channel 1 and Channel 2 at 2.5 GHz.



- (1) This is a reference example and it is not intended to represent the best configuration; every designer should select the EQ and DE settings that better fits the system needs. All DEx, EQx and OSx pins default to NC.
- (2) The recommended value for all the resistors shown in the Figure is 4.9K Ω.
- (3) For terminals OSx, DEx, and EQx, populate only pull-up or only pull-down according to the desired setting.

Figure 4. Reference Device Implementation

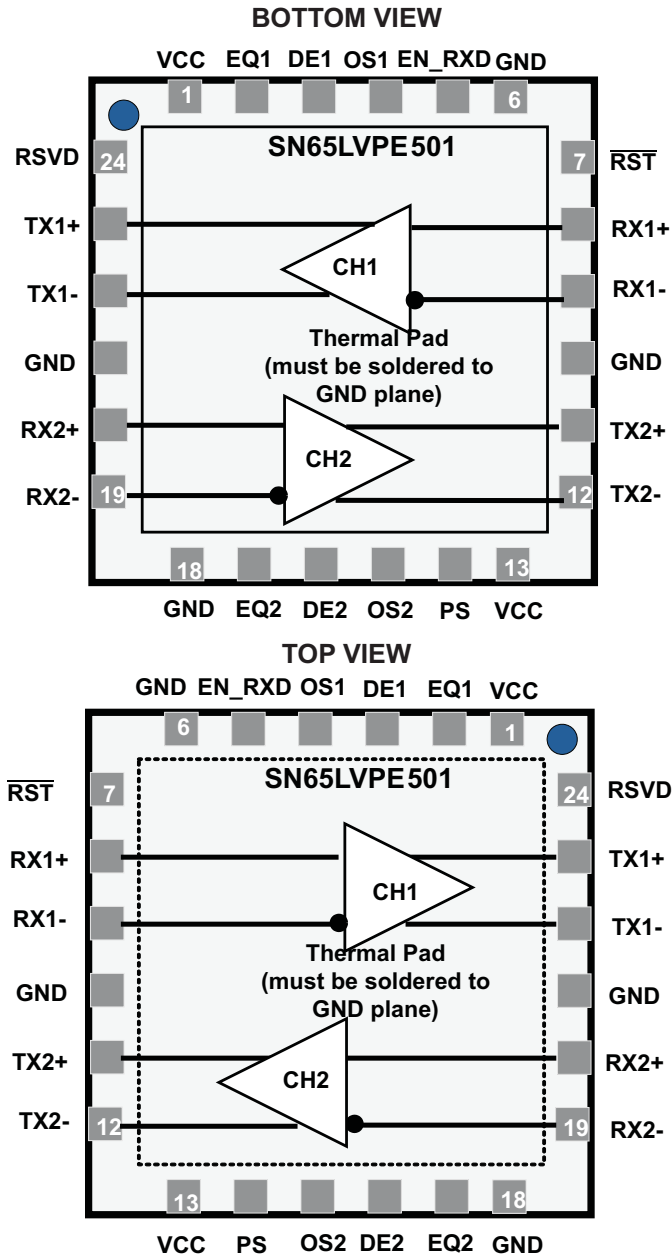


Figure 5. Flow-Through Pin-Out

ORDERING INFORMATION⁽¹⁾

PART NUMBER	PART MARKING	PCAKAGE
SN65LVPE501RGER	LVPE501	24-pin RGE Reel (large)
SN65LVPE501RGET	LVPE501	24-pin RGE Reel (small)

(1) For the most current package and ordering information, see the Package Option Addendum at the end of this document, or see the TI web site at www.ti.com.

ABSOLUTE MAXIMUM RATINGS

over operating free-air temperature range (unless otherwise noted)⁽¹⁾

		UNIT / VALUES
Supply Voltage Range ⁽²⁾	V _{CC}	–0.5 V to 4 V
Voltage Range	Differential I/O	–0.5V to 4 V
	Control I/O	–0.5 V to V _{CC} + 0.5
Electrostatic Discharge	(Human Body Model) QSS 009-105 (JESD22-A114B)	±3000 V
	(Charged Device Model) QSS 009-147 (JESD22-C101-A)	±1500 V
	(Machine Model) JESD22-A115-A	±200 V
Continuous power dissipation		See Thermal Information Table

- (1) Stresses beyond those listed under absolute maximum ratings may cause permanent damage to the device. These are stress ratings only and functional operation of the device at these or any conditions beyond those indicated under recommended operating conditions is not implied. Exposure to absolute-maximum-rated conditions for extended periods may affect device reliability.
- (2) All voltage values, except differential voltages, are with respect to network ground terminal.

THERMAL INFORMATION

THERMAL METRIC ⁽¹⁾		SN65LVPE501	UNITS
		RGE	
		24 PINS	
θ_{JA}	Junction-to-ambient thermal resistance ⁽²⁾	46	°C/W
$\theta_{JC(TOP)}$	Junction-to-case(top) thermal resistance ⁽³⁾	42	
θ_{JB}	Junction-to-board thermal resistance ⁽⁴⁾	13	
ψ_{JT}	Junction-to-top characterization parameter ⁽⁵⁾	0.5	
ψ_{JB}	Junction-to-board characterization parameter ⁽⁶⁾	9	
$\theta_{JC(BOTTOM)}$	Junction-to-case(bottom) thermal resistance ⁽⁷⁾	4	

- (1) For more information about traditional and new thermal metrics, see the *IC Package Thermal Metrics* application report, [SPRA953](#).
- (2) The junction-to-ambient thermal resistance under natural convection is obtained in a simulation on a JEDEC-standard, high-K board, as specified in JESD51-7, in an environment described in JESD51-2a.
- (3) The junction-to-case (top) thermal resistance is obtained by simulating a cold plate test on the package top. No specific JEDEC-standard test exists, but a close description can be found in the ANSI SEMI standard G30-88.
- (4) The junction-to-board thermal resistance is obtained by simulating in an environment with a ring cold plate fixture to control the PCB temperature, as described in JESD51-8.
- (5) The junction-to-top characterization parameter, ψ_{JT} , estimates the junction temperature of a device in a real system and is extracted from the simulation data for obtaining θ_{JA} , using a procedure described in JESD51-2a (sections 6 and 7).
- (6) The junction-to-board characterization parameter, ψ_{JB} , estimates the junction temperature of a device in a real system and is extracted from the simulation data for obtaining θ_{JA} , using a procedure described in JESD51-2a (sections 6 and 7).
- (7) The junction-to-case (bottom) thermal resistance is obtained by simulating a cold plate test on the exposed (power) pad. No specific JEDEC standard test exists, but a close description can be found in the ANSI SEMI standard G30-88.

RECOMMENDED OPERATING CONDITIONS

over operating free-air temperature range (unless otherwise noted)

		MIN	TYP	MAX	UNIT
V _{CC}	Supply Voltage	3	3.3	3.6	V
C _{COUPLING}	AC Coupling Capacitor	75		200	nF
	Operating free-air temperature	-40		85	°C

ELECTRICAL CHARACTERISTICS

over operating free-air temperature range (unless otherwise noted)

PARAMETER		TEST CONDITIONS	MIN	TYP	MAX	UNIT
DEVICE PARAMETERS (under recommended operating conditions, unless otherwise noted)						
I _{CC}	Supply Current	$\overline{\text{RST}}$, DE _x , EQ _x , OS _x = NC, EN_RXD = NC, K28.5 pattern at 5 Gbps, V _{ID} = 1000mV _{p-p}		101	120	mA
ICC _{idle}		PS=1; When auto-low power conditions are met		21	26	
ICC _{shut-down}		$\overline{\text{RST}}$ = GND		0.2	1	
ICC _{RX.Detect}		$\overline{\text{RST}}$, EN_RXD = NC		2		
	Maximum Data Rate				5	Gbps
AutoLP _{ENTRY}	Auto Low Power Entry Time	Electrical Idle at Input, Refer to Figure 9	1.0	1.3		µs
AutoLP _{EXIT}	Auto Low Power Exit Time	After first signal activity, Refer to Figure 9		15	30	ns
t _{PU}	Power Up Time	Rx_Detect Start Event, V _{cc} = Stable $\overline{\text{RST}}$, EN_RXD = H		15	30	µs
t _{DIS}	Sleep (shut-down) Mode Entry Time	$\overline{\text{RST}}$ H→L; EN_RXD=X			1	µs
T _{ENB}	Sleep (shut-down) Mode Exit Time	$\overline{\text{RST}}$ L→H; EN_RXD=H, Start of Ex detect event			10	µs
CONTROL LOGIC (under recommended operating conditions, unless otherwise noted)						
V _{IH}	High level Input Voltage		1.4		V _{CC}	V
V _{IL}	Low Level Input Voltage		-0.3		0.5	V
V _{HYS}	Input Hysteresis			150		mV
I _{IH}	High Level Input Current	OS _x , EQ _x , DE _x = V _{CC}			30	µA
		EN_RXD, $\overline{\text{RST}}$ = V _{CC}			1	
I _{IL}	Low Level Input Current	OS _x , EQ _x , DE _x = GND		-30		µA
		PS = GND		-1		
		EN_RXD, $\overline{\text{RST}}$ = GND		-20		
RECEIVER AC/DC (under recommended operating conditions, unless otherwise noted)						
V _{in_diff_pp}	RX1, RX2 Input Voltage Swing	AC coupled differential signal	100		1200	mVp-p
V _{CM_RX}	RX1, RX2 Common Mode Voltage		0		3.6	V
V _{in_COM_P}	RX1, RX2 AC Peak common mode voltage				150	mVP
Z _{DC_RX}	DC single ended impedance		40	50	60	Ω
Z _{diff_RX}	DC Differential Input impedance		80	100	120	Ω
Z _{RX_High_IMP+}	DC Input High Impedance	Device in sleep mode Rx termination not powered; Measured with respect to GND over 200mV max	50	74		kΩ
V _{EID_TH}	Electrical Idle Detect Threshold	Measured at receiver pin (see Figure 7)	65	84	175	mVpp
RL _{RX-DIFF}	Differential Return Loss	50 MHz – 1.25 GHz		10		dB
		1.25 GHz – 2.5 GHz	Operating temperature 0°C to 85°C	8		
			Operating temperature -40°C to 85°C	7		
RL _{RX-CM}	Common Mode Return Loss	50 MHz – 2.5 GHz		10		dB

ELECTRICAL CHARACTERISTICS (continued)

over operating free-air temperature range (unless otherwise noted)

PARAMETER		TEST CONDITIONS	MIN	TYP	MAX	UNIT	
TRANSMITTER AC/DC (under recommended operating conditions, unless otherwise noted)							
V _{TXDIFF_PP}		R _L = 100Ω ±1%, DEx, OS = NC, Transition Bit	800	1000	1200	mV	
		R _L = 100Ω ±1%, DEx = NC, OSx = GND Transition Bit	875				
		R _L = 100Ω ±1%, DEx = NC, OSx = VCC Transition Bit	1100				
V _{TXDIFF_NTBP}	Differential peak-to-peak Output Voltage	R _L = 100Ω ±1%, DEx=NC, OSx = 0,1,NC Non-Transition Bit	655			mV	
		R _L = 100Ω ±1%, DEx=0, OSx = 0,1,NC Non-Transition Bit	495				
		R _L = 100Ω ±1%, DEx=1, OSx = 0,1, NC Non-Transition Bit	350				
De-Emphasis Level		DEx, OSx = NC, See Figure 11 ; (for OS1,2 = 1 and 0 see Table 2)	Operating temperature 0°C to 85°C	-3.0	-3.7	-4.0	dB
			Operating temperature -40°C to 85°C	-3.0	-3.7	-4.2	
		DEx = 0, OSx = NC	-6.4			dB	
		DEx = 1, OSx = NC	-9.4				
T _{DE}	De-Emphasis Width	At 5Gbps	0.8			UI	
Z _{diff_TX}	DC Differential Impedance	Defined during signaling	80	100	120	Ω	
RL _{diff_TX}	Differential Return Loss	f = 50 MHz – 1.25 GHz.	Operating temperature 0°C to 85°C	10		dB	
			Operating temperature -40°C to 85°C	9.5			
		f = 1.25 GHz – 2.5 GHz,	Operating temperature 0°C to 85°C	6			
			Operating temperature -40°C to 85°C	5.5			
RL _{CM_TX}	Common Mode Return Loss	f = 50 MHz – 2.5 GHz	10		dB		
I _{TX_SC}	TX short circuit current	TX± shorted to GND	60		90	mA	
V _{TX_CM_DC}	Transmitter DC common-mode voltage	Allowed DC CM voltage at TX pins	2.1	2.65	3.1	V	
V _{TX_CM_AC2}	TX AC common mode voltage at GEN II speed	Max(V _{d+} + V _{d-})/2 – Min(V _{d+} + V _{d-})/2	26		100	mVpp	
V _{TX_CM_AC1}	TX AC common mode voltage at GEN I speed		2		20	mV	
V _{TX_CM_DeltaL0-L0s}	Absolute Delta DC CM voltage during active and idle states	V _{TX_CM_DC [L0]} – V _{TX_CM_DC [L0s]} , PS=L	0		100	mV	
V _{TX_CM-DC-Line-Delta}	Absolute Delta of DC CM voltage between D+ and D-	V _{TX_CM_DC-D+ [L0]} – V _{TX_CM_DC-D- [L0]}	0		25	mV	
V _{TX_idle_diff-AC-p}	Electrical idle differential peak output voltage	V _{TX-idle-D+} – V _{TX-idle-D-} HP filtered to remove any DC component	0	1	10	mVpp	
V _{TX_idle_diff-DC}	DC Electrical idle differential output voltage	V _{TX_idle-D+} – V _{TX_idle-D-} LP filtered to remove any AC component	3.5			mV	
V _{detect}	Voltage change to allow receiver detect	Positive voltage to sense receiver			600	mV	
t _{R,tF}	Output Rise/Fall time	DEx = NC, OS = NC (CH 0 and CH 1) 20%-80% of differential voltage at the output; VID > 1000mVpp	30	53		ps	
t _{RF_MM}	Output Rise/Fall time mismatch	DEx = NC, OS = NC (CH 0 and CH 1) 20%-80% of differential voltage at the output	1		20	ps	
T _{diff_LH} , T _{diff_HL}	Differential Propagation Delay	DEx = NC (CH 0 and CH 1). Propagation delay between 50% level at input and output. See Figure 6	280	330		ps	
t _{idleEntry} t _{idleExit}	Idle entry and exit times	See Figure 7	4		6	ns	
Tx EQUALIZATION at GEN II Speed (under recommended operating conditions)							
T _{TX-TJ} ⁽¹⁾	Total Jitter	At point A in Figure 10 ⁽²⁾	30		50	ps pp	
		At point B in Figure 10 ⁽²⁾	25		80		
T _{TX-DJ}	Deterministic Jitter	At point A in Figure 10 ⁽²⁾	16		30	ps pp	
		At point B in Figure 10 ⁽²⁾	11		60		

 (1) Includes RJ at 10⁻¹²

(2) Refer to Figure 10 with ± K28.5 pattern at 5Gbps, -3.5dB DE from source AWG .

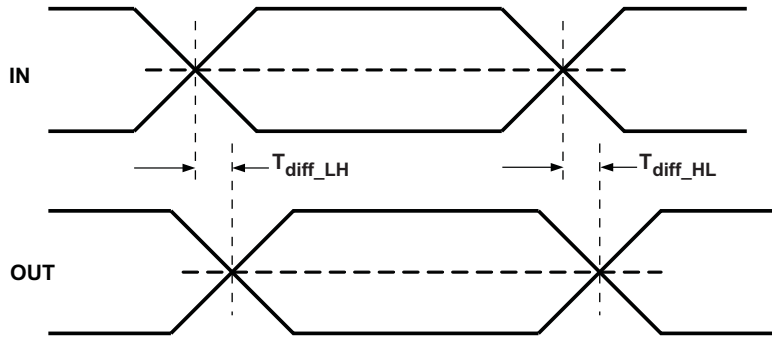


Figure 6. Propagation Delay

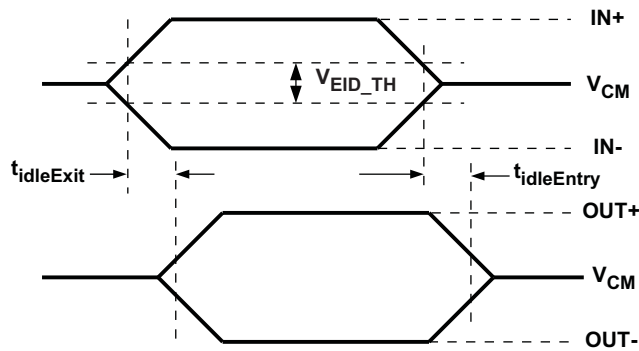


Figure 7. Idle Mode Exit and Entry Delay

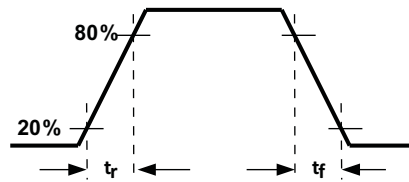


Figure 8. Output Rise and Fall Times

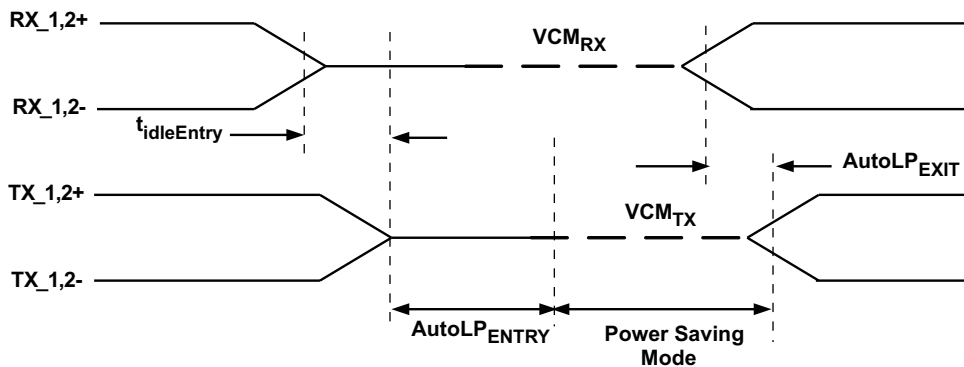


Figure 9. Auto Low Power Mode Timing (when enabled)

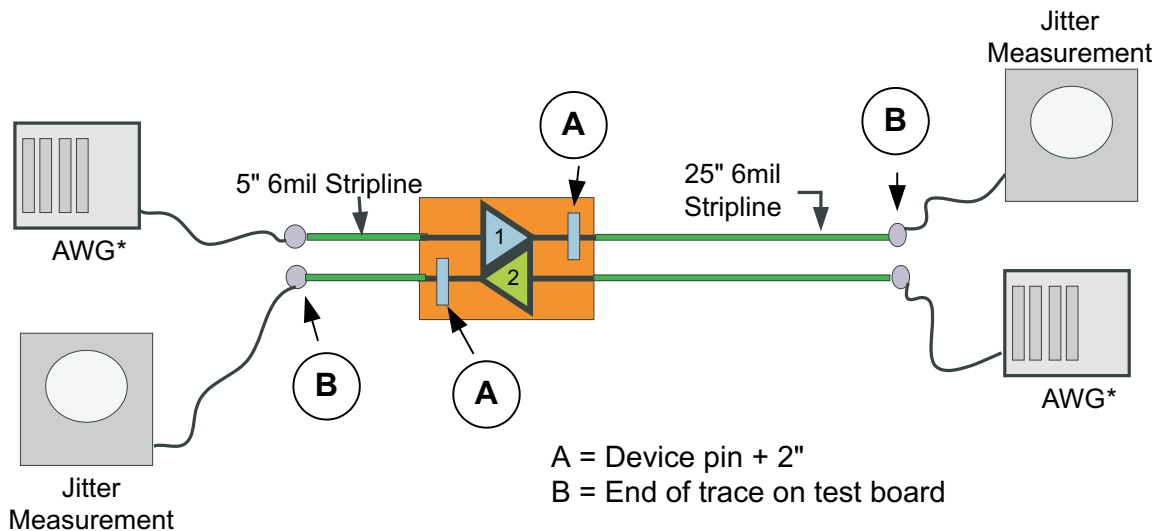


Figure 10. Jitter Measurement Setup

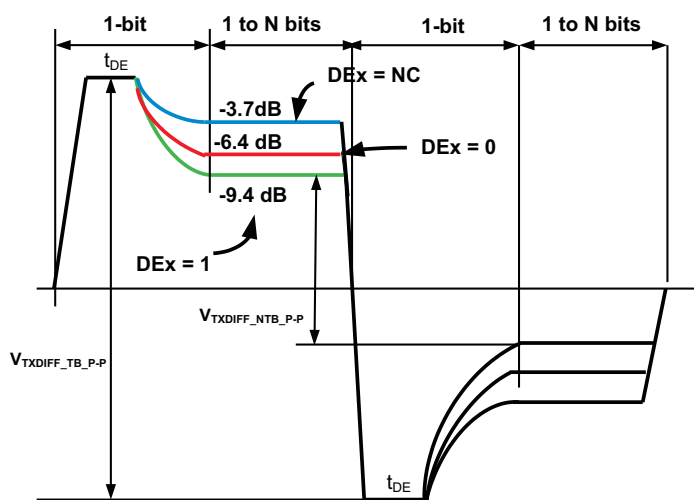


Figure 11. Output De-Emphasis Levels OSx = NC

Typical Eye Diagram and Performance Curves at Output

Input Signal Characteristics: Data Rate = 5 Gbps, $V_{ID} = 1000$ mVpp, DE = -3.5 dB, Pattern = K28.5

Device Operating Conditions: $V_{CC} = 3.3$ V, Temp = 25°C

Device EQ settings (EQ/DE/OS) adjusted for best eye performance

Output Trace Length Held Constant and Input Trace Length Varied

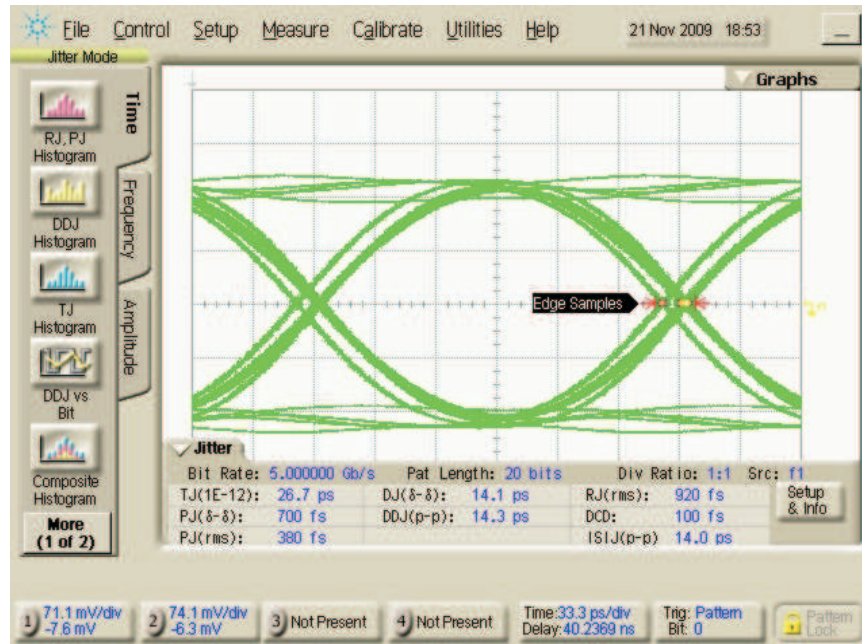


Figure 12. Input Trace = 4 Inches, 6 mil, and Measured at Output Trace = 4 Inches

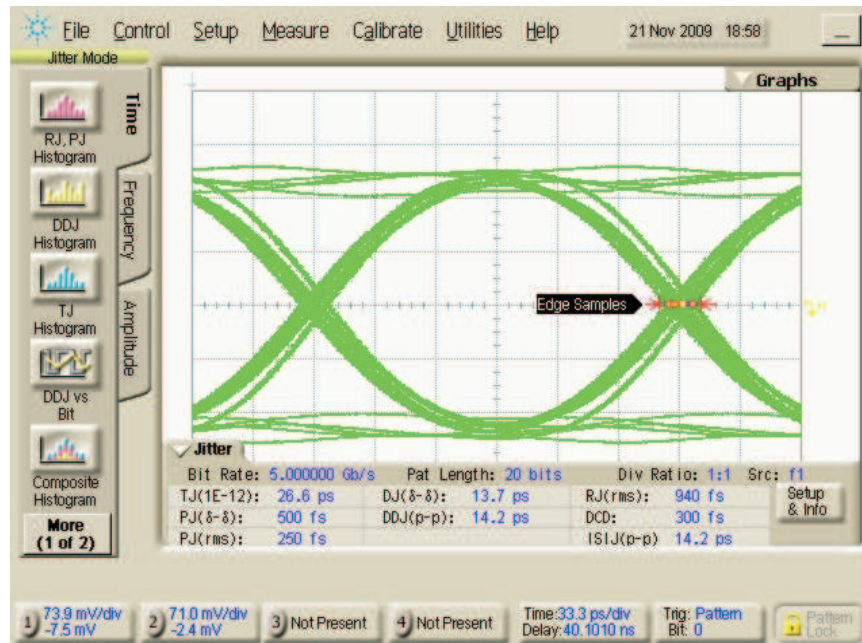


Figure 13. Input Trace = 20 Inches, 6 mil, and Measured at Output Trace = 4 Inches

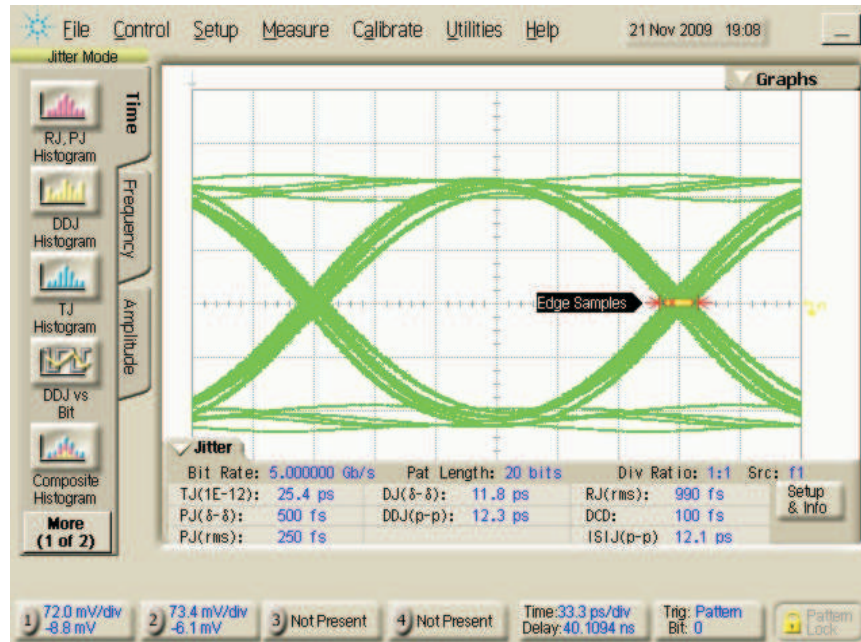


Figure 14. Input Trace = 32 Inches, 6 mil, and Measured at Output Trace = 4 Inches

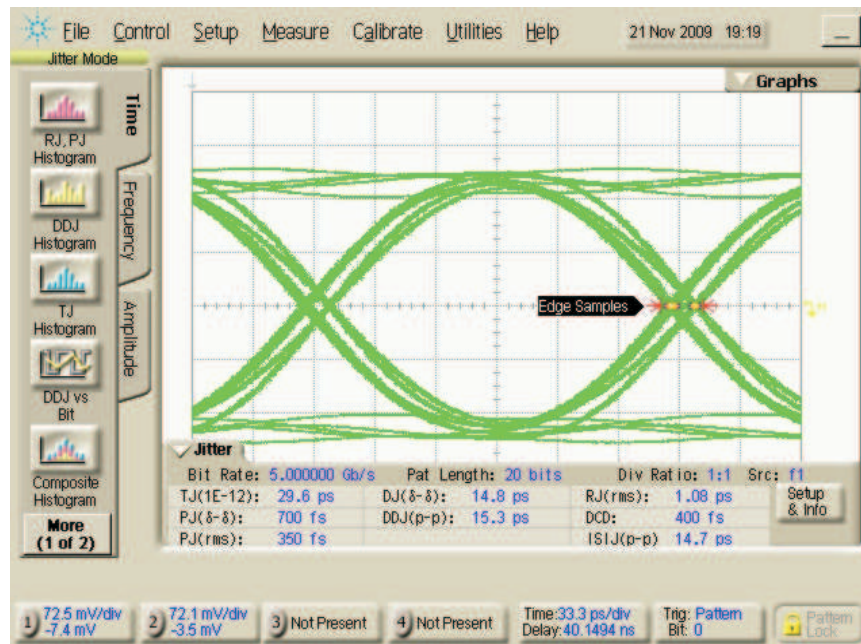


Figure 15. Input Trace = 44 Inches, 6 mil, and Measured at Output Trace = 4 Inches

Variable Trace Lengths at Input and Output

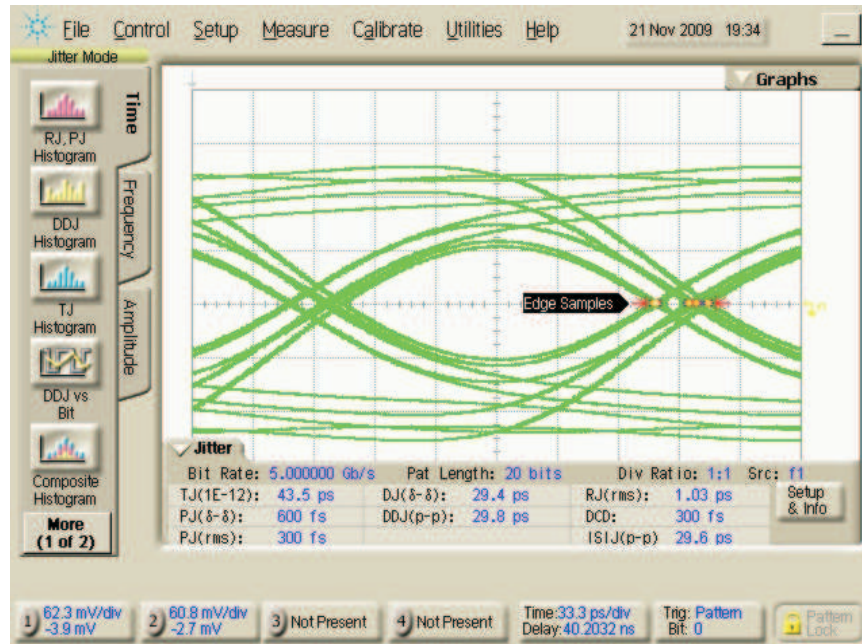


Figure 16. Input Trace = 28 Inches, 6 mil, and Measured at Output Trace = 24 Inches

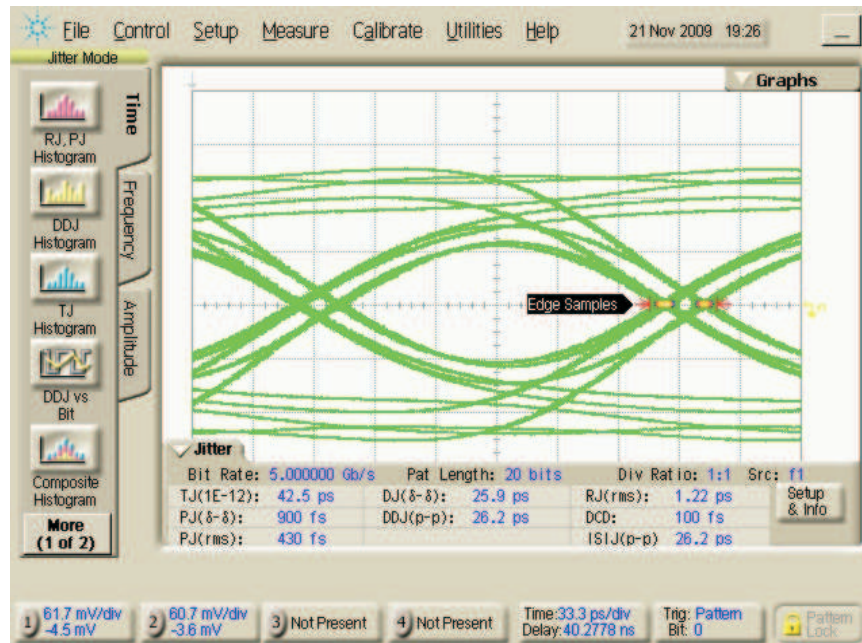


Figure 17. Input Trace = 44 Inches, 6 mil, and Measured at Output Trace = 24 Inches

REVISION HISTORY

Changes from Original (May 2010) to Revision A	Page
• Added Figure 4	7

PACKAGING INFORMATION

Orderable Device	Status ⁽¹⁾	Package Type	Package Drawing	Pins	Package Qty	Eco Plan ⁽²⁾	Lead/ Ball Finish	MSL Peak Temp ⁽³⁾	Samples (Requires Login)
SN65LVPE501RGER	ACTIVE	VQFN	RGE	24	3000	Green (RoHS & no Sb/Br)	CU NIPDAU	Level-2-260C-1 YEAR	
SN65LVPE501RGET	ACTIVE	VQFN	RGE	24	250	Green (RoHS & no Sb/Br)	CU NIPDAU	Level-2-260C-1 YEAR	

⁽¹⁾ The marketing status values are defined as follows:

ACTIVE: Product device recommended for new designs.

LIFEBUY: TI has announced that the device will be discontinued, and a lifetime-buy period is in effect.

NRND: Not recommended for new designs. Device is in production to support existing customers, but TI does not recommend using this part in a new design.

PREVIEW: Device has been announced but is not in production. Samples may or may not be available.

OBSOLETE: TI has discontinued the production of the device.

⁽²⁾ Eco Plan - The planned eco-friendly classification: Pb-Free (RoHS), Pb-Free (RoHS Exempt), or Green (RoHS & no Sb/Br) - please check <http://www.ti.com/productcontent> for the latest availability information and additional product content details.

TBD: The Pb-Free/Green conversion plan has not been defined.

Pb-Free (RoHS): TI's terms "Lead-Free" or "Pb-Free" mean semiconductor products that are compatible with the current RoHS requirements for all 6 substances, including the requirement that lead not exceed 0.1% by weight in homogeneous materials. Where designed to be soldered at high temperatures, TI Pb-Free products are suitable for use in specified lead-free processes.

Pb-Free (RoHS Exempt): This component has a RoHS exemption for either 1) lead-based flip-chip solder bumps used between the die and package, or 2) lead-based die adhesive used between the die and leadframe. The component is otherwise considered Pb-Free (RoHS compatible) as defined above.

Green (RoHS & no Sb/Br): TI defines "Green" to mean Pb-Free (RoHS compatible), and free of Bromine (Br) and Antimony (Sb) based flame retardants (Br or Sb do not exceed 0.1% by weight in homogeneous material)

⁽³⁾ MSL, Peak Temp. -- The Moisture Sensitivity Level rating according to the JEDEC industry standard classifications, and peak solder temperature.

Important Information and Disclaimer: The information provided on this page represents TI's knowledge and belief as of the date that it is provided. TI bases its knowledge and belief on information provided by third parties, and makes no representation or warranty as to the accuracy of such information. Efforts are underway to better integrate information from third parties. TI has taken and continues to take reasonable steps to provide representative and accurate information but may not have conducted destructive testing or chemical analysis on incoming materials and chemicals. TI and TI suppliers consider certain information to be proprietary, and thus CAS numbers and other limited information may not be available for release.

In no event shall TI's liability arising out of such information exceed the total purchase price of the TI part(s) at issue in this document sold by TI to Customer on an annual basis.

TAPE AND REEL INFORMATION

REEL DIMENSIONS



TAPE DIMENSIONS



A0	Dimension designed to accommodate the component width
B0	Dimension designed to accommodate the component length
K0	Dimension designed to accommodate the component thickness
W	Overall width of the carrier tape
P1	Pitch between successive cavity centers

TAPE AND REEL INFORMATION

*All dimensions are nominal

Device	Package Type	Package Drawing	Pins	SPQ	Reel Diameter (mm)	Reel Width W1 (mm)	A0 (mm)	B0 (mm)	K0 (mm)	P1 (mm)	W (mm)	Pin1 Quadrant
SN65LVPE501RGER	VQFN	RGE	24	3000	330.0	12.4	4.25	4.25	1.15	8.0	12.0	Q2
SN65LVPE501RGET	VQFN	RGE	24	250	180.0	12.4	4.25	4.25	1.15	8.0	12.0	Q2

TAPE AND REEL BOX DIMENSIONS


*All dimensions are nominal

Device	Package Type	Package Drawing	Pins	SPQ	Length (mm)	Width (mm)	Height (mm)
SN65LVPE501RGER	VQFN	RGE	24	3000	367.0	367.0	35.0
SN65LVPE501RGET	VQFN	RGE	24	250	210.0	185.0	35.0

RGE (S-PVQFN-N24)

PLASTIC QUAD FLATPACK NO-LEAD



4204104/G 07/11

- NOTES:
- All linear dimensions are in millimeters. Dimensioning and tolerancing per ASME Y14.5M-1994.
 - This drawing is subject to change without notice.
 - Quad Flatpack, No-Leads (QFN) package configuration.
 - The package thermal pad must be soldered to the board for thermal and mechanical performance.
 - See the additional figure in the Product Data Sheet for details regarding the exposed thermal pad features and dimensions.
 - Falls within JEDEC MO-220.

THERMAL PAD MECHANICAL DATA

RGE (S-PVQFN-N24)

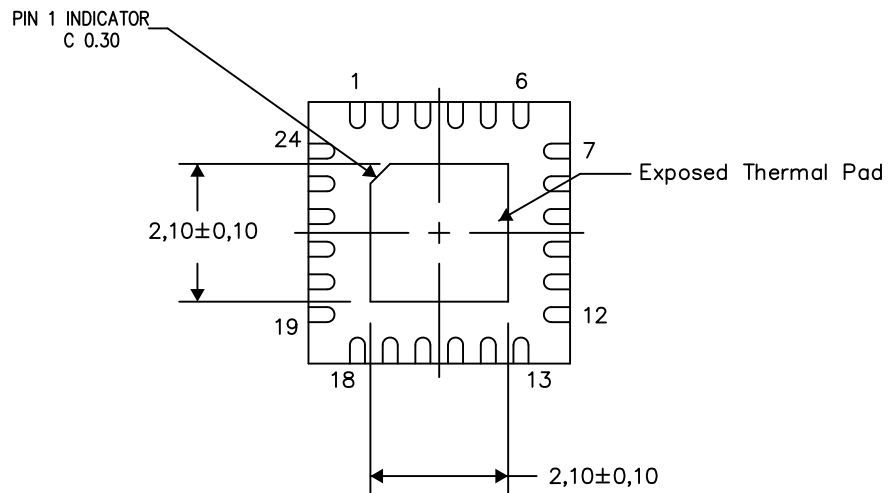
PLASTIC QUAD FLATPACK NO-LEAD

THERMAL INFORMATION

This package incorporates an exposed thermal pad that is designed to be attached directly to an external heatsink. The thermal pad must be soldered directly to the printed circuit board (PCB). After soldering, the PCB can be used as a heatsink. In addition, through the use of thermal vias, the thermal pad can be attached directly to the appropriate copper plane shown in the electrical schematic for the device, or alternatively, can be attached to a special heatsink structure designed into the PCB. This design optimizes the heat transfer from the integrated circuit (IC).

For information on the Quad Flatpack No-Lead (QFN) package and its advantages, refer to Application Report, QFN/SON PCB Attachment, Texas Instruments Literature No. SLUA271. This document is available at www.ti.com.

The exposed thermal pad dimensions for this package are shown in the following illustration.



Bottom View

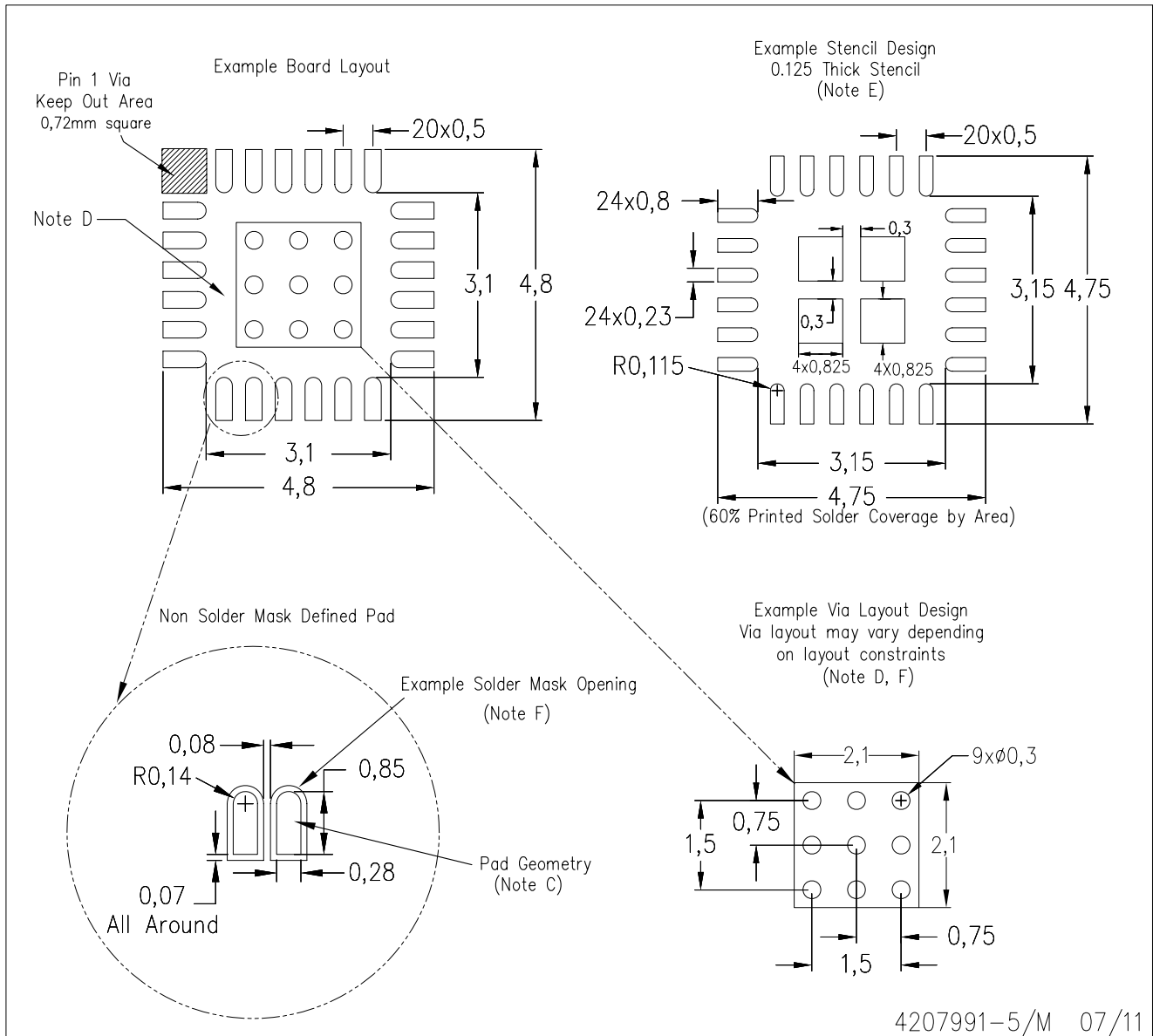
Exposed Thermal Pad Dimensions

4206344-6/AA 04/12

NOTES: A. All linear dimensions are in millimeters

RGE (S-PVQFN-N24)

PLASTIC QUAD FLATPACK NO-LEAD



- NOTES:
- All linear dimensions are in millimeters.
 - This drawing is subject to change without notice.
 - Publication IPC-7351 is recommended for alternate designs.
 - This package is designed to be soldered to a thermal pad on the board. Refer to Application Note, Quad Flat-Pack Packages, Texas Instruments Literature No. SLUA271, and also the Product Data Sheets for specific thermal information, via requirements, and recommended board layout. These documents are available at www.ti.com <<http://www.ti.com>>.
 - Laser cutting apertures with trapezoidal walls and also rounding corners will offer better paste release. Customers should contact their board assembly site for stencil design recommendations. Refer to IPC 7525 for stencil design considerations.
 - Customers should contact their board fabrication site for recommended solder mask tolerances and via tenting recommendations for vias placed in the thermal pad.

IMPORTANT NOTICE

Texas Instruments Incorporated and its subsidiaries (TI) reserve the right to make corrections, enhancements, improvements and other changes to its semiconductor products and services per JESD46C and to discontinue any product or service per JESD48B. Buyers should obtain the latest relevant information before placing orders and should verify that such information is current and complete. All semiconductor products (also referred to herein as "components") are sold subject to TI's terms and conditions of sale supplied at the time of order acknowledgment.

TI warrants performance of its components to the specifications applicable at the time of sale, in accordance with the warranty in TI's terms and conditions of sale of semiconductor products. Testing and other quality control techniques are used to the extent TI deems necessary to support this warranty. Except where mandated by applicable law, testing of all parameters of each component is not necessarily performed.

TI assumes no liability for applications assistance or the design of Buyers' products. Buyers are responsible for their products and applications using TI components. To minimize the risks associated with Buyers' products and applications, Buyers should provide adequate design and operating safeguards.

TI does not warrant or represent that any license, either express or implied, is granted under any patent right, copyright, mask work right, or other intellectual property right relating to any combination, machine, or process in which TI components or services are used. Information published by TI regarding third-party products or services does not constitute a license to use such products or services or a warranty or endorsement thereof. Use of such information may require a license from a third party under the patents or other intellectual property of the third party, or a license from TI under the patents or other intellectual property of TI.

Reproduction of significant portions of TI information in TI data books or data sheets is permissible only if reproduction is without alteration and is accompanied by all associated warranties, conditions, limitations, and notices. TI is not responsible or liable for such altered documentation. Information of third parties may be subject to additional restrictions.

Resale of TI components or services with statements different from or beyond the parameters stated by TI for that component or service voids all express and any implied warranties for the associated TI component or service and is an unfair and deceptive business practice. TI is not responsible or liable for any such statements.

Buyer acknowledges and agrees that it is solely responsible for compliance with all legal, regulatory and safety-related requirements concerning its products, and any use of TI components in its applications, notwithstanding any applications-related information or support that may be provided by TI. Buyer represents and agrees that it has all the necessary expertise to create and implement safeguards which anticipate dangerous consequences of failures, monitor failures and their consequences, lessen the likelihood of failures that might cause harm and take appropriate remedial actions. Buyer will fully indemnify TI and its representatives against any damages arising out of the use of any TI components in safety-critical applications.

In some cases, TI components may be promoted specifically to facilitate safety-related applications. With such components, TI's goal is to help enable customers to design and create their own end-product solutions that meet applicable functional safety standards and requirements. Nonetheless, such components are subject to these terms.

No TI components are authorized for use in FDA Class III (or similar life-critical medical equipment) unless authorized officers of the parties have executed a special agreement specifically governing such use.

Only those TI components which TI has specifically designated as military grade or "enhanced plastic" are designed and intended for use in military/aerospace applications or environments. Buyer acknowledges and agrees that any military or aerospace use of TI components which have **not** been so designated is solely at the Buyer's risk, and that Buyer is solely responsible for compliance with all legal and regulatory requirements in connection with such use.

TI has specifically designated certain components which meet ISO/TS16949 requirements, mainly for automotive use. Components which have not been so designated are neither designed nor intended for automotive use; and TI will not be responsible for any failure of such components to meet such requirements.

Products

Audio	www.ti.com/audio
Amplifiers	amplifier.ti.com
Data Converters	dataconverter.ti.com
DLP® Products	www.dlp.com
DSP	dsp.ti.com
Clocks and Timers	www.ti.com/clocks
Interface	interface.ti.com
Logic	logic.ti.com
Power Mgmt	power.ti.com
Microcontrollers	microcontroller.ti.com
RFID	www.ti-rfid.com
OMAP Mobile Processors	www.ti.com/omap
Wireless Connectivity	www.ti.com/wirelessconnectivity

Applications

Automotive and Transportation	www.ti.com/automotive
Communications and Telecom	www.ti.com/communications
Computers and Peripherals	www.ti.com/computers
Consumer Electronics	www.ti.com/consumer-apps
Energy and Lighting	www.ti.com/energy
Industrial	www.ti.com/industrial
Medical	www.ti.com/medical
Security	www.ti.com/security
Space, Avionics and Defense	www.ti.com/space-avionics-defense
Video and Imaging	www.ti.com/video

TI E2E Community e2e.ti.com