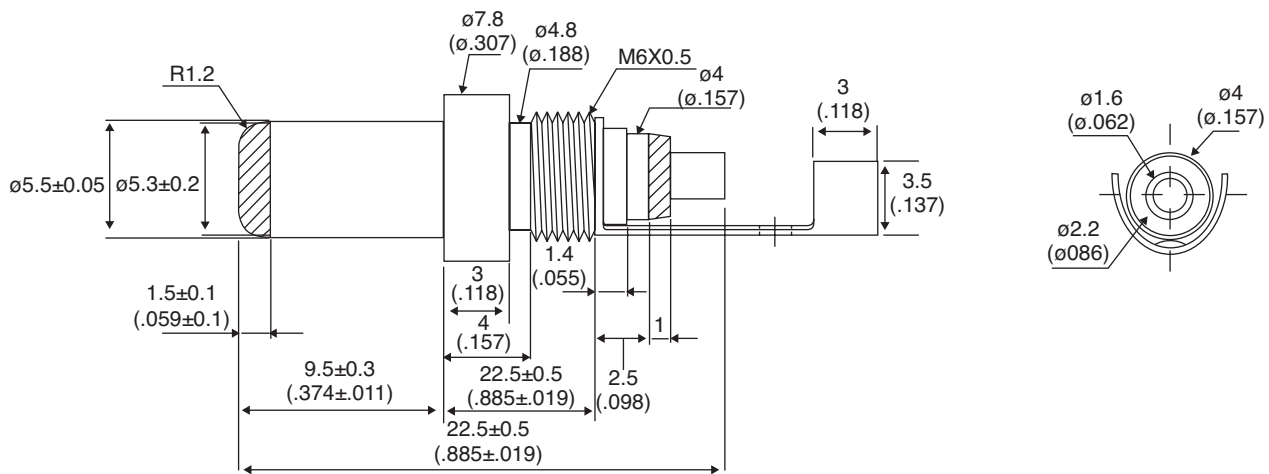
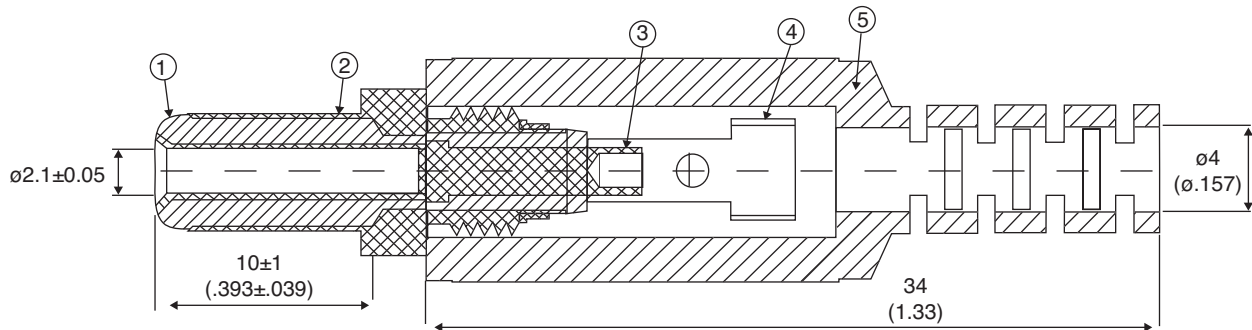


DC Power Plug

171-PA5521-E



DC Power Plug



Dimensions: mm (in.)

SPECIFICATIONS

| | |
|----------------|--------------|
| 1 | POM Black |
| 2 | BRASS NICKEL |
| 3 | BRASS NICKEL |
| 4 | BRASS NICKEL |
| 5 | PVC BLACK |
| RoHS Compliant | |

Electrical Specifications

| | |
|-----------|-------|
| Voltage: | 12VDC |
| Amperage: | 2A |

Date Last Revised: 05/14/07

Available from Mouser Electronics
1-800-346-6873 / www.mouser.com

KC- 301154

Specifications are subject to change without notice. No liability or warranty implied by this information. Environmental compliance based on producer documentation.

171-PA5521-E