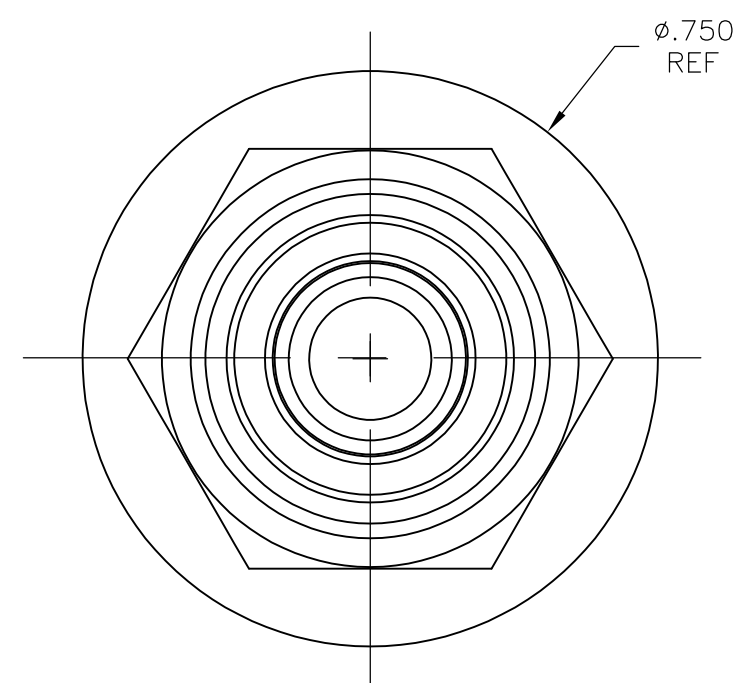
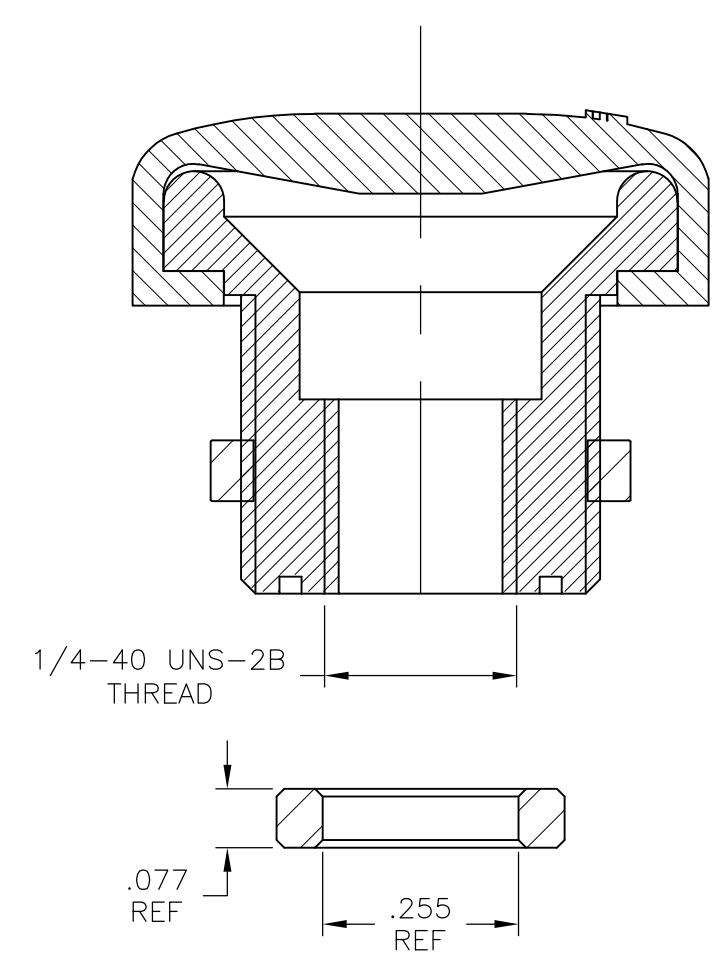
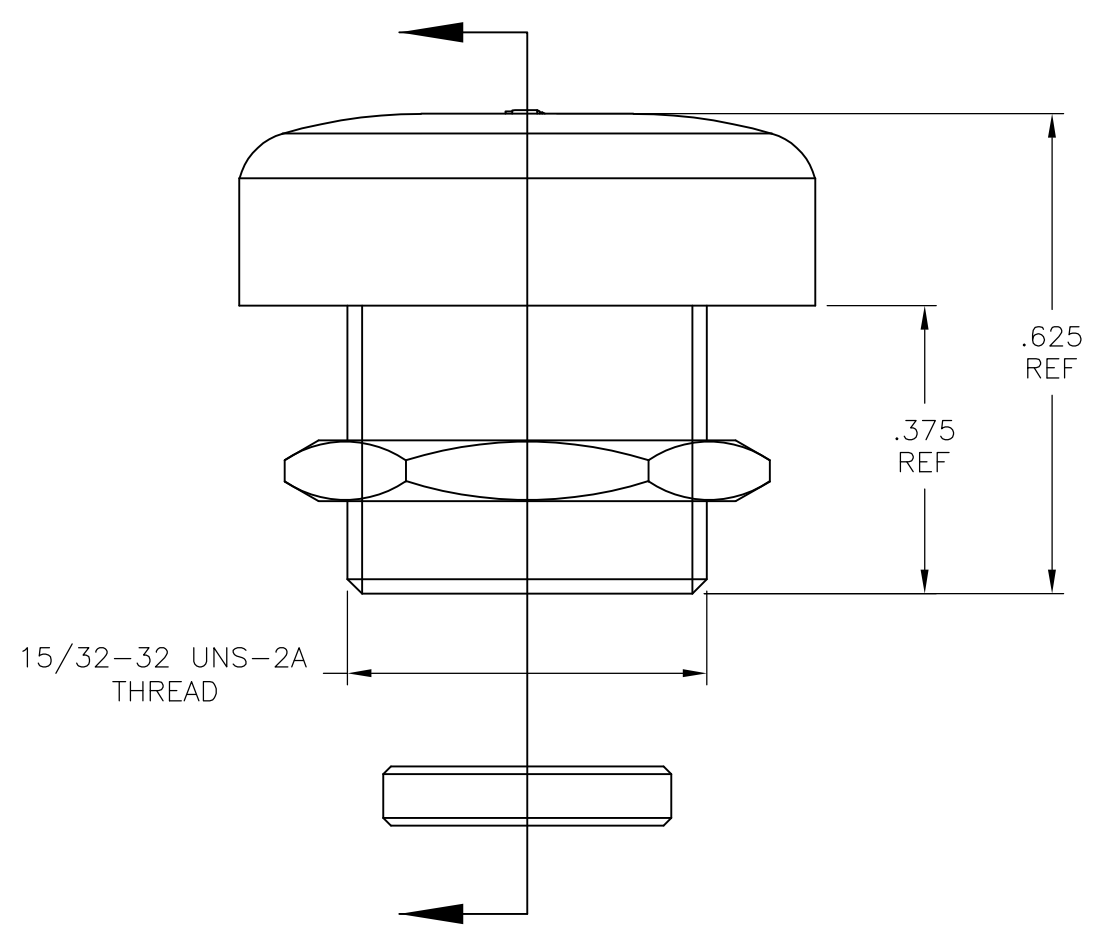
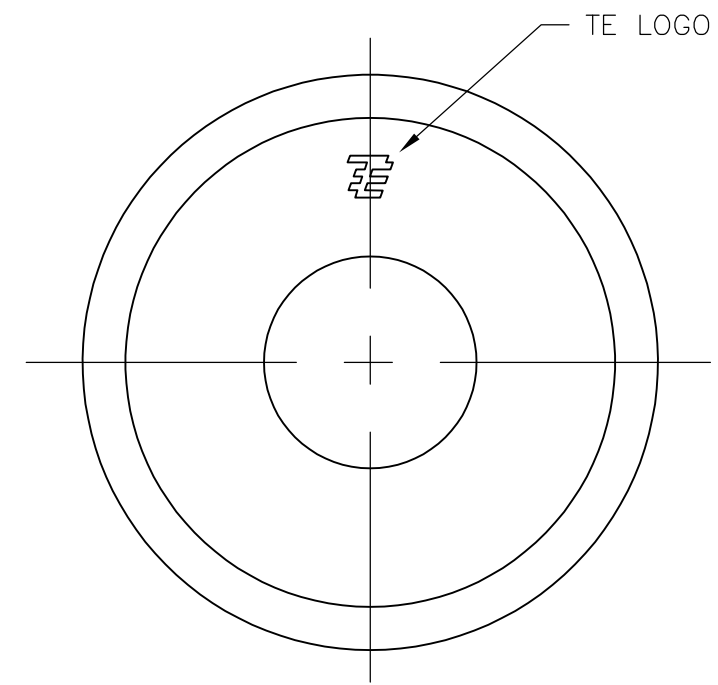


THIS DRAWING IS UNPUBLISHED. RELEASED FOR PUBLICATION  
 © COPYRIGHT - By - ALL RIGHTS RESERVED.

LOC		DIST		REVISIONS			
P	LTR	DESCRIPTION	DATE	DWN	APVD		
C		REVISED PER ECO-12-004223	02MAR12	KH	PO		

- COMPONENTS MUST COMPLY WITH EUROPEAN DIRECTIVE 2002/95/EC ON RESTRICTION OF THE USE OF CERTAIN HAZARDOUS SUBSTANCES IN ELECTRICAL AND ELECTRONICS EQUIPMENT (ROHS DIRECTIVE).
- SUPPLIED WITH JAM NUT ASSEMBLED AND SPACER IN PACKAGE BAG.



BPM1532804	GRAY	SILICONE PER ZZ-R-765, CLASS 3A, GRADE 60	1825618-3
BPM1532204	RED	SILICONE PER ZZ-R-765, CLASS 3A, GRADE 60	1825618-2
BPM1532004	BLACK	SILICONE PER ZZ-R-765, CLASS 3A, GRADE 60	1825618-1
ALCO NUMBER	CAP COLOR	CAP MATERIAL	PART NUMBER

THIS DRAWING IS A CONTROLLED DOCUMENT.

DWN	S SCHLEGEL	22FEB2008
CHK	M WILBOURN	2/22/08
APVD	M WILBOURN	2/22/08
PRODUCT SPEC	NAME	
APPLICATION SPEC	BPM PUSHBUTTON SWITCH SEAL	
WEIGHT	-	SIZE
CUSTOMER DRAWING	A2	CAGE CODE
SCALE	4:1	DRAWING NO
SHEET	1 of 1	RESTRICTED TO
REV	C	