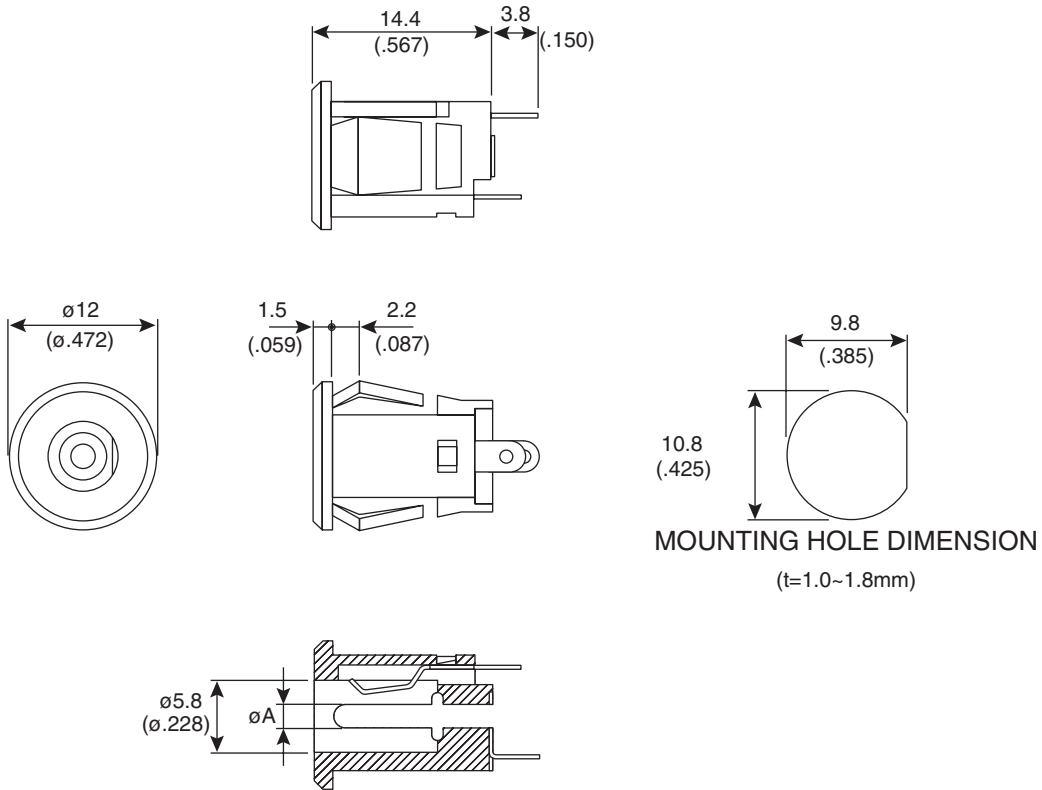


# Panel Mount DC Power Jack

163-1060-EX, 163-1061-EX



Panel Mount DC Power Jack



Dimensions: mm (in.)

Electrical Specifications	
<b>Rating:</b>	(163-1060-EX) DC12V 0.5A, (163-1061-EX) DC12V 1A
<b>Contact resistance:</b>	30m $\Omega$ max
<b>Insulation resistance:</b>	DC500V 100M $\Omega$ min.
<b>Withstand voltage:</b>	AC500V for 1 min.

Mechanical Specifications	
<b>Terminal:</b>	Silver plated brass
<b>Contact spring:</b>	Silver plated copper
<b>Pin:</b>	Nickel plated brass
<b>Body:</b>	PA G=15%
<b>Diameter (A):</b>	163-1060-EX = $\phi 1.9\text{mm}$
	163-1061-EX = $\phi 2.35\text{mm}$
RoHS Compliant by Exemption	

Date Last Revised: 12-16-11

Available from Mouser Electronics  
 1-800-346-6873  
 www.mouser.com

KC-300872

163-1060-EX, 163-1061-EX