

PLEASE CHECK WWW.MOLEX.COM FOR LATEST PART INFORMATION

Part Number: [73415-3020](#)
Status: **Active**
Overview: SMPM and SMP RF Connectors
Description: 50 Ohms, RF Adapter SMP Jack-to-Jack, Length 7.00mm, Bulk

Documents:

[Drawing \(PDF\)](#) [RoHS Certificate of Compliance \(PDF\)](#)

General

| | |
|-----------------|--|
| Product Family | RF/Coax Connectors |
| Series | 73415 |
| Overview | SMPM and SMP RF Connectors |
| Product Name | SMP |
| Style | Adapter |
| UPC | 800756618852 |
| Wire/Cable Type | N/A |

Physical

| | |
|-----------------------|-----------|
| Gender | Jack/Jack |
| Keying to Mating Part | None |
| Net Weight | 0.195/g |
| Orientation | Straight |
| PCB Mounting | N/A |
| Packaging Type | Bag |
| Panel Mount | No |
| Panel Mount Method | N/A |
| Reverse Polar | No |

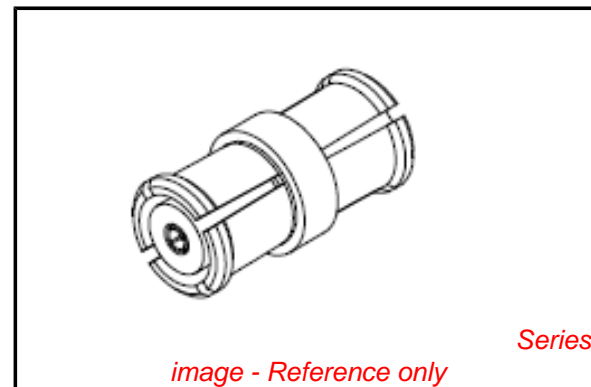
Electrical

| | |
|-----------|-----|
| Impedance | 50# |
|-----------|-----|

Material Info

Reference - Drawing Numbers

| | |
|---------------|--------------|
| Sales Drawing | SD-73415-302 |
|---------------|--------------|



EU RoHS

RoHS Compliant RF Product

REACH SVHC

Contains SVHC: No

Low-Halogen Status

Low-Halogen

China RoHS



Pb

Need more information on product environmental compliance?

Email productcompliance@molex.com
 For a multiple part number RoHS Certificate of Compliance, [click here](#)

Please visit the [Contact Us](#) section for any non-product compliance questions.

Search Parts in this Series

[73415Series](#)