

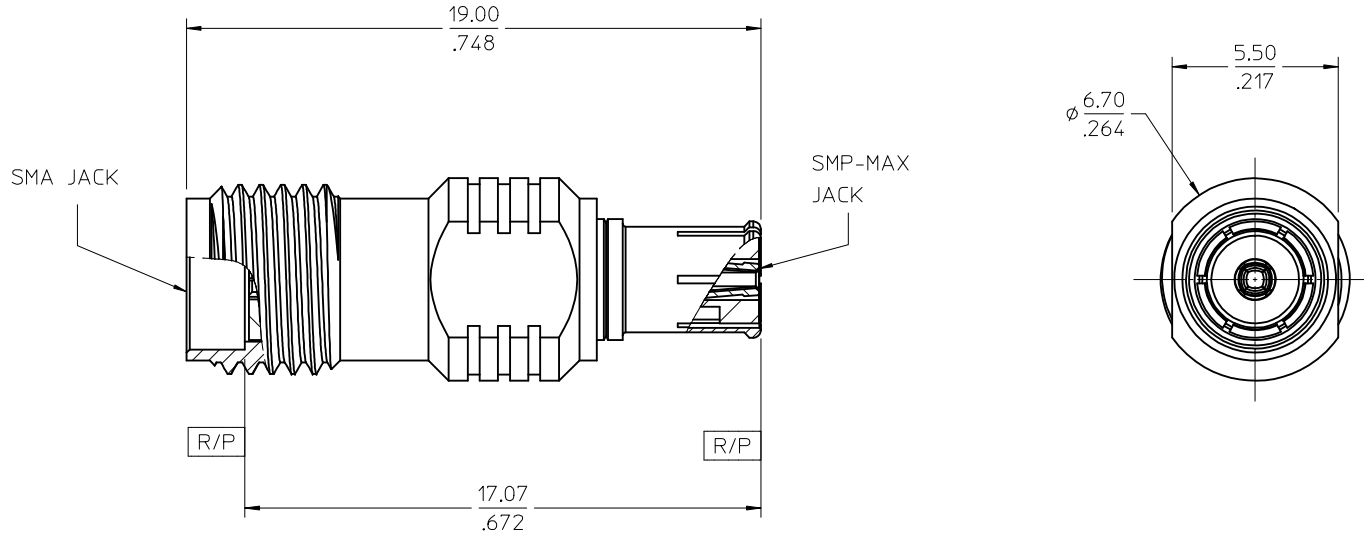
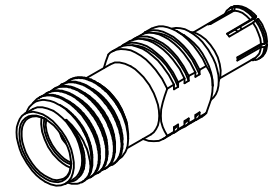
MATERIALS AND FINISHES

BODY: BRASS
PLATED GOLD

CENTER CONTACT: BERYLLIUM COPPER
PLATED GOLD

OUTER CONTACT: BERYLLIUM COPPER
PLATED GOLD

INSULATORS: TEFLON

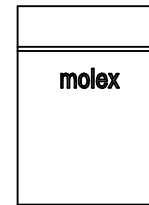


73386-1560	ONE PER BAG
PART NO.	PACKAGING

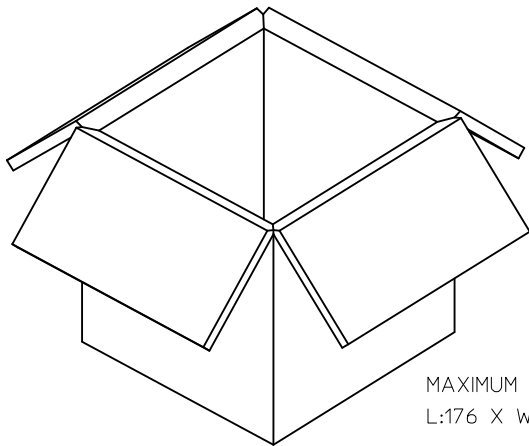
MIL-STD-348A, FIG. 310.2	SMA INTERFACE	CHG: UPDATED PACKING PER RF15-E424 EC NO: URF2016-0467 DRWR: YEH CHKD: 2015/11/30 APPR: YCHENG	DESCRIPTION 2015/12/29 REV: A3	QUALITY SYMBOLS ▽=0 ▽=0 ▽=0	GENERAL TOLERANCES (UNLESS SPECIFIED)		DIMENSION STYLE MM/IN		SCALE 8:1	DESIGN UNITS INCH	THIRD ANGLE PROJECTION
					4 PLACES ± --- ± --- 3 PLACES ± --- ± --- 2 PLACES ± --- ± --- 1 PLACE ± --- ± --- 0 PLACE ± ±	mm INCH DRAWN BY AROBERTSON DATE 2011/02/14 CHECKED BY SSS DATE 2011/02/14 APPROVED BY JW IENER DATE 2011/07/19	TITLE SMA JACK TO SMP-MAX JACK 50 OHM ADAPTER BSA-SMA/SMPMAX, EWR-4624	DOCUMENT NO. SD-73386-156	SHEET NO. 1 OF 2		
SPECIFICATION	DESCRIPTION	DRAFT WHERE APPLICABLE MUST REMAIN WITHIN DIMENSIONS			ANGULAR ± 2 °	SIZE C	THIS DRAWING CONTAINS INFORMATION THAT IS PROPRIETARY TO MOLEX INCORPORATED AND SHOULD NOT BE USED WITHOUT WRITTEN PERMISSION				



P/N: 73386-1560



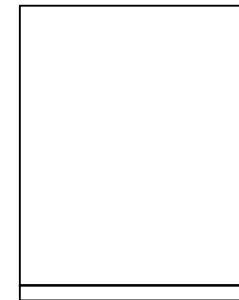
1 SET PER BAG
P/N: 89707-0317



MAXIMUM OUTSIDE SIZE
L:176 X W:173 X D:176



10 SETS PER OUTER
CARTON BOX
P/N: 96707-0005



10 SETS PER BAG
P/N: 89707-0001

CHG:SEE SHEET 1	2015/11/30
EC NO: URF2016-0467	
DRW:RYEH	
CHKD:	
APPR:YCHENG	2015/12/29
REV	DESCRIPTION
A3	

QUALITY SYMBOLS
= 0
= 0
= 0

GENERAL TOLERANCES (UNLESS SPECIFIED)		
	mm	INCH
4 PLACES	± .005	± .0002
3 PLACES	± .005	± .0002
2 PLACES	± .005	± .0002
1 PLACE	± .005	± .0002
0 PLACE	± .005	± .0002
ANGULAR ± 2 °		
DRAFT WHERE APPLICABLE MUST REMAIN WITHIN DIMENSIONS		

DIMENSION STYLE	
MM/IN	
DRAWN BY	DATE
AROBERTSON	2011/02/14
CHECKED BY	DATE
SSS	2011/02/14
APPROVED BY	DATE
JWIENER	2011/07/19
MATERIAL NO.	DOCUMENT NO.
SEE TABLE	SD-73386-156
SIZE	
C	

SCALE	DESIGN UNITS	THIRD ANGLE PROJECTION
1.5:1	INCH	
TITLE		
SMA JACK TO SMP-MAX JACK 50 OHM ADAPTER BSA-SMA/SMPMAX, EWR-4624		
molex		
DOCUMENT NO.		SHEET NO.
SD-73386-156		2 OF 2
THIS DRAWING CONTAINS INFORMATION THAT IS PROPRIETARY TO MOLEX INCORPORATED AND SHOULD NOT BE USED WITHOUT WRITTEN PERMISSION		