

ADS8681 16-Bit, 1-MSPS, Single-Supply, SAR ADC Data Acquisition System with Programmable, Bipolar Input Ranges

1 Features

- 16-Bit ADC with Integrated Analog Front-End
- Software Programmable Input Ranges:
 - Bipolar Ranges: ± 12.288 V, ± 10.24 V, ± 6.144 V, ± 5.12 V, and ± 2.56 V
 - Unipolar Ranges: 0 V– 12.288 V, 0 V– 10.24 V, 0 V– 6.144 V, and 0 V– 5.12 V
- 5-V Analog Supply: 1.65-V to 5-V I/O Supply
- Constant Resistive Input Impedance ≥ 1 M Ω
- Input Overvoltage Protection: Up to ± 20 V
- On-Chip, 4.096-V Reference with Low Drift
- Excellent Performance:
 - Aggregate Throughput: 1 MSPS
 - DNL: ± 0.4 LSB; INL: ± 0.5 LSB
 - SNR: 92 dB; THD: -107 dB
- ALARM \rightarrow High, Low Thresholds per Channel
- multiSPI™ Interface with Daisy-Chain
- Industrial Temperature Range: -40°C to $+125^{\circ}\text{C}$
- Packages:
 - 16-Pin TSSOP (5.0 mm \times 4.4 mm)
 - 16-Pin WQFN (4.0 mm \times 4.0 mm)

2 Applications

- Channel-Isolated PLC Analog Input Modules
- Test and Measurement
- Battery Pack Monitoring

3 Description

The ADS8681 is an integrated data acquisition system based on a 16-bit successive approximation (SAR) analog-to-digital converter (ADC), operating at a throughput of 1 MSPS. The device features a high-precision SAR ADC, integrated analog front-end (AFE) input driver circuit, overvoltage protection circuit up to ± 20 V, and an on-chip 4.096-V reference with extremely low temperature drift. Operating on a single 5-V analog supply, the ADS8681 can support true bipolar input ranges of ± 12.288 V, ± 6.144 V, ± 10.24 V, ± 5.12 V, and ± 2.56 V, as well as unipolar input ranges of 0 V to 12.288 V, 0 V to 10.24 V, 0 V to 6.144 V, and 0 V to 5.12 V. The gain and offset errors for the AFE circuit are accurately trimmed within the specified values for each input range to ensure high dc precision. The input range selection is done by software programming of the device internal registers. The device offers a high resistive input impedance (≥ 1 M Ω) irrespective of the selected input range.

The ADS8681 offers an enhanced SPI™-compatible serial interface (multiSPI) to the digital host and also supports daisy-chaining of multiple devices. The digital supply can operate from 1.65 V to 5.25 V, enabling direct interface to a wide range of host controllers.

Device Information⁽¹⁾

PART NUMBER	PACKAGE	BODY SIZE (NOM)
ADS8681	TSSOP (16)	5.00 mm \times 4.40 mm
	WQFN (16)	4.00 mm \times 4.00 mm

(1) For all available packages, see the orderable addendum at the end of the data sheet.

Block Diagram

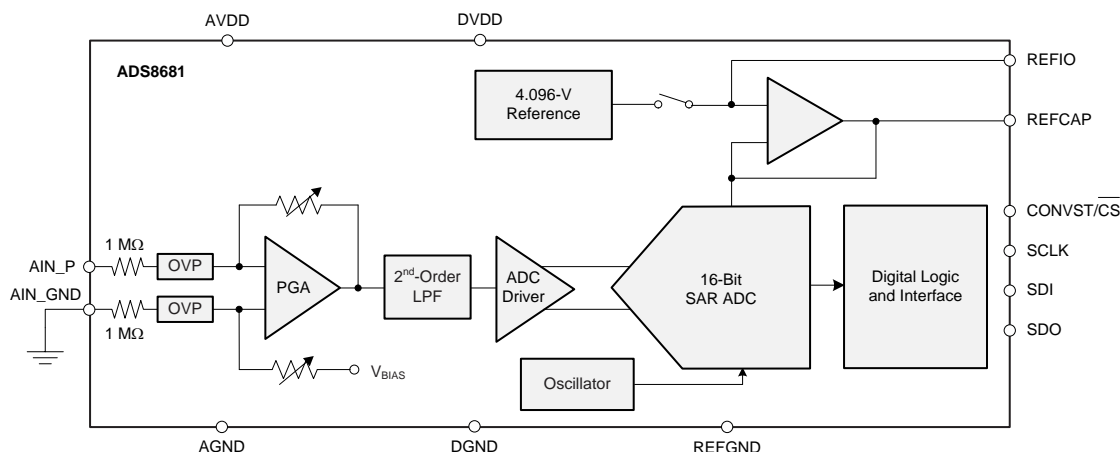


Table of Contents

1 Features	1	8.2 Functional Block Diagram	23
2 Applications	1	8.3 Feature Description.....	24
3 Description	1	8.4 Device Functional Modes.....	36
4 Revision History	2	8.5 Programming.....	40
5 Device Comparison Table	3	8.6 Register Maps.....	48
6 Pin Configuration and Functions	3	9 Application and Implementation	57
7 Specifications	4	9.1 Application Information.....	57
7.1 Absolute Maximum Ratings	4	9.2 Typical Application	57
7.2 ESD Ratings.....	4	10 Power Supply Recommendations	60
7.3 Recommended Operating Conditions.....	4	10.1 Power Supply Decoupling.....	60
7.4 Thermal Information	4	10.2 Power Saving.....	60
7.5 Electrical Characteristics.....	5	11 Layout	61
7.6 Timing Requirements: Conversion Cycle.....	8	11.1 Layout Guidelines	61
7.7 Timing Requirements: Asynchronous Reset.....	8	11.2 Layout Example	62
7.8 Timing Requirements: SPI-Compatible Serial Interface	8	12 Device and Documentation Support	63
7.9 Timing Requirements: Source-Synchronous Serial Interface (External Clock)	9	12.1 Documentation Support	63
7.10 Timing Requirements: Source-Synchronous Serial Interface (Internal Clock).....	9	12.2 Community Resources.....	63
7.11 Typical Characteristics	13	12.3 Trademarks	63
8 Detailed Description	23	12.4 Electrostatic Discharge Caution.....	63
8.1 Overview	23	12.5 Glossary	63
		13 Mechanical, Packaging, and Orderable Information	63

4 Revision History

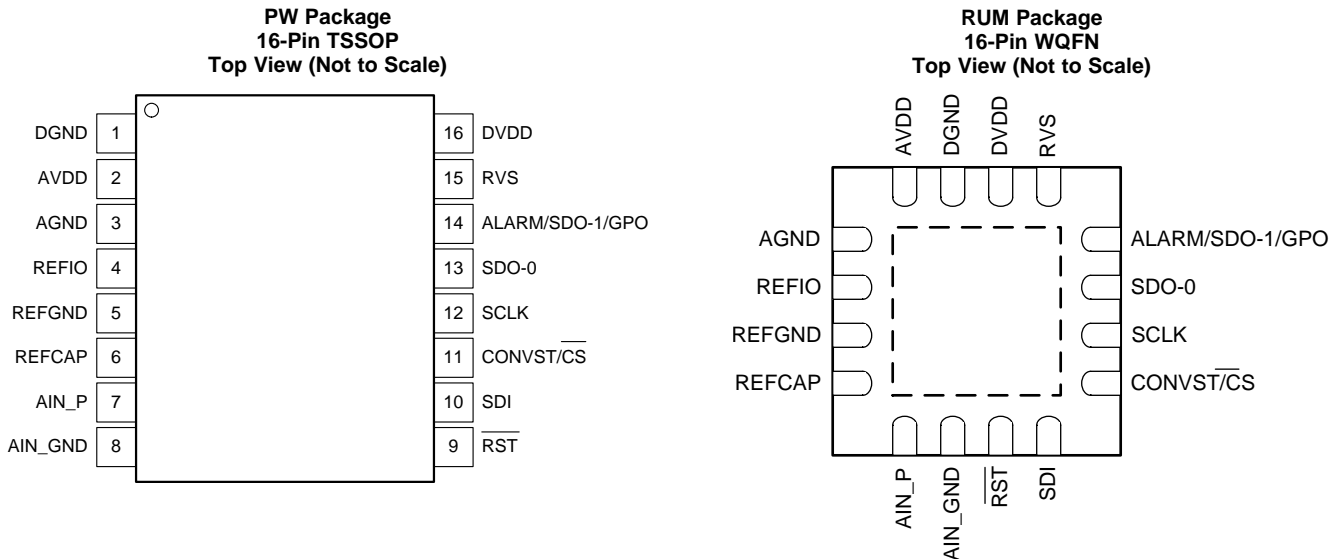
NOTE: Page numbers for previous revisions may differ from page numbers in the current version.

Changes from Original (February 2016) to Revision A	Page
• Released to production	1

5 Device Comparison Table

THROUGHPUT	DEVICE
1 MSPS	ADS8681

6 Pin Configuration and Functions



Pin Functions

NAME	NO.		TYPE ⁽¹⁾	DESCRIPTION
	TSSOP	WQFN		
AGND	3	1	P	Analog ground pin. Decouple with the AVDD pin.
AIN_GND	8	6	AI	Analog input: negative. Decouple with the AIN_P pin.
AIN_P	7	5	AI	Analog input: positive. Decouple with the AIN_GND pin.
ALARM/SDO-1/GPO	14	12	DO	Multi-function output pin. Active high alarm. Data output 1 for serial communication. General-purpose output pin.
AVDD	2	16	P	Analog supply pin. Decouple with the AGND pin.
CONVST/ \overline{CS}	11	9	DI	Dual-functionality pin. Active high logic: conversion start input pin; a CONVST rising edge brings the device from acquisition phase to conversion phase. Active low logic: chip-select input pin; the device takes control of the data bus when \overline{CS} is low; the SDO-x pins go to tri-state when \overline{CS} is high.
DGND	1	15	P	Digital ground pin. Decouple with the DVDD pin.
DVDD	16	14	P	Digital supply pin. Decouple with the DGND pin.
REFCAP	6	4	AO	ADC reference buffer decoupling capacitor pin. Decouple with the REFGND pin.
REFGND	5	3	P	Reference ground pin; short to the analog ground plane. Decouple with the REFIO and REFCAP pins.
REFIO	4	2	AIO	Internal reference output and external reference input pin. Decouple with REFGND.
\overline{RST}	9	7	DI	Active low logic input to reset the device.
RVS	15	13	DO	Multi-function output pin for serial interface; see the RESET State section. With \overline{CS} held high, RVS reflects the status of the internal ADCST signal. With \overline{CS} low, the status of RVS depends on the output protocol selection.
SCLK	12	10	DI	Serial communication: clock input pin for the serial interface. All system-synchronous data transfer protocols are timed with respect to the SCLK signal.
SDI	10	8	DI	Dual function: data input pin for serial communication. Chain data input during serial communication in daisy-chain mode.
SDO-0	13	11	DO	Serial communication: data output 0

(1) AI = analog input, AIO = analog input/output, DI = digital input, DO = digital output, and P = power supply.

7 Specifications

7.1 Absolute Maximum Ratings

 over operating free-air temperature range (unless otherwise noted)⁽¹⁾

		MIN	MAX	UNIT
AIN_P, AIN_GND to GND	AVDD = 5 V ⁽²⁾	-20	20	V
	AVDD = floating ⁽³⁾	-11	11	
AVDD to GND or DVDD to GND		-0.3	7	V
REFCAP to REFGND or REFIO to REFGND		-0.3	5.7	V
GND to REFGND		-0.3	0.3	V
Digital input pins to GND		-0.3	DVDD + 0.3	V
Digital output pins to GND		-0.3	DVDD + 0.3	V
Temperature	Operating, T _A	-40	125	°C
	Storage, T _{stg}	-65	150	

(1) Stresses beyond those listed under *Absolute Maximum Ratings* may cause permanent damage to the device. These are stress ratings only, and do not imply functional operation of the device at these or any other conditions beyond those indicated under *Recommended Operating Conditions*. Exposure to absolute-maximum-rated conditions for extended periods may affect device reliability.

(2) AVDD = 5 V offers a low impedance of < 30 kΩ.

(3) AVDD = floating with an impedance > 30 kΩ.

7.2 ESD Ratings

			VALUE	UNIT
V _(ESD) Electrostatic discharge	Human body model (HBM), per ANSI/ESDA/JEDEC JS-001 ⁽¹⁾	Analog input pins (AIN_P, AIN_GND)	±4000	V
		All other pins	±2000	
	Charged device model (CDM), per JEDEC specification JESD22-C101 ⁽²⁾		±500	

(1) JEDEC document JEP155 states that 500-V HBM allows safe manufacturing with a standard ESD control process.

(2) JEDEC document JEP157 states that 250-V CDM allows safe manufacturing with a standard ESD control process.

7.3 Recommended Operating Conditions

over operating free-air temperature range (unless otherwise noted)

		MIN	NOM	MAX	UNIT
AVDD	Analog supply voltage	4.75	5	5.25	V
DVDD	Digital supply voltage	1.65	3.3	AVDD	V

7.4 Thermal Information

THERMAL METRIC ⁽¹⁾		ADS8681		UNIT
		PW (TSSOP)	RUM (WQFN)	
		16 PINS	16 PINS	
R _{θJA}	Junction-to-ambient thermal resistance	95.7	31.9	°C/W
R _{θJC(top)}	Junction-to-case (top) thermal resistance	29.3	27.9	°C/W
R _{θJB}	Junction-to-board thermal resistance	41.5	7.4	°C/W
ψ _{JT}	Junction-to-top characterization parameter	1.5	0.3	°C/W
ψ _{JB}	Junction-to-board characterization parameter	40.8	7.4	°C/W
R _{θJC(bot)}	Junction-to-case (bottom) thermal resistance	N/A	1.9	°C/W

(1) For more information about traditional and new thermal metrics, see the *IC Package Thermal Metrics* application report, [SPRA953](#).

7.5 Electrical Characteristics

minimum and maximum specifications are at $T_A = -40^\circ\text{C}$ to $+125^\circ\text{C}$; typical specifications are at $T_A = 25^\circ\text{C}$; $AVDD = 5\text{ V}$, $DVDD = 3.3\text{ V}$, $V_{REF} = 4.096\text{ V}$ (internal), and $f_{SAMPLE} = 1\text{ MSPS}$ (unless otherwise noted)

PARAMETER		TEST CONDITIONS	MIN	TYP	MAX	UNIT	
ANALOG INPUTS							
V_{IN}	Full-scale input span ⁽¹⁾ (AIN_P to AIN_GND)	Input range = $\pm 3 \times V_{REF}$	-12.288		12.288	V	
		Input range = $\pm 2.5 \times V_{REF}$	-10.24		10.24		
		Input range = $\pm 1.5 \times V_{REF}$	-6.144		6.144		
		Input range = $\pm 1.25 \times V_{REF}$	-5.12		5.12		
		Input range = $\pm 0.625 \times V_{REF}$	-2.56		2.56		
		Input range = $3 \times V_{REF}$	0		12.288		
		Input range = $2.5 \times V_{REF}$	0		10.24		
		Input range = $1.5 \times V_{REF}$	0		6.144		
		Input range = $1.25 \times V_{REF}$	0		5.12		
AIN_P	Operating input range	Input range = $\pm 3 \times V_{REF}$	-12.288		12.288	V	
		Input range = $\pm 2.5 \times V_{REF}$	-10.24		10.24		
		Input range = $\pm 1.5 \times V_{REF}$	-6.144		6.144		
		Input range = $\pm 1.25 \times V_{REF}$	-5.12		5.12		
		Input range = $\pm 0.625 \times V_{REF}$	-2.56		2.56		
		Input range = $3 \times V_{REF}$	0		12.288		
		Input range = $2.5 \times V_{REF}$	0		10.24		
		Input range = $1.5 \times V_{REF}$	0		6.144		
		Input range = $1.25 \times V_{REF}$	0		5.12		
AIN_GND	Operating input range	All input ranges	-0.1	0	0.1	V	
R_{IN}	Input impedance	At $T_A = 25^\circ\text{C}$	Input range = $\pm 3 \times V_{REF}$	1.02	1.2	1.38	M Ω
			Input range = $\pm 1.5 \times V_{REF}$				
			Input range = $3 \times V_{REF}$				
			Input range = $1.5 \times V_{REF}$	0.85	1	1.15	
			Input range = $\pm 2.5 \times V_{REF}$				
			Input range = $\pm 1.25 \times V_{REF}$				
			Input range = $\pm 0.625 \times V_{REF}$				
			Input range = $2.5 \times V_{REF}$				
			Input range = $1.25 \times V_{REF}$				
Input impedance drift				7	25	ppm/ $^\circ\text{C}$	
I_{IN}	Input current	With voltage at the AIN_P pin = V_{IN}	Input range = $\pm 3 \times V_{REF}$	$(V_{IN} - 2.5) / R_{IN}$			μA
			Input range = $\pm 2.5 \times V_{REF}$	$(V_{IN} - 2.2) / R_{IN}$			
			Input range = $\pm 1.5 \times V_{REF}$	$(V_{IN} - 2.0) / R_{IN}$			
			Input range = $\pm 1.25 \times V_{REF}$	$(V_{IN} - 2.0) / R_{IN}$			
			Input range = $\pm 0.625 \times V_{REF}$	$(V_{IN} - 1.6) / R_{IN}$			
			Input range = $3 \times V_{REF}$	$(V_{IN} - 2.6) / R_{IN}$			
			Input range = $2.5 \times V_{REF}$	$(V_{IN} - 2.5) / R_{IN}$			
			Input range = $1.5 \times V_{REF}$	$(V_{IN} - 2.7) / R_{IN}$			
			Input range = $1.25 \times V_{REF}$	$(V_{IN} - 2.5) / R_{IN}$			
INPUT OVERVOLTAGE PROTECTION CIRCUIT							
V_{OVP}	All input ranges	$AVDD = 5\text{ V}$ or offers low impedance $< 30\text{ k}\Omega$, all input ranges	-20		20	V	
		$AVDD =$ floating with impedance $> 30\text{ k}\Omega$, all input ranges	-11		11		

(1) Ideal input span, does not include gain or offset error.

Electrical Characteristics (continued)

minimum and maximum specifications are at $T_A = -40^\circ\text{C}$ to $+125^\circ\text{C}$; typical specifications are at $T_A = 25^\circ\text{C}$; $AVDD = 5\text{ V}$, $DVDD = 3.3\text{ V}$, $V_{REF} = 4.096\text{ V}$ (internal), and $f_{SAMPLE} = 1\text{ MSPS}$ (unless otherwise noted)

PARAMETER		TEST CONDITIONS		MIN	TYP	MAX	UNIT
SYSTEM PERFORMANCE							
	Resolution			16			Bits
NMC	No missing codes			16			Bits
DNL	Differential nonlinearity ⁽²⁾	All input ranges		-0.7	±0.4	0.7	LSB
INL	Integral nonlinearity ⁽²⁾	All bipolar ranges ⁽³⁾		-1.2	±0.5	1.2	LSB
		All unipolar ranges ⁽⁴⁾		-1.5	±0.5	1.5	
E _O	Offset error ⁽⁵⁾	At $T_A = 25^\circ\text{C}$	All bipolar ranges ⁽³⁾	-1	±0.2	1	mV
			All unipolar ranges ⁽⁴⁾	-2	±0.2	2	
	Offset error drift with temperature	All input ranges		-3	±0.75	3	ppm/°C
E _G	Gain error ⁽⁶⁾	At $T_A = 25^\circ\text{C}$, all input ranges		-0.025	±0.01	0.025	%FSR
		Gain error drift with temperature ⁽⁷⁾		-5	±1	5	
SAMPLING DYNAMICS							
t _{CONV}	Conversion time					665	ns
t _{ACQ}	Acquisition time			335			ns
f _{cycle}	Maximum throughput rate without latency					1	MSPS
DYNAMIC CHARACTERISTICS							
SNR	Signal-to-noise ratio ⁽⁸⁾	Input range = $\pm 3 \times V_{REF}$		90.25	92		dB
		Input range = $\pm 2.5 \times V_{REF}$		90.25	92		
		Input range = $\pm 1.5 \times V_{REF}$		89.5	91.5		
		Input range = $\pm 1.25 \times V_{REF}$		89.5	91.5		
		Input range = $\pm 0.625 \times V_{REF}$		87.75	90		
		Input range = $3 \times V_{REF}$		89.25	91		
		Input range = $2.5 \times V_{REF}$		89	91		
		Input range = $1.5 \times V_{REF}$		88	90		
THD	Total harmonic distortion ⁽⁹⁾⁽⁸⁾	All input ranges			-107		dB
SINAD	Signal-to-noise + distortion ⁽⁸⁾	Input range = $\pm 3 \times V_{REF}$		90.15	92		dB
		Input range = $\pm 2.5 \times V_{REF}$		90.15	92		
		Input range = $\pm 1.5 \times V_{REF}$		89.4	91.5		
		Input range = $\pm 1.25 \times V_{REF}$		89.4	91.5		
		Input range = $\pm 0.625 \times V_{REF}$		87.65	90		
		Input range = $3 \times V_{REF}$		89	91		
		Input range = $2.5 \times V_{REF}$		88.75	91		
		Input range = $1.5 \times V_{REF}$		87.75	90		
SFDR	Spurious-free dynamic range ⁽⁸⁾	All input ranges			109		dB
f _{-3 dB}	Small-signal Input bandwidth	-3 dB	All input ranges		15		kHz
f _{-0.1 dB}		-0.1 dB	All input ranges		2.5		

(2) This specification indicates the endpoint INL, not best-fit INL.

(3) Bipolar ranges are $\pm 12.288\text{ V}$, $\pm 10.24\text{ V}$, $\pm 6.144\text{ V}$, $\pm 5.12\text{ V}$, and $\pm 2.56\text{ V}$.

(4) Unipolar ranges are $0\text{ V} - 12.288\text{ V}$, $0\text{ V} - 10.24\text{ V}$, $0\text{ V} - 6.144\text{ V}$, and $0\text{ V} - 5.12\text{ V}$.

(5) Measured relative to actual measured reference.

(6) Excludes internal reference accuracy error.

(7) Excludes internal reference temperature drift.

(8) All specifications expressed in decibels (dB) refer to the full-scale input (FSR) and are tested with a 1-kHz input signal 0.25 dB below full-scale, unless otherwise specified.

(9) Calculated on the first nine harmonics of the input frequency.

Electrical Characteristics (continued)

minimum and maximum specifications are at $T_A = -40^\circ\text{C}$ to $+125^\circ\text{C}$; typical specifications are at $T_A = 25^\circ\text{C}$; $AVDD = 5\text{ V}$, $DVDD = 3.3\text{ V}$, $V_{REF} = 4.096\text{ V}$ (internal), and $f_{SAMPLE} = 1\text{ MSPS}$ (unless otherwise noted)

PARAMETER		TEST CONDITIONS		MIN	TYP	MAX	UNIT	
INTERNAL REFERENCE OUTPUT								
V_{REFIO}	On the REFIO pin (configured as an output)	At $T_A = 25^\circ\text{C}$	TSSOP (PW)	4.095	4.096	4.097	V	
			WQFN (RUM)	4.094	4.096	4.098		
dV_{REFIO}/dT_A	Internal reference temperature drift	TSSOP (PW)		4			ppm/ $^\circ\text{C}$	
		WQFN (RUM)		5				
C_{OUT_REFIO}	Decoupling capacitor on the REFIO pin			4.7			μF	
V_{REFCAP}	Reference voltage to the ADC (on the REFCAP pin)	At $T_A = 25^\circ\text{C}$			4.095	4.096	4.097	V
			REFCAP temperature drift			0.5	2	ppm/ $^\circ\text{C}$
C_{OUT_REFCAP}	Decoupling capacitor on the REFCAP pin			10			μF	
	Turn-on time	$C_{OUT_REFCAP} = 10\ \mu\text{F}$, $C_{OUT_REFIO} = 10\ \mu\text{F}$			20		ms	
EXTERNAL REFERENCE INPUT								
V_{REFIO_EXT}	External reference voltage on REFIO	REFIO pin configured as an input		4.046	4.096	4.146	V	
AVDD COMPARATOR								
V_{TH_HIGH}	High threshold voltage				5.3		V	
V_{TH_LOW}	Low threshold voltage				4.7		V	
POWER-SUPPLY REQUIREMENTS								
AVDD	Power-supply voltage	Analog supply		4.75	5	5.25	V	
DVDD		Digital supply		1.65	3.3	AVDD		
		Digital supply range for specified performance		2.7	3.3	AVDD		
I_{AVDD_DYN}	Analog supply current	$f_S = 1\text{ MSPS}$	Internal reference		8.2	10.5	mA	
			External reference		7.0	8.75		
I_{AVDD_STC}		Device not converting	Internal reference		4.7	6.25		
			External reference		3.5	4.50		
I_{AVDD_STDBY}		Device in STANDBY mode	Internal reference		2.8			
			External reference		1.6			
I_{AVDD_PD}	Device in PD mode	Internal reference		10		μA		
		External reference		10				
I_{DVDD_DYN}	Digital supply current	$f_S = 1\text{ MSPS}$			0.2	0.25	mA	
I_{DVDD_STDBY}		Device in STANDBY mode			1		μA	
I_{DVDD_PD}		Device in PD mode			1			
DIGITAL INPUTS (CMOS)								
V_{IH}	Digital high input voltage logic level	$DVDD > 2.35\text{ V}$		$0.7 \times DVDD$		$DVDD + 0.3$	V	
		$DVDD \leq 2.35\text{ V}$		$0.8 \times DVDD$		$DVDD + 0.3$		
V_{IL}	Digital low input voltage logic level	$DVDD > 2.35\text{ V}$		-0.3		$0.3 \times DVDD$	V	
		$DVDD \leq 2.35\text{ V}$		-0.3		$0.2 \times DVDD$		
	Input leakage current				100		nA	
	Input pin capacitance				5		pF	
DIGITAL OUTPUTS (CMOS)								
V_{OH}	Digital high output voltage logic level	$I_O = 500\text{-}\mu\text{A}$ source		$0.8 \times DVDD$		$DVDD$	V	
V_{OL}	Digital low output voltage logic level	$I_O = 500\text{-}\mu\text{A}$ sink		0		$0.2 \times DVDD$	V	
	Floating state leakage current	Only for digital output pins			1		μA	
	Internal pin capacitance				5		pF	
TEMPERATURE RANGE								
T_A	Operating free-air temperature			-40		125	$^\circ\text{C}$	

7.6 Timing Requirements: Conversion Cycle

All specifications are for AVDD = 5 V, DVDD = 2.7 V to 3.3 V, V_{REF} = 4.096 V (internal), and f_{DATA} = 1 MSPS, unless otherwise noted. All minimum and maximum specifications are for T_A in the range –40°C to +125°C. All typical values are at T_A = 25°C.

		MIN	TYP	MAX	UNIT
TIMING REQUIREMENTS					
f _{cycle}	Sampling frequency			1	MspS
t _{cycle}	ADC cycle time period	1			μs
t _{acq}	Acquisition time	335			ns
TIMING SPECIFICATIONS					
t _{conv}	Conversion time			665	ns

7.7 Timing Requirements: Asynchronous Reset

All specifications are for AVDD = 5 V, DVDD = 2.7 V to 3.3 V, V_{REF} = 4.096 V (internal), and f_{DATA} = 1 MSPS, unless otherwise noted. All minimum and maximum specifications are for T_A in the range –40°C to +125°C. All typical values are at T_A = 25°C.

		MIN	TYP	MAX	UNIT
TIMING REQUIREMENTS					
t _{wl_RST}	Pulse duration: $\overline{\text{RST}}$ high	100			ns
TIMING SPECIFICATIONS					
t _{D_RST_POR}	Delay time for POR reset: $\overline{\text{RST}}$ rising to RVS rising		20		ms
t _{D_RST_APP}	Delay time for application reset: $\overline{\text{RST}}$ rising to CONVST/ $\overline{\text{CS}}$ rising			1	μs
t _{NAP_WKUP}	Wake-up time: NAP mode			20	μs
t _{PWRUP}	Power-up time: PD mode		20		ms

7.8 Timing Requirements: SPI-Compatible Serial Interface

All specifications are for AVDD = 5 V, DVDD = 2.7 V to 3.3 V, V_{REF} = 4.096 V (internal), and f_{DATA} = 1 MSPS, unless otherwise noted. All minimum and maximum specifications are for T_A in the range –40°C to +125°C. All typical values are at T_A = 25°C.

		MIN	TYP	MAX	UNIT
TIMING REQUIREMENTS					
f _{CLK}	Serial clock frequency			66.67	MHz
t _{CLK}	Serial clock time period	15			ns
t _{PH_CK}	SCLK high time	0.45		0.55	t _{CLK}
t _{PL_CK}	SCLK low time	0.45		0.55	t _{CLK}
t _{SU_CSCK}	Setup time: CONVST/ $\overline{\text{CS}}$ falling to first SCLK capture edge	7.5			ns
t _{SU_CKDI}	Setup time: SDI data valid to SCLK capture edge	7.5			ns
t _{HT_CKDI}	Hold time: SCLK capture edge to (previous) data valid on SDI	7.5			ns
t _{HT_CKCS}	Delay time: last SCLK capture edge to CONVST/ $\overline{\text{CS}}$ rising	7.5			ns
TIMING SPECIFICATIONS					
t _{DEN_CSDO}	Delay time: CONVST/ $\overline{\text{CS}}$ falling edge to data enable			9.5	ns
t _{DZ_CSDO}	Delay time: CONVST/ $\overline{\text{CS}}$ rising to SDO-x going to 3-state			10	ns
t _{D_CKDO}	Delay time: SCLK launch edge to (next) data valid on SDO-x			12	ns
t _{D_CS RVS}	Delay time: CONVST/ $\overline{\text{CS}}$ rising edge to RVS falling			14	ns

7.9 Timing Requirements: Source-Synchronous Serial Interface (External Clock)

All specifications are for AVDD = 5 V, DVDD = 2.7 V to 3.3 V, VREF = 4.096 V (internal), and fDATA = 1 MSPS, unless otherwise noted. All minimum and maximum specifications are for TA in the range –40°C to +125°C. All typical values are at TA = 25°C.

		MIN	TYP	MAX	UNIT
TIMING REQUIREMENTS					
fCLK	Serial clock frequency			66.67	MHz
tCLK	Serial clock time period	15			ns
tPH_CK	SCLK high time	0.45		0.55	tCLK
tPL_CK	SCLK low time	0.45		0.55	tCLK
TIMING SPECIFICATIONS					
tDEN_CSDO	Delay time: CONVST/ $\overline{\text{CS}}$ falling edge to data enable			9.5	ns
tDZ_CSDO	Delay time: CONVST/ $\overline{\text{CS}}$ rising to SDO-x going to 3-state			10	ns
tD_CKRVS_r	Delay time: SCLK rising edge to RVS rising			14	ns
tD_CKRVS_f	Delay time: SCLK falling edge to RVS falling			14	ns
tD_RVSDO	Delay time: RVS rising to (next) data valid on SDO-x			2.5	ns
tD_CSRVS	Delay time: CONVST/ $\overline{\text{CS}}$ rising edge to RVS displaying internal device state			15	ns

7.10 Timing Requirements: Source-Synchronous Serial Interface (Internal Clock)

All specifications are for AVDD = 5 V, DVDD = 2.7 V to 3.3 V, VREF = 4.096 V (internal), and fDATA = 1 MSPS, unless otherwise noted. All minimum and maximum specifications are for TA in the range –40°C to +125°C. All typical values are at TA = 25°C.

		MIN	TYP	MAX	UNIT
TIMING SPECIFICATIONS					
tDEN_CSDO	Delay time: CONVST/ $\overline{\text{CS}}$ falling edge to data enable			9.5	ns
tDZ_CSDO	Delay time: CONVST/ $\overline{\text{CS}}$ rising to SDO-x going to 3-state			10	ns
tDEN_CSRVS	Delay time: CONVST/ $\overline{\text{CS}}$ falling edge to first rising edge on RVS			50	ns
tD_RVSDO	Delay time: RVS rising to (next) data valid on SDO-x			2.5	ns
tINTCLK	Time period: internal clock	15			ns
tCYC_RVS	Time period: RVS signal	15			ns
tWH_RVS	RVS high time	0.4		0.6	tINTCLK
tWL_RVS	RVS low time	0.4		0.6	tINTCLK
tD_CSRVS	Delay time: CONVST/ $\overline{\text{CS}}$ rising edge to RVS displaying internal device state			15	ns

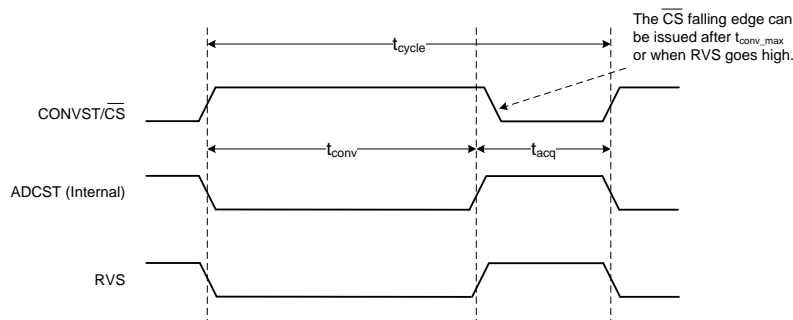


Figure 1. ADS8681 Conversion Cycle Timing Diagram

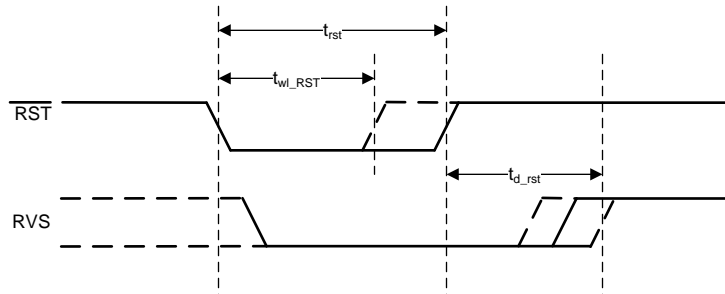


Figure 2. Asynchronous Reset Timing Diagram

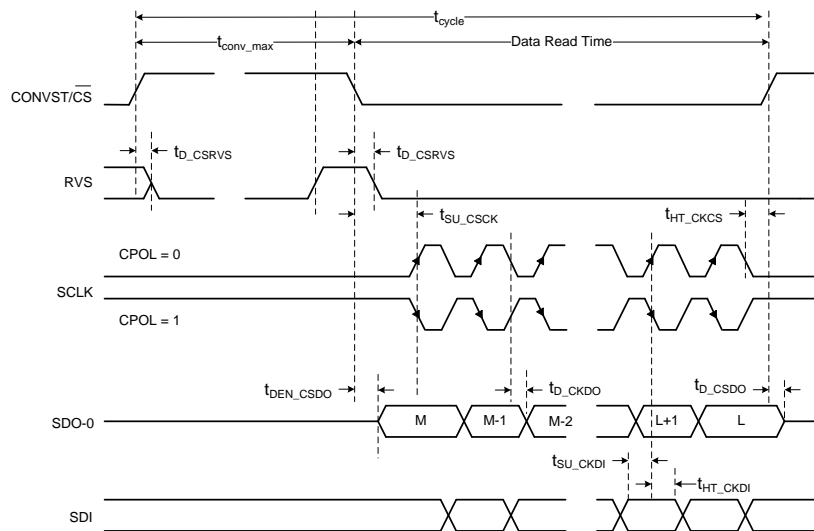


Figure 3. Standard SPI Interface Timing Diagram for CPHA = 0

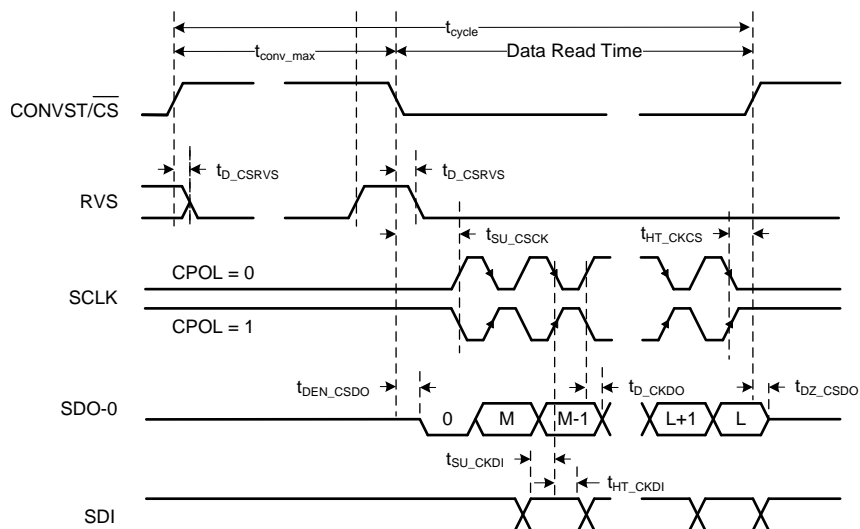


Figure 4. Standard SPI Interface Timing Diagram for CPHA = 1

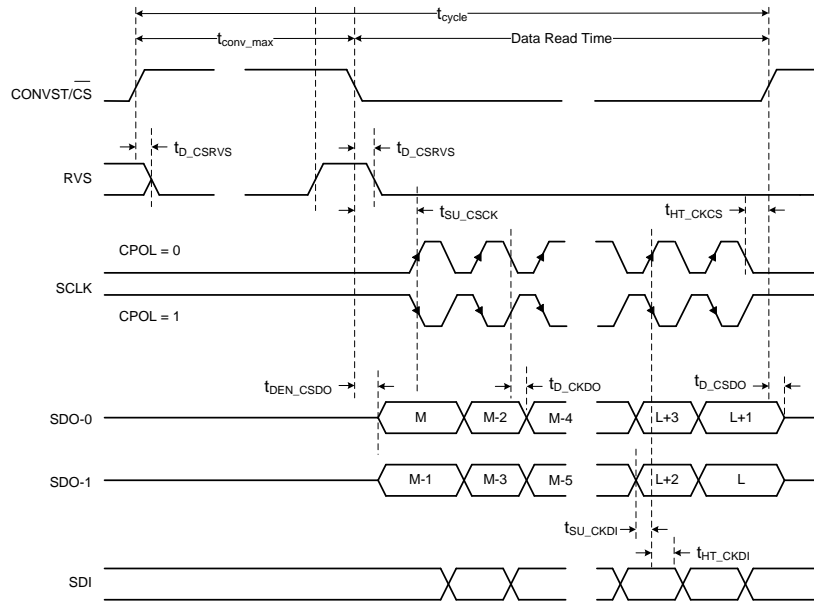


Figure 5. multiSPI Interface Timing Diagram for Dual SDO-x and CPHA = 0

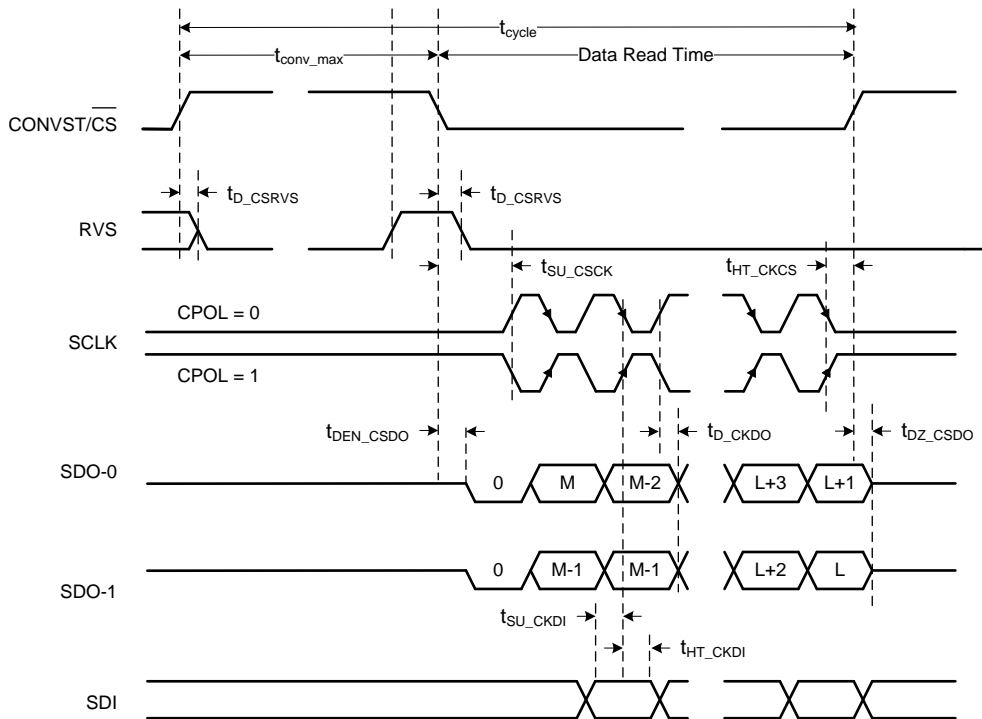


Figure 6. multiSPI Interface Timing Diagram for Dual SDO-x and CPHA = 1

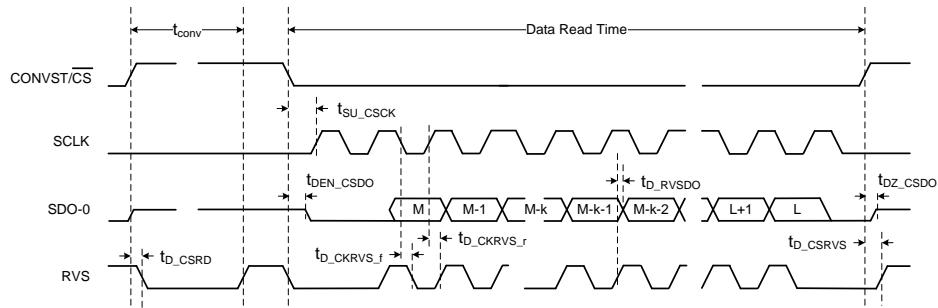


Figure 7. multiSPI Source-Synchronous External Clock Serial Interface Timing Diagram

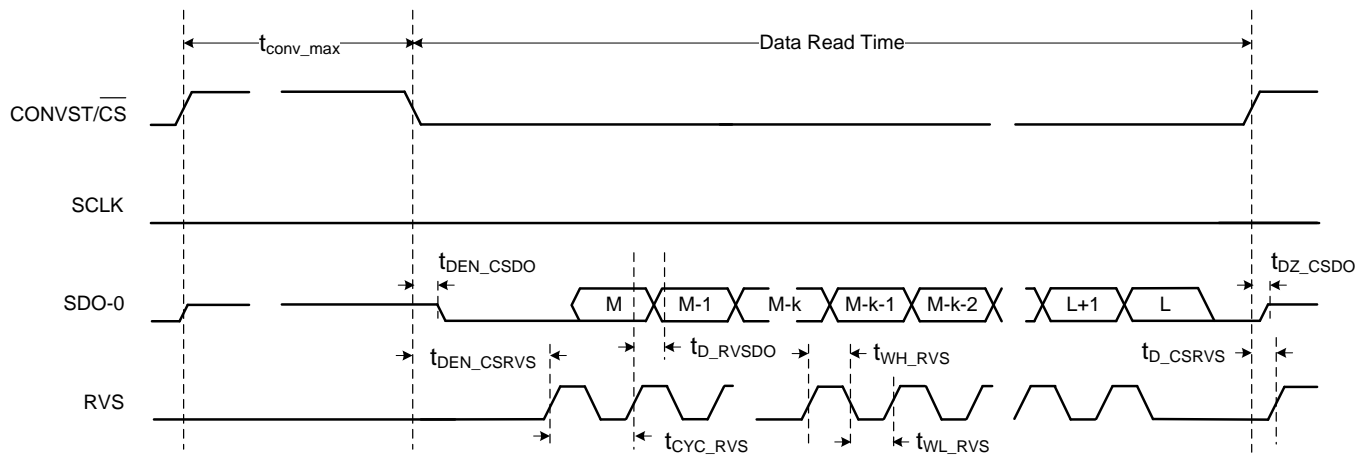


Figure 8. multiSPI Source-Synchronous Internal Clock Serial Interface Timing Diagram

7.11 Typical Characteristics

at $T_A = 25^\circ\text{C}$, $AVDD = 5\text{ V}$, $DVDD = 3\text{ V}$, internal reference $V_{REF} = 4.096\text{ V}$, and $f_{SAMPLE} = 1\text{ MSPS}$ (unless otherwise noted)

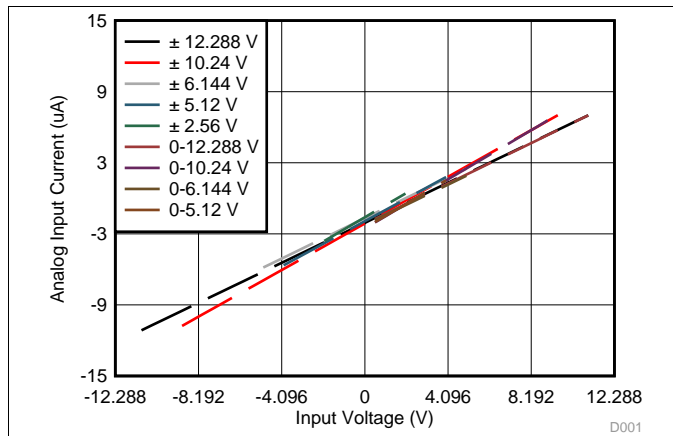


Figure 9. Input I-V Characteristic Across Input Ranges

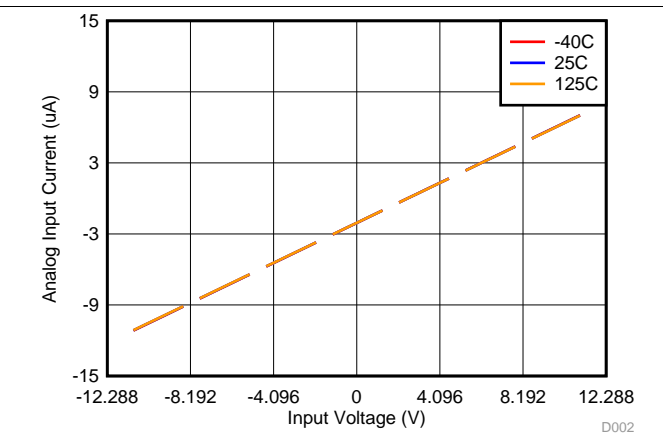


Figure 10. Input I-V Characteristic Across Temperature

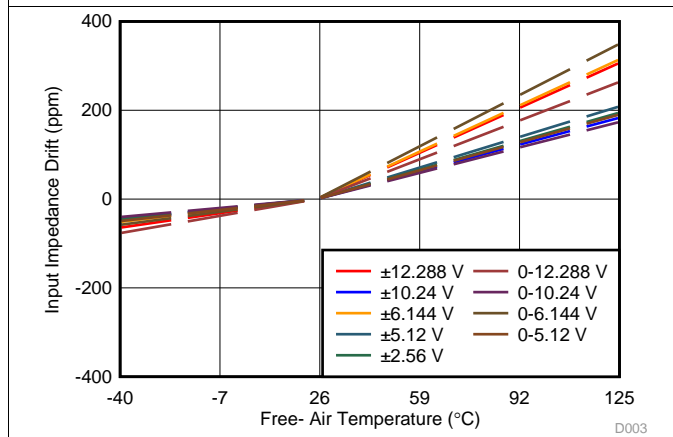


Figure 11. Input Impedance Drift vs Temperature

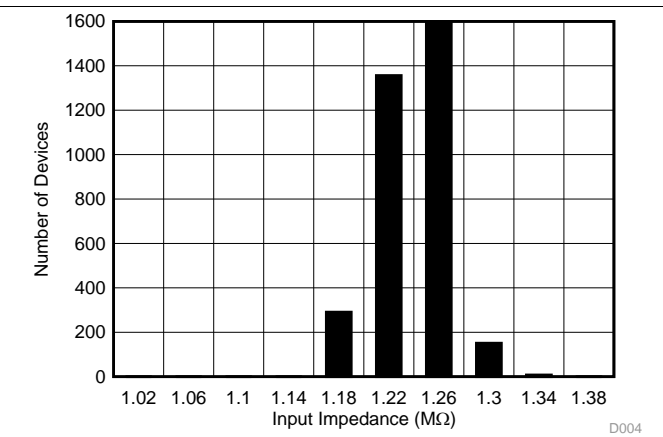


Figure 12. Typical Distribution of Input Impedance

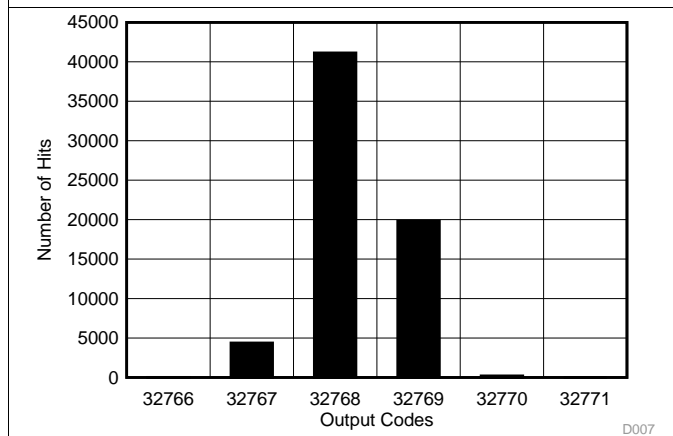


Figure 13. DC Histogram for Mid-Scale Inputs ($\pm 12.288\text{ V}$)

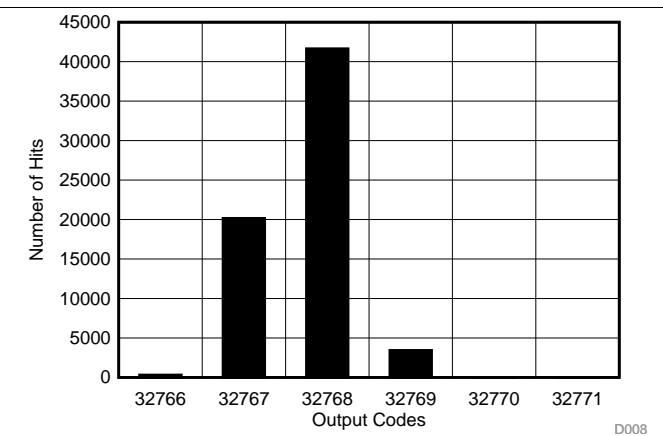


Figure 14. DC Histogram for Mid-Scale Inputs ($\pm 10.24\text{ V}$)

Typical Characteristics (continued)

at $T_A = 25^\circ\text{C}$, $AVDD = 5\text{ V}$, $DVDD = 3\text{ V}$, internal reference $V_{REF} = 4.096\text{ V}$, and $f_{SAMPLE} = 1\text{ MSPS}$ (unless otherwise noted)

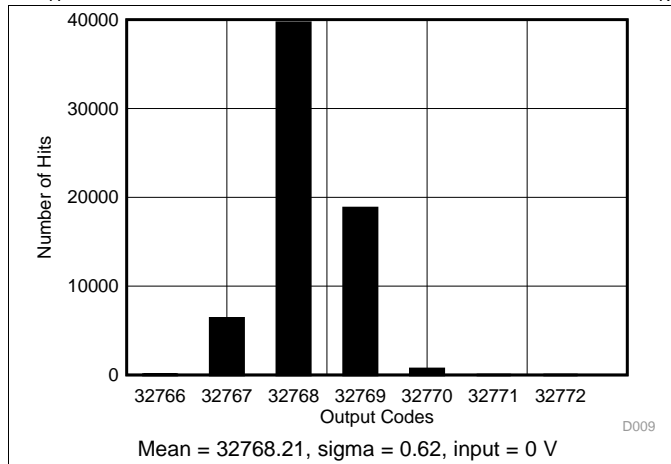


Figure 15. DC Histogram for Mid-Scale Inputs ($\pm 6.144\text{ V}$)

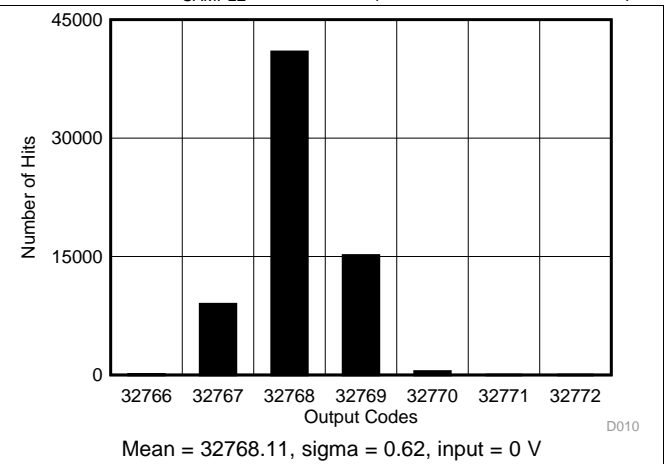


Figure 16. DC Histogram for Mid-Scale Inputs ($\pm 5.12\text{ V}$)

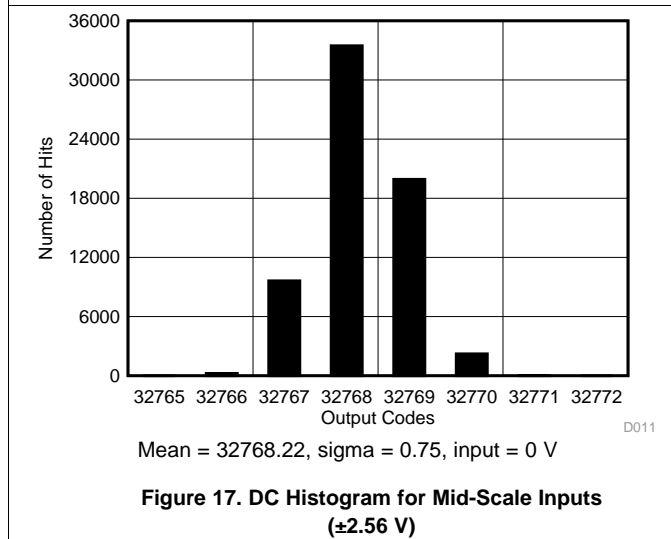


Figure 17. DC Histogram for Mid-Scale Inputs ($\pm 2.56\text{ V}$)

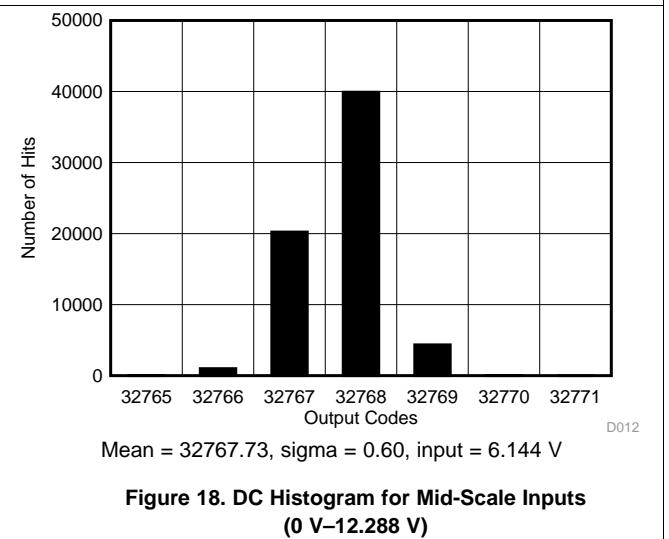


Figure 18. DC Histogram for Mid-Scale Inputs (0 V–12.288 V)

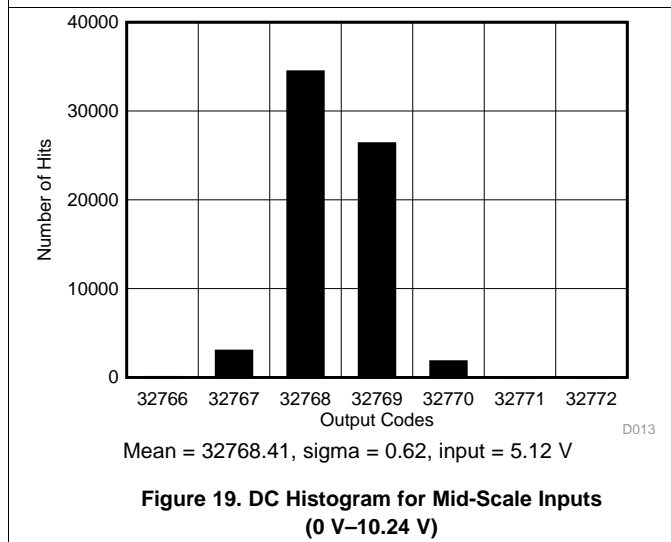


Figure 19. DC Histogram for Mid-Scale Inputs (0 V–10.24 V)

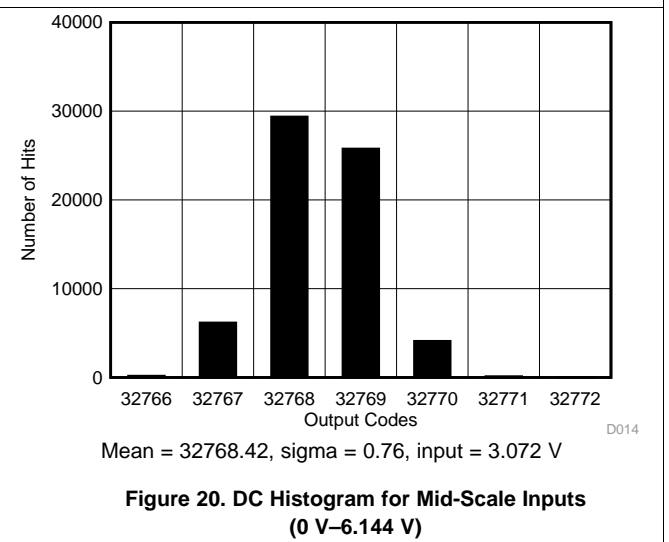


Figure 20. DC Histogram for Mid-Scale Inputs (0 V–6.144 V)

Typical Characteristics (continued)

at $T_A = 25^\circ\text{C}$, $AVDD = 5\text{ V}$, $DVDD = 3\text{ V}$, internal reference $V_{REF} = 4.096\text{ V}$, and $f_{SAMPLE} = 1\text{ MSPS}$ (unless otherwise noted)

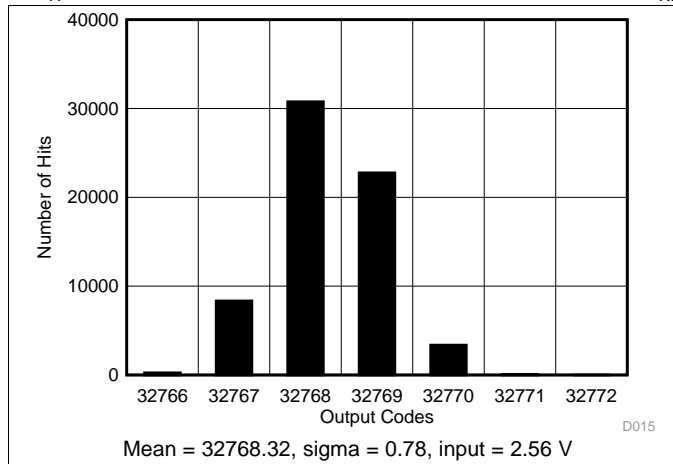


Figure 21. DC Histogram for Mid-Scale Inputs (0 V–5.12 V)

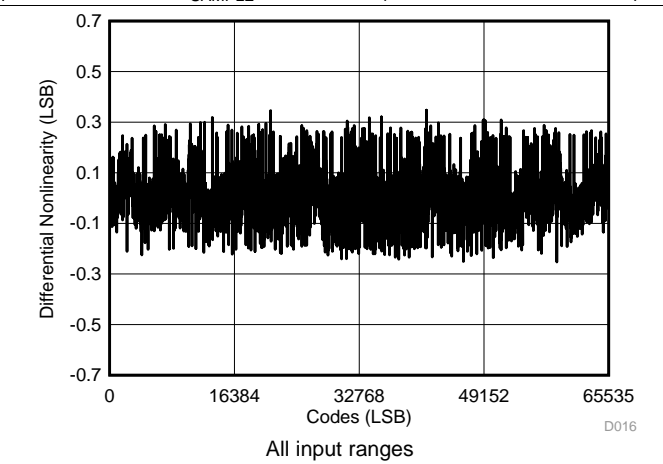


Figure 22. Typical DNL for All Codes

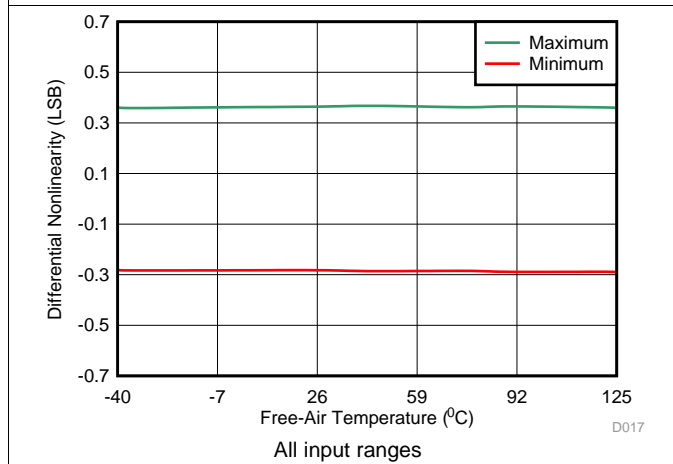


Figure 23. DNL vs Temperature

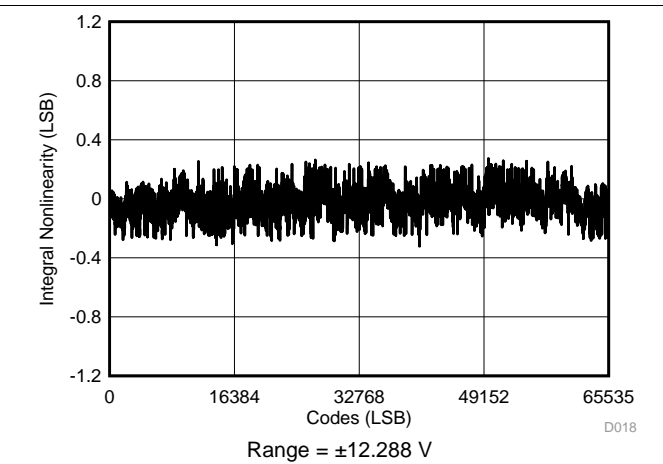


Figure 24. Typical INL for All Codes ($\pm 12.288\text{ V}$)

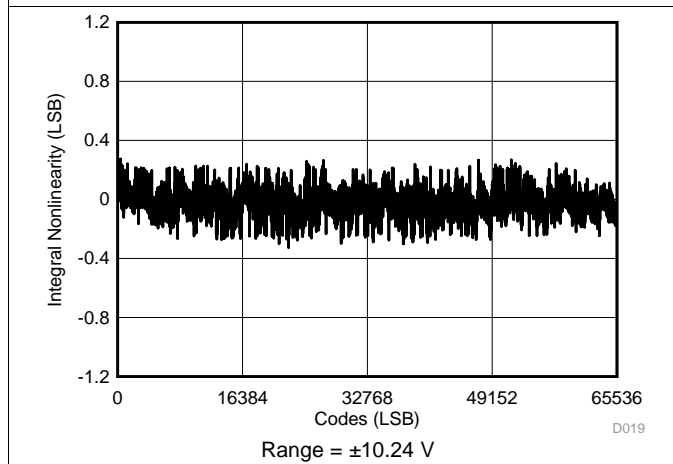


Figure 25. Typical INL for All Codes ($\pm 10.24\text{ V}$)

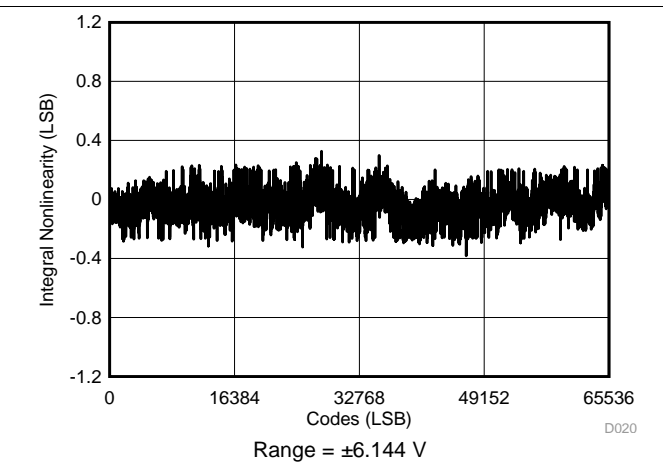


Figure 26. Typical INL for All Codes ($\pm 6.144\text{ V}$)

Typical Characteristics (continued)

at $T_A = 25^\circ\text{C}$, $AV_{DD} = 5\text{ V}$, $DV_{DD} = 3\text{ V}$, internal reference $V_{REF} = 4.096\text{ V}$, and $f_{SAMPLE} = 1\text{ MSPS}$ (unless otherwise noted)

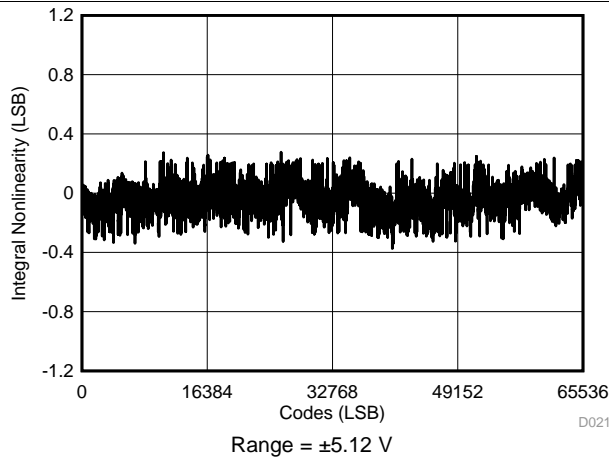


Figure 27. Typical INL for All Codes ($\pm 5.12\text{ V}$)

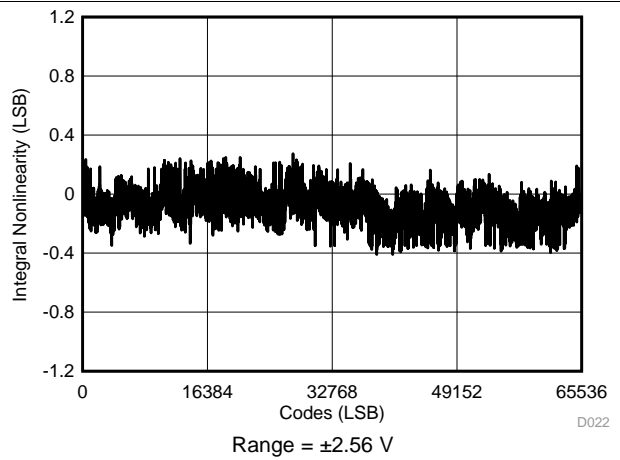


Figure 28. Typical INL for All Codes ($\pm 2.56\text{ V}$)

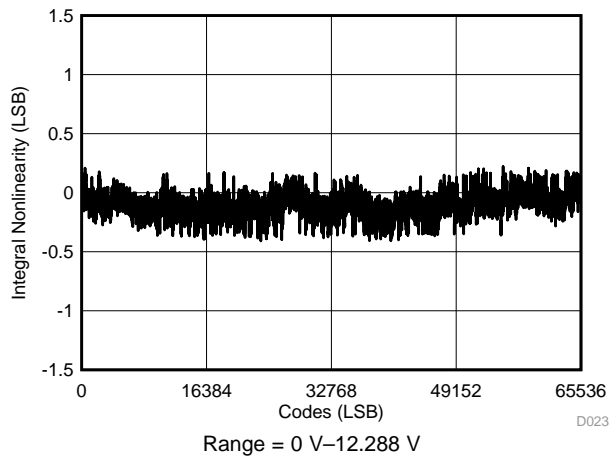


Figure 29. Typical INL for All Codes (0 V–12.288 V)

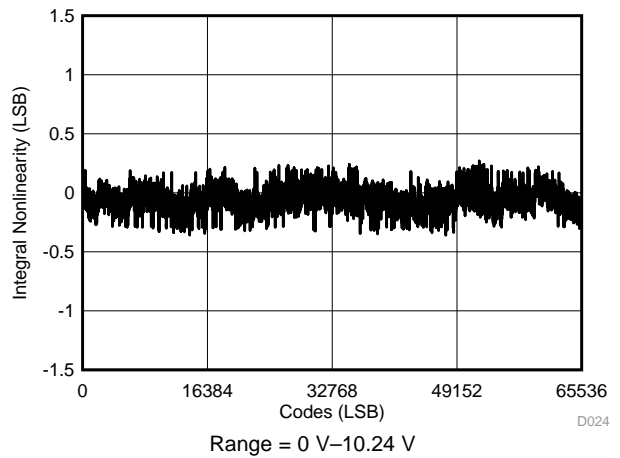


Figure 30. Typical INL for All Codes (0 V–10.24 V)

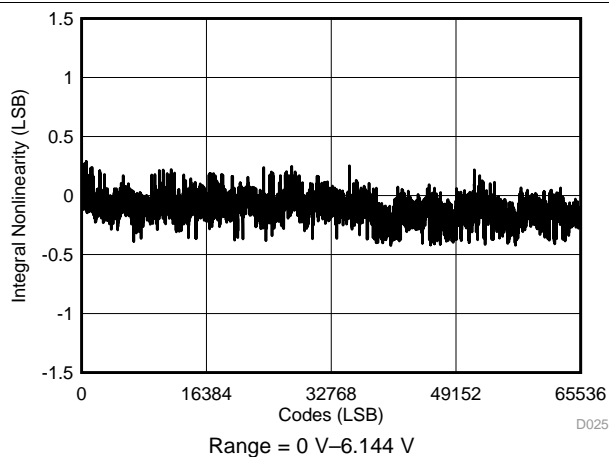


Figure 31. Typical INL for All Codes (0 V–6.144 V)

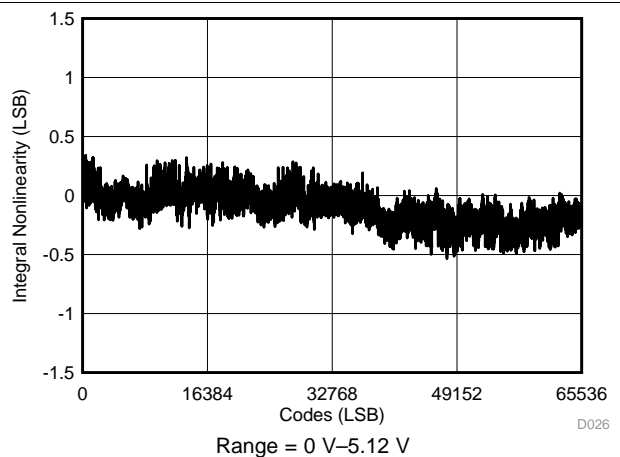


Figure 32. Typical INL for All Codes (0 V–5.12 V)

Typical Characteristics (continued)

at $T_A = 25^\circ\text{C}$, $AVDD = 5\text{ V}$, $DVDD = 3\text{ V}$, internal reference $V_{REF} = 4.096\text{ V}$, and $f_{SAMPLE} = 1\text{ MSPS}$ (unless otherwise noted)

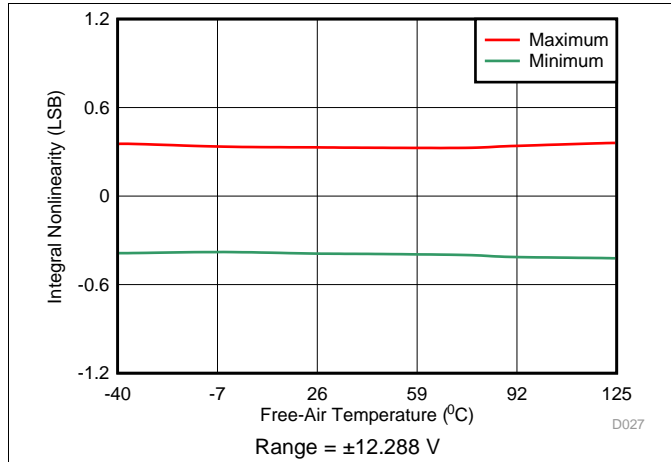


Figure 33. INL vs Temperature ($\pm 12.288\text{ V}$)

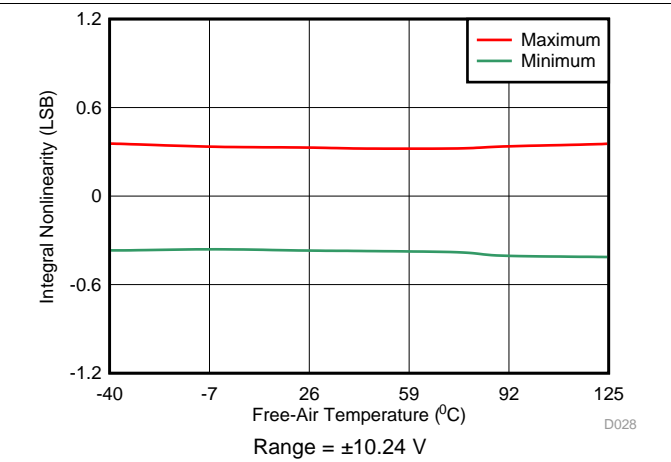


Figure 34. INL vs Temperature ($\pm 10.24\text{ V}$)

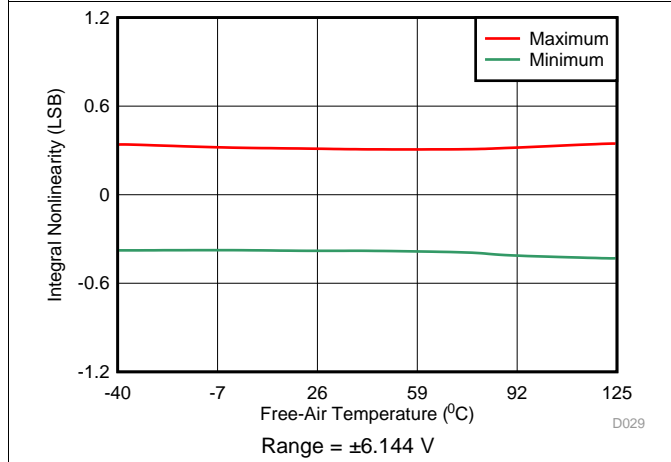


Figure 35. INL vs Temperature ($\pm 6.144\text{ V}$)

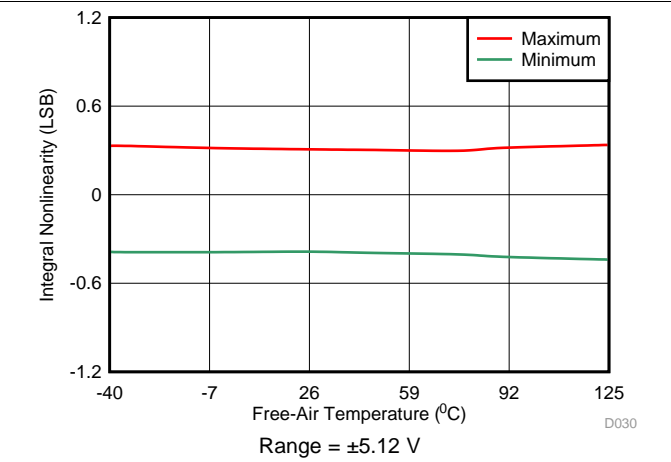


Figure 36. INL vs Temperature ($\pm 5.12\text{ V}$)

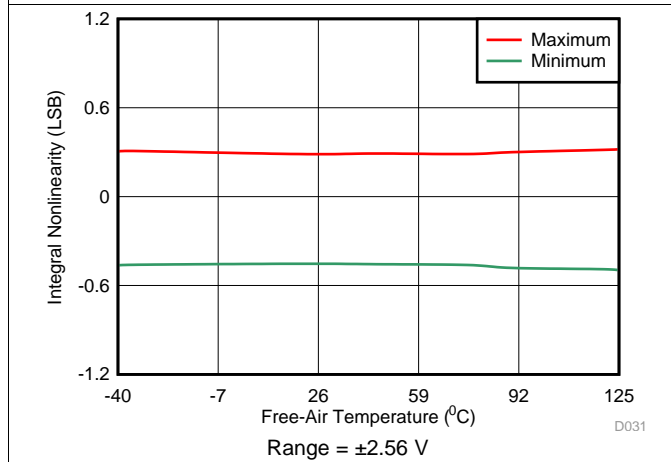


Figure 37. INL vs Temperature ($\pm 2.56\text{ V}$)

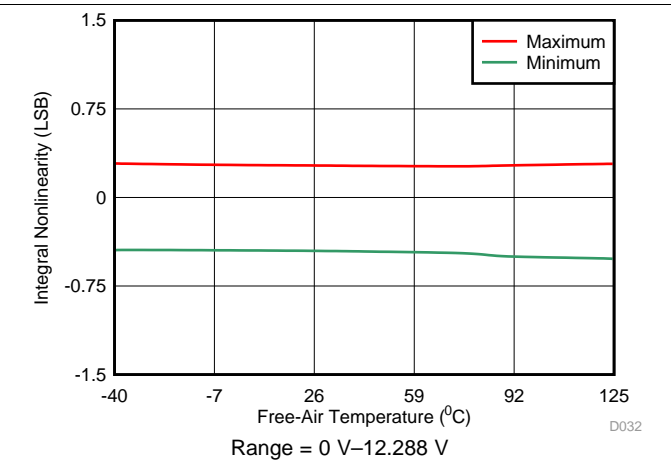


Figure 38. INL vs Temperature ($0\text{ V} - 12.288\text{ V}$)

Typical Characteristics (continued)

at $T_A = 25^\circ\text{C}$, $AVDD = 5\text{ V}$, $DVDD = 3\text{ V}$, internal reference $V_{REF} = 4.096\text{ V}$, and $f_{SAMPLE} = 1\text{ MSPS}$ (unless otherwise noted)

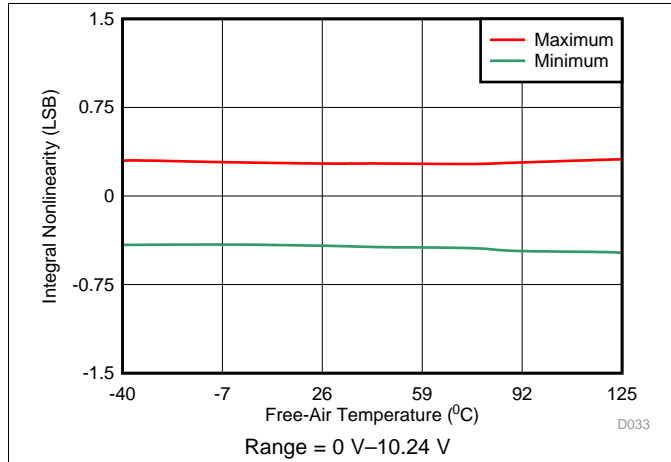


Figure 39. INL vs Temperature (0 V–10.24 V)

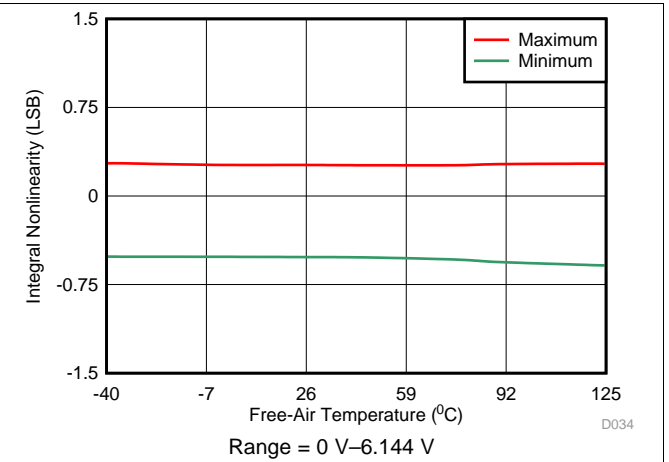


Figure 40. INL vs Temperature (0 V–6.144 V)

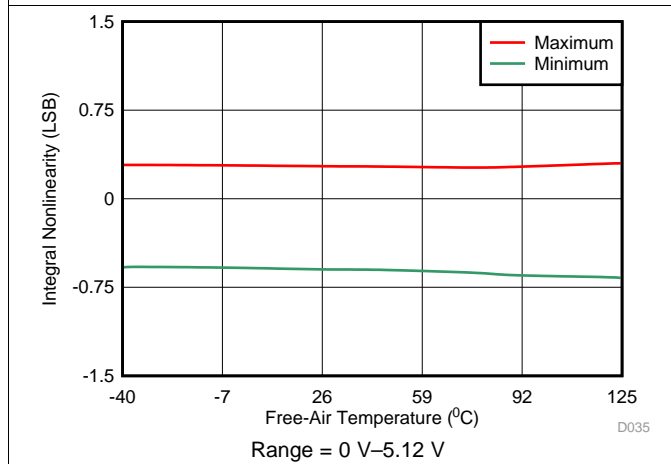


Figure 41. INL vs Temperature (0 V–5.12 V)

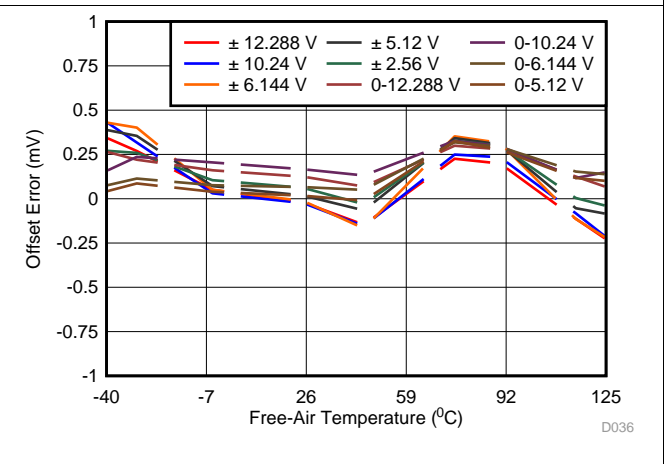


Figure 42. Offset Error vs Temperature Across Input Ranges

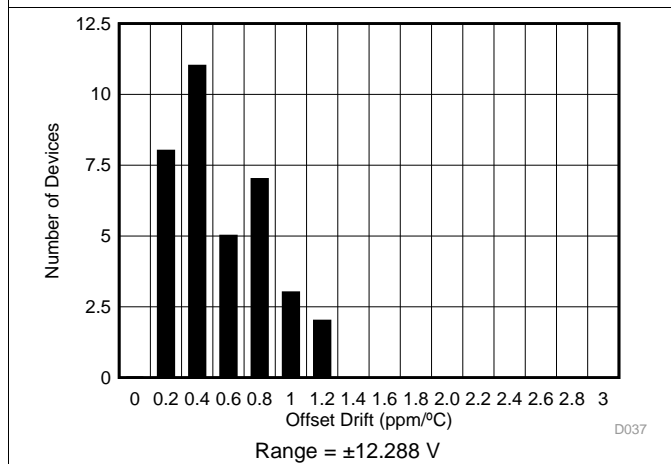


Figure 43. Typical Histogram for Offset Drift

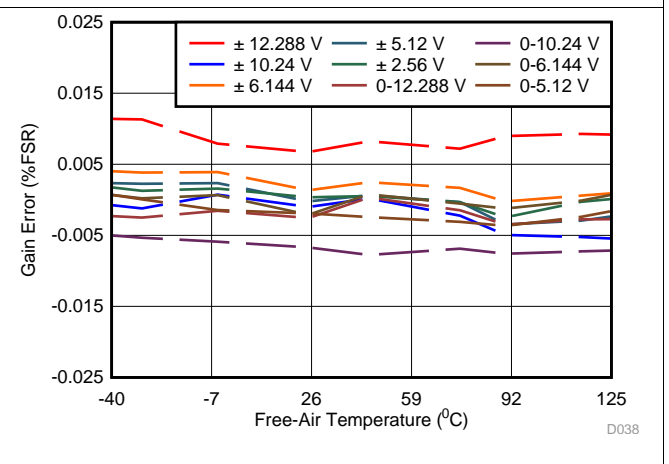


Figure 44. Gain Error vs Temperature Across Input Ranges

Typical Characteristics (continued)

at $T_A = 25^\circ\text{C}$, $AVDD = 5\text{ V}$, $DVDD = 3\text{ V}$, internal reference $V_{REF} = 4.096\text{ V}$, and $f_{SAMPLE} = 1\text{ MSPS}$ (unless otherwise noted)

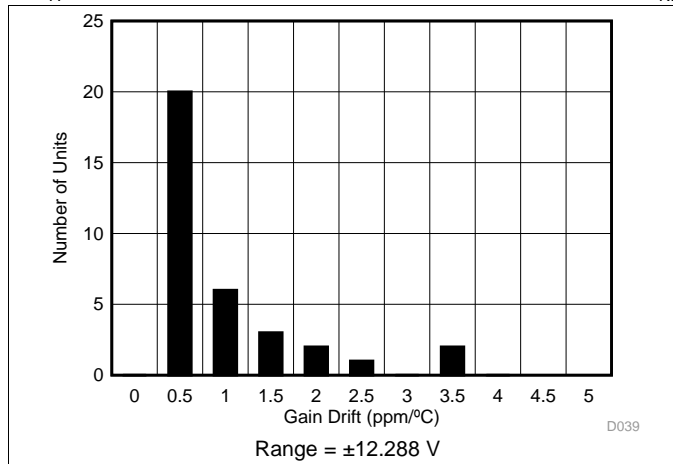


Figure 45. Typical Histogram for Gain Error Drift

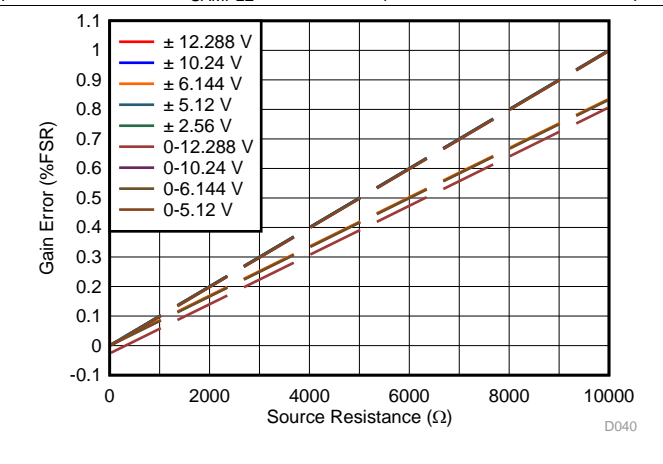


Figure 46. Gain Error vs External Resistance (R_{EXT})

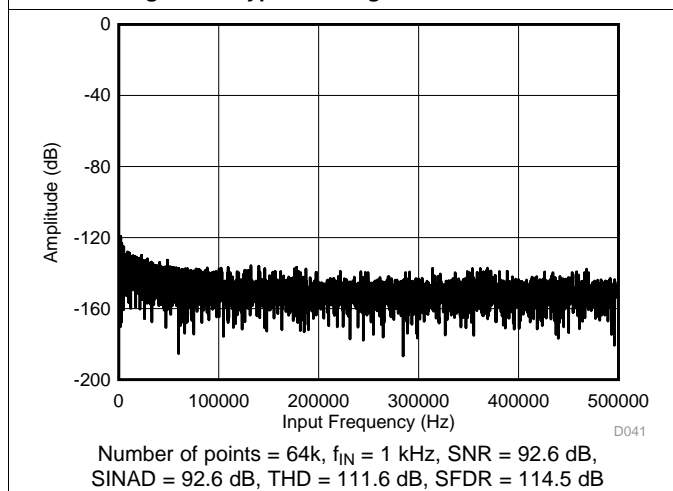


Figure 47. Typical FFT Plot ($\pm 12.288\text{ V}$)

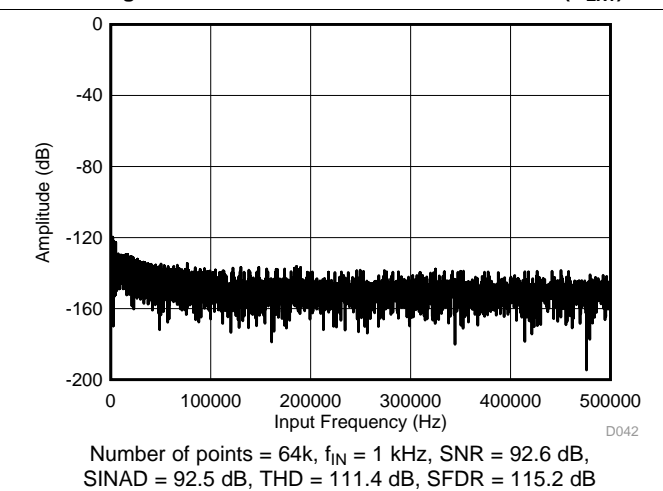


Figure 48. Typical FFT Plot ($\pm 10.24\text{ V}$)

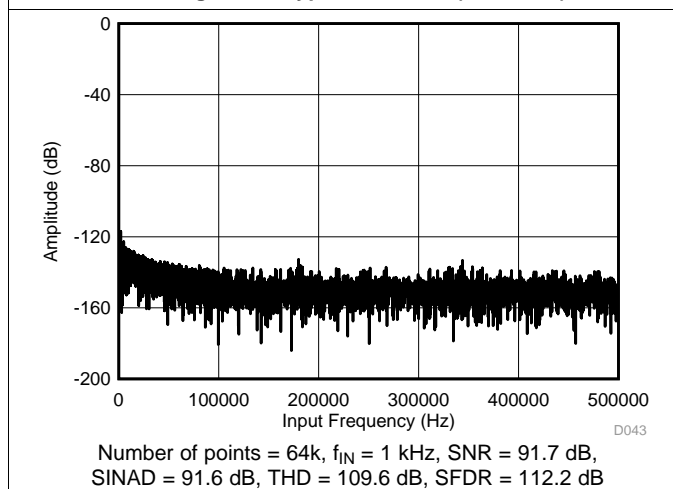


Figure 49. Typical FFT Plot ($\pm 6.144\text{ V}$)

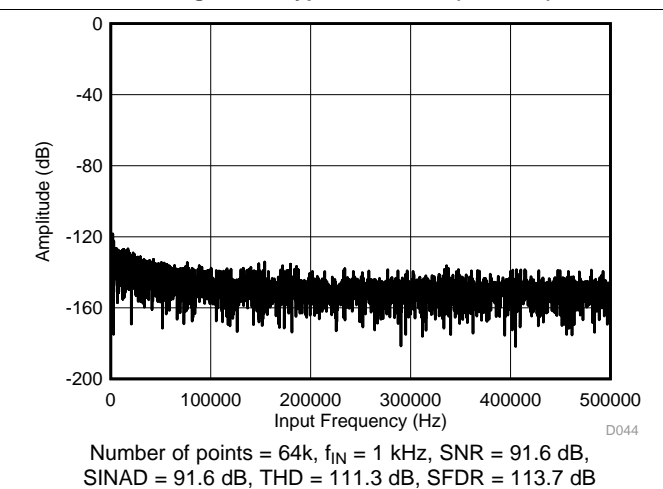


Figure 50. Typical FFT Plot ($\pm 5.12\text{ V}$)

Typical Characteristics (continued)

at $T_A = 25^\circ\text{C}$, $AVDD = 5\text{ V}$, $DVDD = 3\text{ V}$, internal reference $V_{REF} = 4.096\text{ V}$, and $f_{SAMPLE} = 1\text{ MSPS}$ (unless otherwise noted)

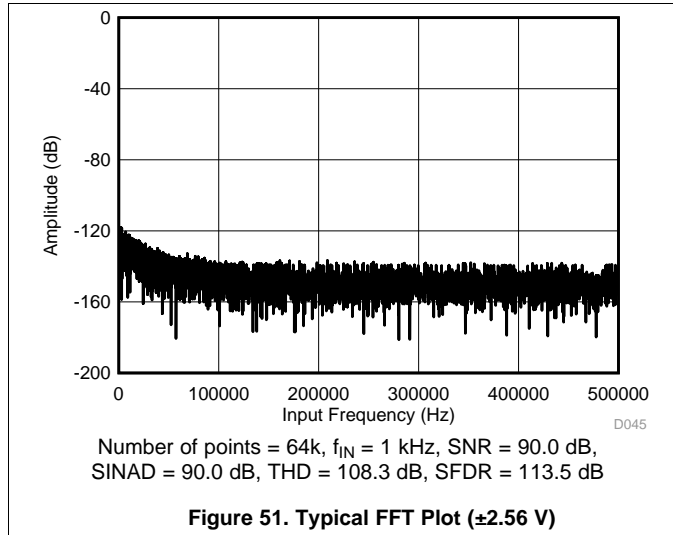


Figure 51. Typical FFT Plot ($\pm 2.56\text{ V}$)

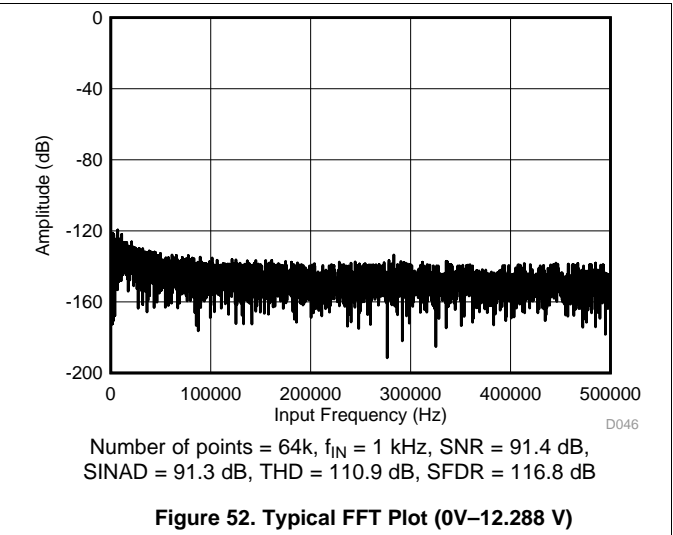


Figure 52. Typical FFT Plot (0V–12.288 V)

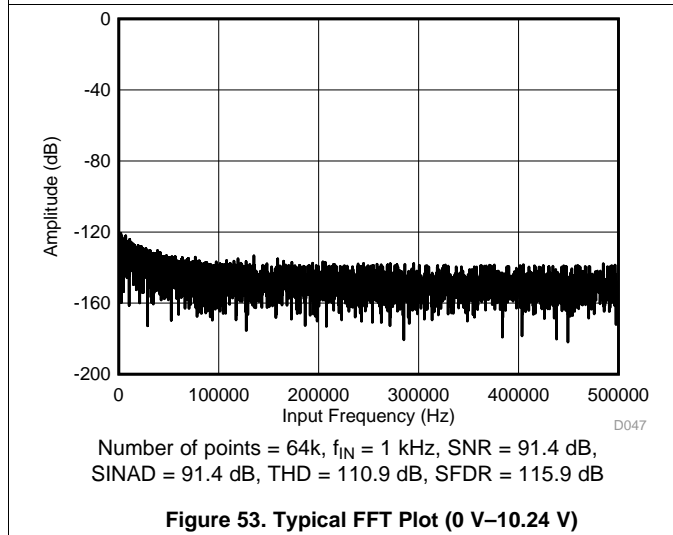


Figure 53. Typical FFT Plot (0 V–10.24 V)

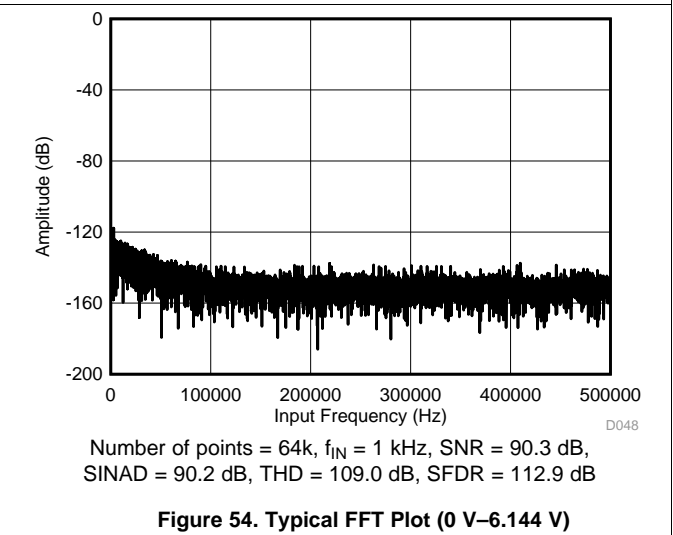


Figure 54. Typical FFT Plot (0 V–6.144 V)

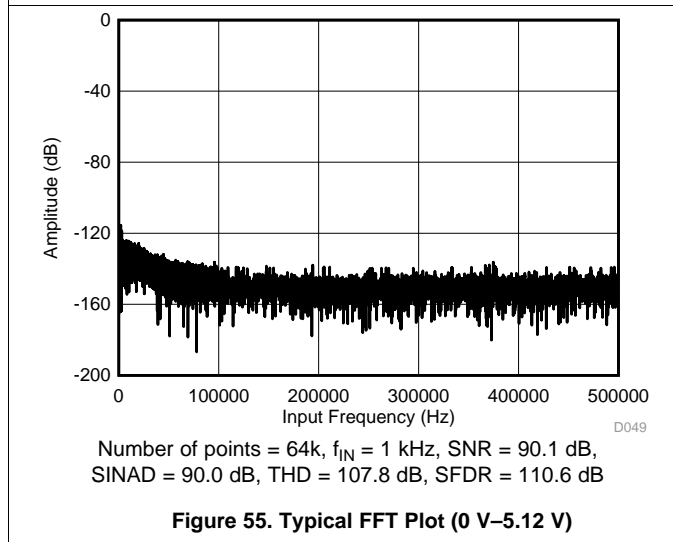


Figure 55. Typical FFT Plot (0 V–5.12 V)

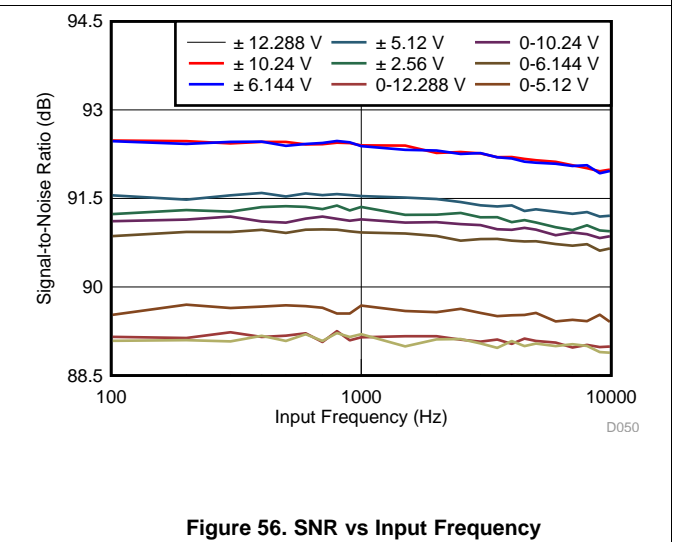


Figure 56. SNR vs Input Frequency

Typical Characteristics (continued)

at $T_A = 25^\circ\text{C}$, $AVDD = 5\text{ V}$, $DVDD = 3\text{ V}$, internal reference $V_{REF} = 4.096\text{ V}$, and $f_{SAMPLE} = 1\text{ MSPS}$ (unless otherwise noted)

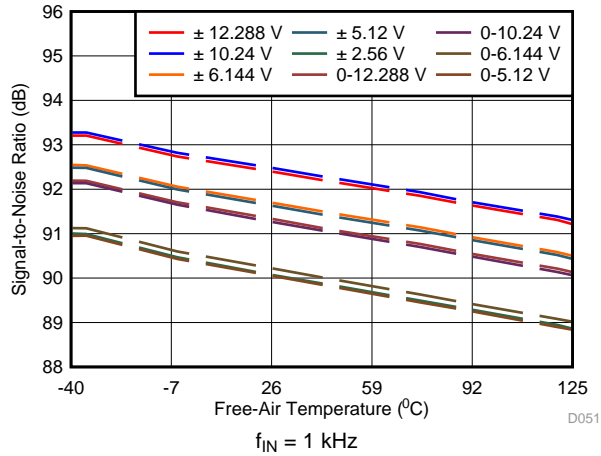


Figure 57. SNR vs Temperature

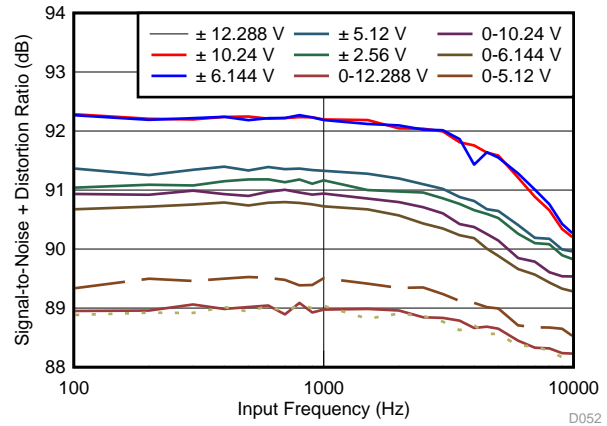


Figure 58. SINAD vs Input Frequency

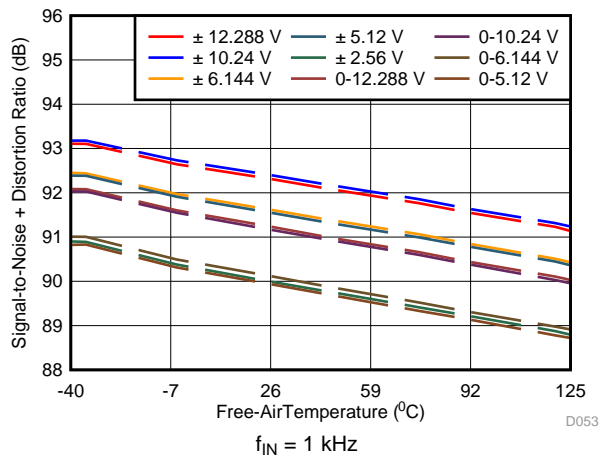


Figure 59. SINAD vs Temperature

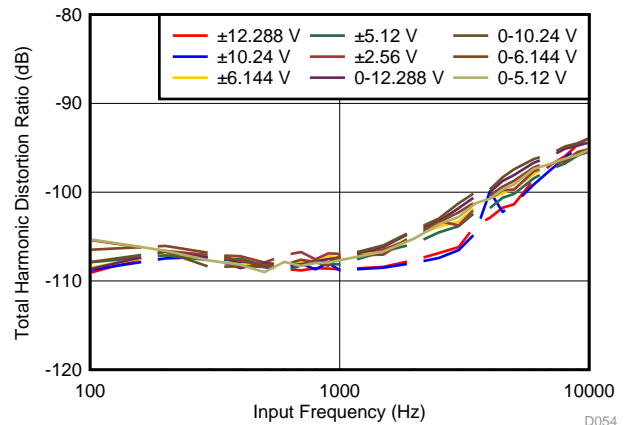


Figure 60. THD vs Input Frequency

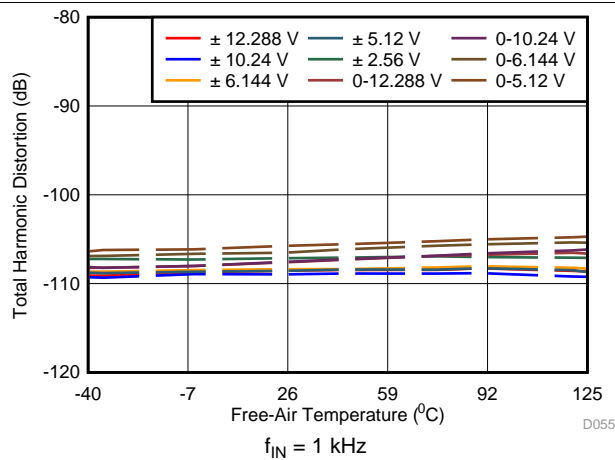


Figure 61. THD vs Temperature

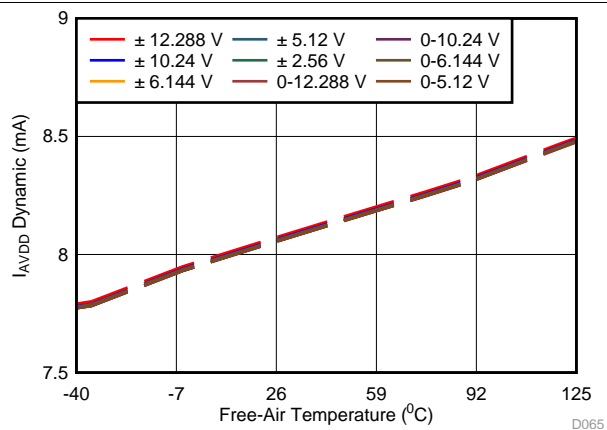
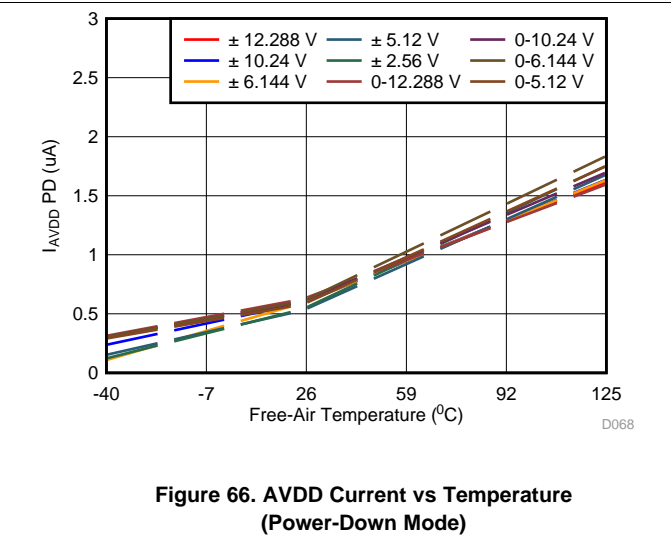
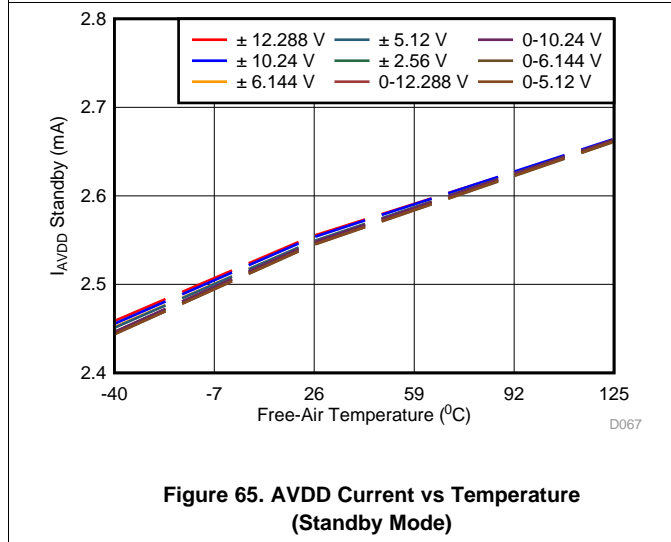
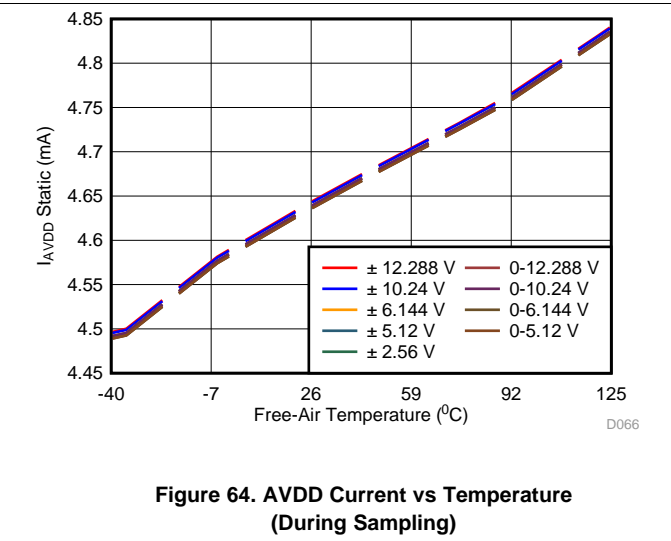
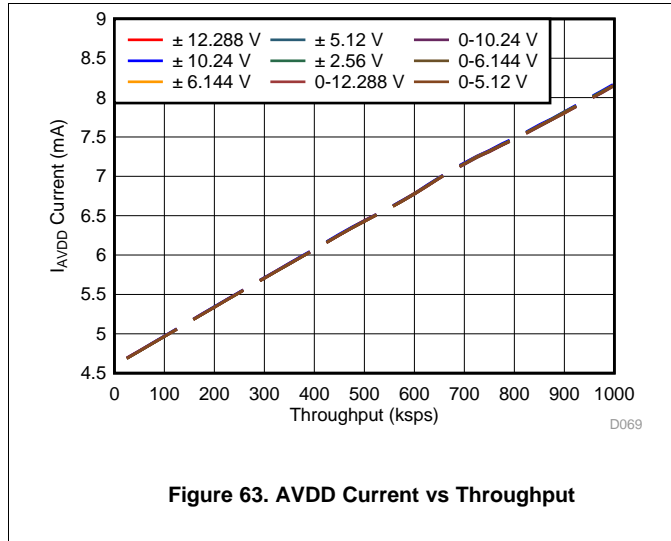


Figure 62. AVDD Current vs Temperature ($f_S = 1\text{ MSPS}$)

Typical Characteristics (continued)

at $T_A = 25^\circ\text{C}$, $AVDD = 5\text{ V}$, $DVDD = 3\text{ V}$, internal reference $V_{REF} = 4.096\text{ V}$, and $f_{SAMPLE} = 1\text{ MSPS}$ (unless otherwise noted)



8 Detailed Description

8.1 Overview

The ADS8681 is a high-performance, easy-to-use integrated data acquisition system that provides 16-bit of resolution at a maximum sampling rate of 1 MSPS. This single-channel device supports true bipolar input voltage swings up to ± 12.288 V, operating on a single 5-V analog supply. The device features an enhanced SPI interface (multiSPI) that allows the sampling rate to be maximized even with lower speed host controllers.

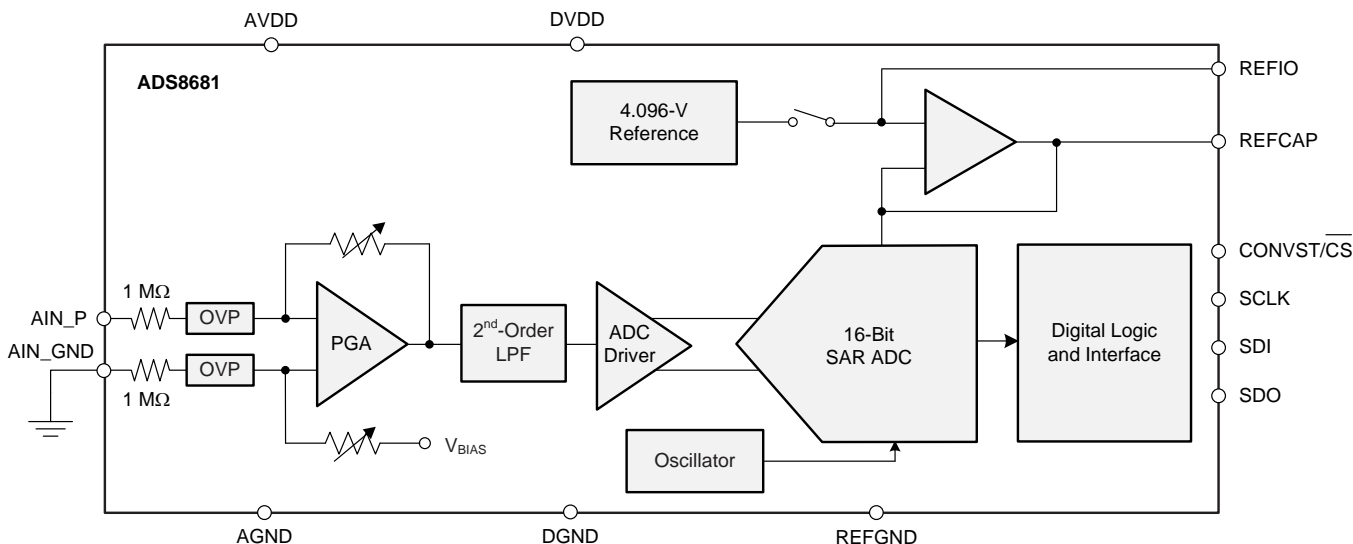
The ADS8681 consists of a high-precision successive approximation register (SAR) analog-to-digital converter (ADC) and a power-optimized analog front-end (AFE) circuit for signal conditioning that includes:

- A high-resistive input impedance (≥ 1 M Ω) that is independent of the sampling rate
- A programmable gain amplifier (PGA) with a pseudo-differential input configuration supporting nine software-programmable unipolar and bipolar input ranges
- A second-order, low-pass antialiasing filter
- An ADC driver amplifier that ensures quick settling of the SAR ADC input for high accuracy
- An input overvoltage protection circuit up to ± 20 V

The device also features a low temperature drift, 4.096-V internal reference with a fast-settling buffer and a multiSPI serial interface with daisy-chain (DAISY) and ALARM features.

The integration of the multichannel precision AFE circuit with high input impedance and a precision ADC operating from a single 5-V supply offers a simplified end solution without requiring external high-voltage bipolar supplies and complicated driver circuits.

8.2 Functional Block Diagram



8.3 Feature Description

8.3.1 Analog Input Structure

The ADS8681 features a pseudo-differential input structure, meaning that the single-ended analog input signal is applied at the positive input AIN_P and the negative input AIN_GND is tied to GND. [Figure 67](#) shows the simplified circuit schematic for the AFE circuit, including the input overvoltage protection circuit, PGA, low-pass filter (LPF), and high-speed ADC driver.

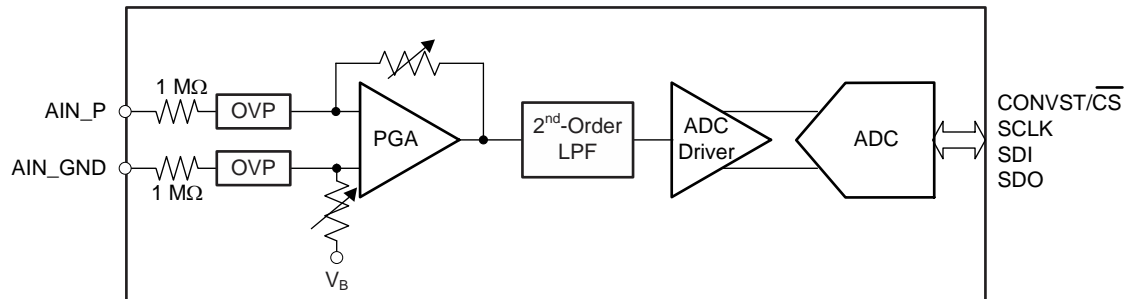


Figure 67. Simplified Analog Front-End Circuit Schematic

The device can support multiple unipolar or bipolar, single-ended input voltage ranges based on the configuration of the program registers. As explained in the [RANGE_SEL_REG register](#), the input voltage range for each analog channel can be configured to bipolar $\pm 3 \times V_{REF}$, $\pm 2.5 \times V_{REF}$, $\pm 1.5 \times V_{REF}$, $\pm 1.25 \times V_{REF}$, and $\pm 0.625 \times V_{REF}$ or unipolar 0 to $3 \times V_{REF}$, 0 to $2.5 \times V_{REF}$, 0 to $1.5 \times V_{REF}$ and 0 to $1.25 \times V_{REF}$. With the internal or external reference voltage set to 4.096 V, the input ranges of the device can be configured to bipolar ranges of ± 12.288 V, ± 10.24 V, ± 6.144 V, ± 5.12 V, and ± 2.56 V or unipolar ranges of 0 V to 12.288 V, 0 V to 10.24 V, 0 V to 6.144 V, and 0 V to 5.12 V.

The device samples the voltage difference ($AIN_P - AIN_GND$) between the analog input and the AIN_GND pin. The device allows a ± 0.1 -V range on the AIN_GND pin. This feature is useful in modular systems where the sensor or signal-conditioning block is further away from the ADC on the board and when a difference in the ground potential of the sensor or signal conditioner from the ADC ground is possible. In such cases, running separate wires from the AIN_GND pin of the device to the sensor or signal-conditioning ground is recommended. In order to obtain optimum performance, the input currents and impedances along each input path are recommended to be matched. The two single-ended signals to AIN_P and AIN_GND must be routed as symmetrically as possible from the signal source to the ADC input pins.

If the analog input pin (AIN_P) to the device is left floating, the output of the ADC corresponds to an internal biasing voltage. The output from the ADC must be considered as invalid if the device is operated with floating input pins. This condition does not cause any damage to the device, which becomes fully functional when a valid input voltage is applied to the pins.

8.3.2 Analog Input Impedance

The ADS8681 presents a resistive input impedance ≥ 1 MΩ on each of the analog inputs. The input impedance is independent of the ADC sampling frequency or the input signal frequency. The primary advantage of such high-impedance inputs is the ease of driving the ADC inputs without requiring driving amplifiers with low output impedance. Bipolar, high-voltage power supplies are not required in the system because this ADC does not require any high-voltage, front-end drivers. In most applications, the signal sources or sensor outputs can be directly connected to the ADC input, thus significantly simplifying the design of the signal chain.

In order to maintain the dc accuracy of the system, matching the external source impedance on the AIN_P input pin with an equivalent resistance on the AIN_GND pin is recommended. This matching helps cancel any additional offset error contributed by the external resistance.

Feature Description (continued)

8.3.3 Input Protection Circuit

The ADS8681 features an internal overvoltage protection (OVP) circuit on each of the analog inputs. Use the internal protection circuit only as a secondary protection scheme. The external protection devices in the end application are highly recommended to be used to protect against surges, electrostatic discharge (ESD), and electrical fast transient (EFT) conditions. A conceptual block diagram of the internal OVP circuit is shown in Figure 68.

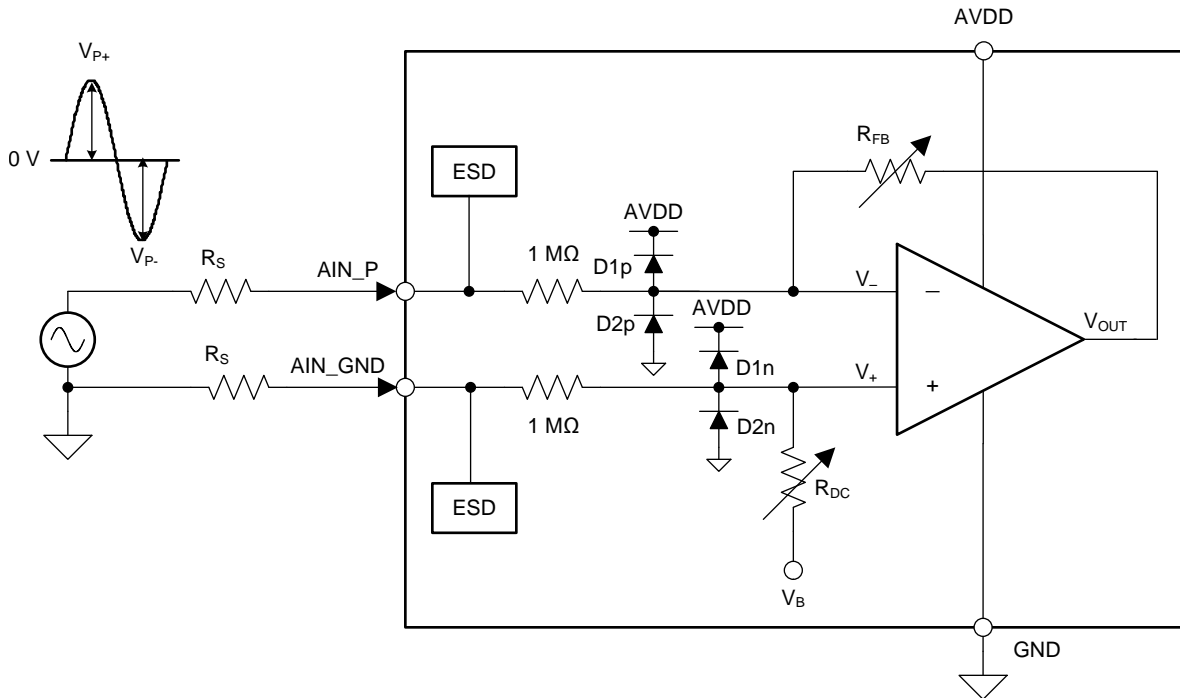


Figure 68. Input Overvoltage Protection Circuit Schematic

As shown in Figure 68, the combination of the 1-MΩ (or, 1.2 MΩ for appropriate input ranges) input resistors along with the PGA gain-setting resistors R_{FB} and R_{DC} limit the current flowing into the input pin. A combination of anti-parallel diodes, D1 and D2 are added to protect the internal circuitry and set the overvoltage protection limits.

Table 1 explains the various operating conditions for the device when powered on. This table indicates that when the device is properly powered up ($AVDD = 5\text{ V}$) or offers a low impedance of $< 30\text{ k}\Omega$, the internal overvoltage protection circuit can withstand up to $\pm 20\text{ V}$ on the analog input pins.

Table 1. Input Overvoltage Protection Limits When $AVDD = 5\text{ V}$ or Offers a Low Impedance of $< 30\text{ k}\Omega$ ⁽¹⁾

INPUT CONDITION ($V_{OVP} = \pm 20\text{ V}$)		TEST CONDITION	ADC OUTPUT	COMMENTS
CONDITION	RANGE			
$ V_{IN} < V_{RANGE} $	Within operating range	All input ranges	Valid	Device functions as per data sheet specifications.
$ V_{RANGE} < V_{IN} < V_{OVP} $	Beyond operating range but within overvoltage range	All input ranges	Saturated	ADC output is saturated, but device is internally protected (not recommended for extended time).
$ V_{IN} > V_{OVP} $	Beyond overvoltage range	All input ranges	Saturated	This usage condition can cause irreversible damage to the device.

(1) $GND = 0\text{ V}$, $AIN_GND = 0\text{ V}$, $|V_{RANGE}|$ is the maximum input voltage for any selected input range, and $|V_{OVP}|$ is the break-down voltage for the internal OVP circuit. Assume that R_S is approximately $0\ \Omega$.

The results indicated in [Table 1](#) are based on an assumption that the analog input pin is driven by a very low impedance source (R_S is approximately 0Ω). However, if the source driving the input has higher impedance, the current flowing through the protection diodes reduces further, thereby increasing the OVP voltage range. Note that higher source impedances result in gain errors and contribute to overall system noise performance.

[Figure 69](#) shows the voltage versus current response of the internal overvoltage protection circuit when the device is powered on. According to this current-to-voltage (I-V) response, the current flowing into the device input pin is limited by the $1\text{-M}\Omega$ (or $1.2 \text{ M}\Omega$ for appropriate input ranges) input impedance. However, for voltages beyond $\pm 20 \text{ V}$, the internal node voltages surpass the break-down voltage for internal transistors, thus setting the limit for overvoltage protection on the input pin.

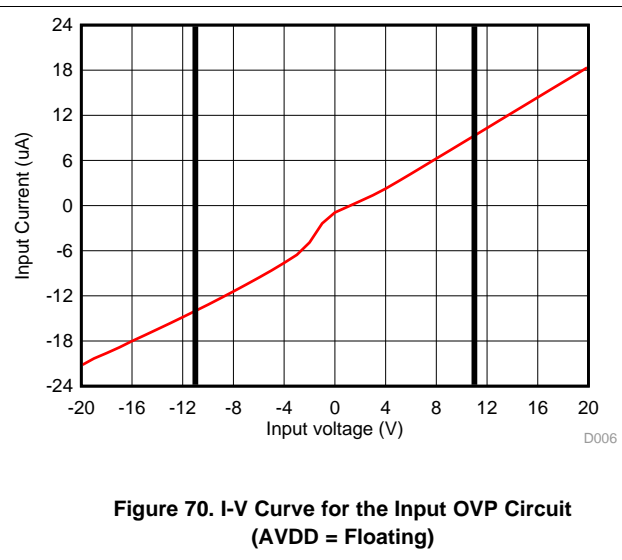
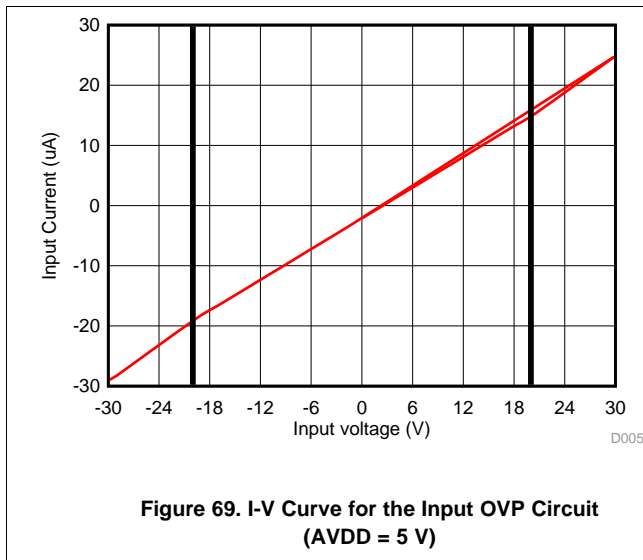
The same overvoltage protection circuit also provides protection to the device when the device is not powered on and AVDD is floating with an impedance $> 30 \text{ k}\Omega$. This condition can arise when the input signals are applied before the ADC is fully powered on. The overvoltage protection limits for this condition are shown in [Table 2](#).

Table 2. Input Overvoltage Protection Limits When AVDD = Floating with Impedance $> 30 \text{ k}\Omega$ ⁽¹⁾

INPUT CONDITION ($V_{\text{OVP}} = \pm 11 \text{ V}$)		TEST CONDITION	ADC OUTPUT	COMMENTS
CONDITION	RANGE			
$ V_{\text{IN}} < V_{\text{OVP}} $	Within overvoltage range	All input ranges	Invalid	Device is not functional but is protected internally by the OVP circuit.
$ V_{\text{IN}} > V_{\text{OVP}} $	Beyond overvoltage range	All input ranges	Invalid	This usage condition can cause irreversible damage to the device.

(1) AVDD = floating, GND = 0 V , AIN_GND = 0 V , $|V_{\text{RANGE}}|$ is the maximum input voltage for any selected input range, and $|V_{\text{OVP}}|$ is the break-down voltage for the internal OVP circuit. Assume that R_S is approximately 0Ω .

[Figure 70](#) shows the I-V response of the internal overvoltage protection circuit when the device is not powered on. According to this I-V response, the current flowing into the device input pin is limited by the $1\text{-M}\Omega$ input impedance. However, for voltages beyond $\pm 11 \text{ V}$, the internal node voltage surpasses the break-down voltage for internal transistors, thus setting the limit for overvoltage protection on the input pin.



8.3.4 Programmable Gain Amplifier (PGA)

The ADS8681 features a programmable gain amplifier (PGA) as part of the analog signal-conditioning circuit that converts the original single-ended input signal into a fully-differential signal to drive the internal 16-bit ADC. The PGA also adjusts the common-mode level of the input signal before feeding it into the ADC to ensure maximum usage of the ADC input dynamic range. Depending on the range of the input signal, the PGA gain can be adjusted by setting the RANGE_SEL[3:0] bits in the configuration register (see the RANGE_SEL_REG register). The default or power-on state for the RANGE_SEL[3:0] bits is 0000, corresponding to an input signal range of $\pm 3 \times V_{REF}$. Table 3 lists the various configurations of the RANGE_SEL[3:0] bits for the different analog input voltage ranges.

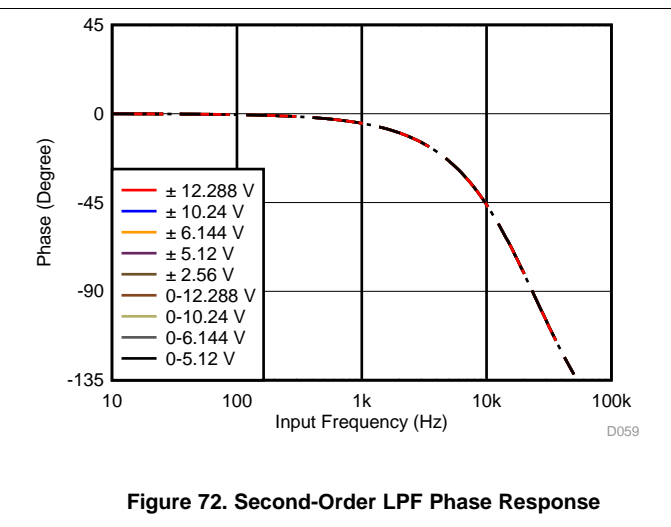
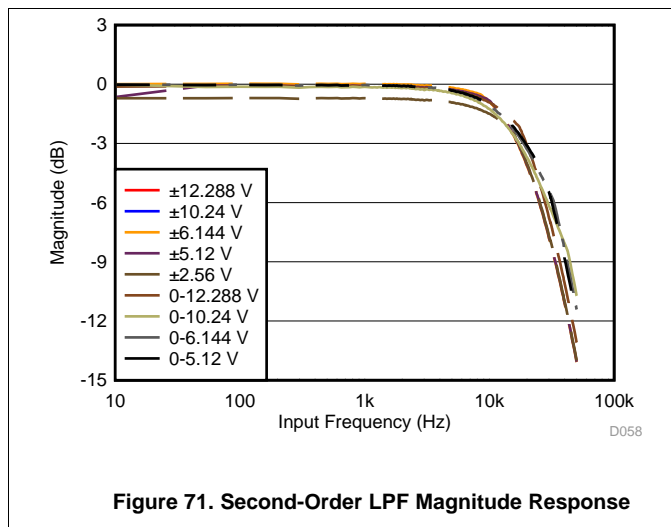
The PGA uses a precisely-matched network of resistors for multiple gain configurations. Matching between these resistors is accurately trimmed to keep the overall gain error low across all input ranges.

Table 3. Input Range Selection Bits Configuration

ANALOG INPUT RANGE	RANGE_SEL[3:0]			
	BIT 3	BIT 2	BIT 1	BIT 0
$\pm 3 \times V_{REF}$	0	0	0	0
$\pm 2.5 \times V_{REF}$	0	0	0	1
$\pm 1.5 \times V_{REF}$	0	0	1	0
$\pm 1.25 \times V_{REF}$	0	0	1	1
$\pm 0.625 \times V_{REF}$	0	1	0	0
$0-3 \times V_{REF}$	1	0	0	0
$0-2.5 \times V_{REF}$	1	0	0	1
$0-1.5 \times V_{REF}$	1	0	1	0
$0-1.25 \times V_{REF}$	1	0	1	1

8.3.5 Second-Order, Low-Pass Filter (LPF)

In order to mitigate the noise of the front-end amplifier and gain resistors of the PGA, the AFE circuit of the ADS8681 features a second-order, antialiasing LPF at the output of the PGA. The magnitude and phase response of the analog antialiasing filter are shown in Figure 71 and Figure 72, respectively. For maximum performance, the -3-dB cutoff frequency for the antialiasing filter is typically set to 15 kHz. The performance of the filter is consistent across all input ranges supported by the ADC.



8.3.6 ADC Driver

In order to meet the performance of a 16-bit, SAR ADC at the maximum sampling rate (1 MSPS), the sample-and-hold capacitors at the input of the ADC must be successfully charged and discharged during the acquisition time window. This drive requirement at the input of the ADC necessitates the use of a high-bandwidth, low-noise, and stable amplifier buffer. Such an input driver is integrated in the front-end signal path of the analog input channel of the device.

8.3.7 Reference

The ADS8681 can operate with either an internal voltage reference or an external voltage reference using the internal buffer. The internal or external reference selection is determined by programming the INTREF_DIS bit of the [RANGE_SEL_REG register](#). The internal reference source is enabled (INTREF_DIS = 0) by default after reset or when the device powers up. The INTREF_DIS bit must be programmed to logic 1 to disable the internal reference source whenever an external reference source is used.

8.3.7.1 Internal Reference

The ADS8681 features an internal reference source with a nominal output value of 4.096 V. In order to select the internal reference, the INTREF_DIS bit of the RANGE_SEL_REG register must be programmed to logic 0. When the internal reference is used, the REFIO pin becomes an output with the internal reference value. A 4.7- μ F (minimum) decoupling capacitor is recommended to be placed between the REFIO pin and REFGND, as shown in [Figure 73](#). The capacitor must be placed as close to the REFIO pin as possible. The output impedance of the internal band-gap circuit creates a low-pass filter with this capacitor to band-limit the noise of the reference. The use of a smaller capacitor value allows higher reference noise in the system that can potentially degrade SNR and SINAD performance. The REFIO pin must not be used to drive external ac or dc loads because of limited current output capability. The REFIO pin can be used as a source if followed by a suitable op amp buffer (such as the [OPA320](#)).

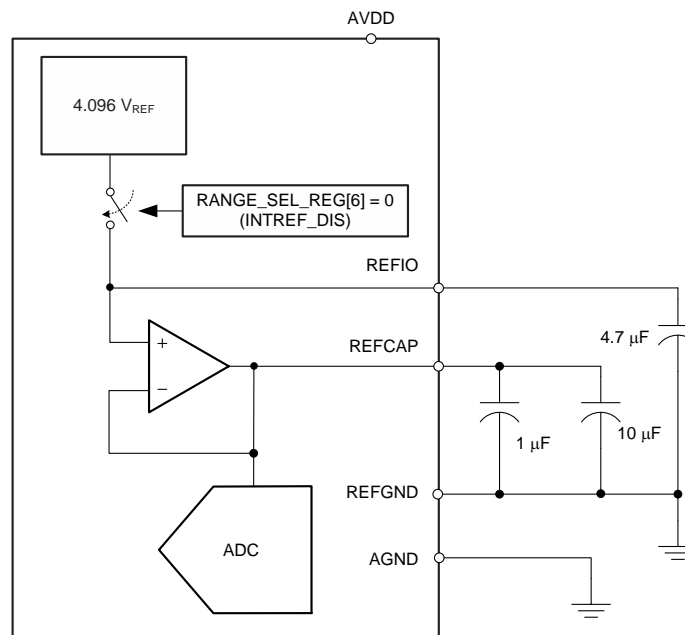


Figure 73. Device Connections for Using an Internal 4.096-V Reference

The device internal reference is factory-trimmed to ensure the initial accuracy specification. The histogram in Figure 74 shows the distribution of the internal voltage reference output taken from more than 3420 production devices.

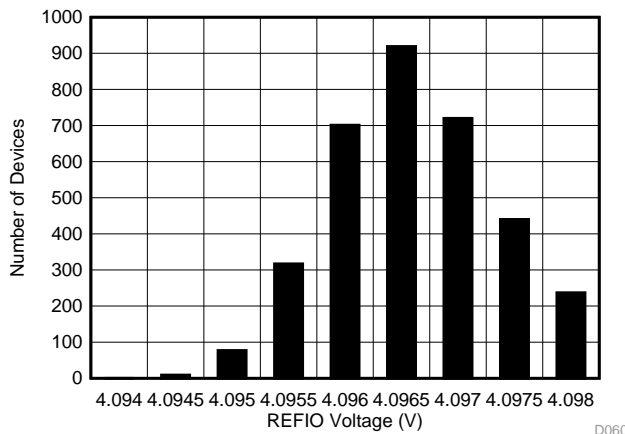


Figure 74. Internal Reference Accuracy Histogram at Room Temperature

The initial accuracy specification for the internal reference can be degraded if the die is exposed to any mechanical or thermal stress. Heating the device when being soldered to a printed circuit board (PCB) and any subsequent solder reflow is a primary cause for shifts in the V_{REF} value. The main cause of thermal hysteresis is a change in die stress and is therefore a function of the package, die-attach material, and molding compound, as well as the layout of the device itself.

In order to illustrate this effect, 30 devices were soldered using lead-free solder paste with the manufacturer suggested reflow profile, as explained in application report AN-2029 *Handling & Process Recommendations* (SNOA550). The internal voltage reference output is measured before and after the reflow process and the typical shift in value is shown in Figure 75. Although all tested units exhibit a positive shift in their output voltages, negative shifts are also possible. Note that the histogram in Figure 75 shows the typical shift for exposure to a single reflow profile. Exposure to multiple reflows, which is common on PCBs with surface-mount components on both sides, causes additional shifts in the output voltage. If the PCB is to be exposed to multiple reflows, solder the ADS8681 in the second pass to minimize device exposure to thermal stress.

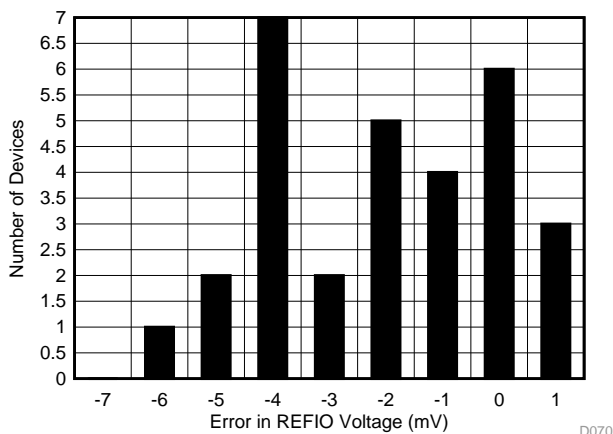
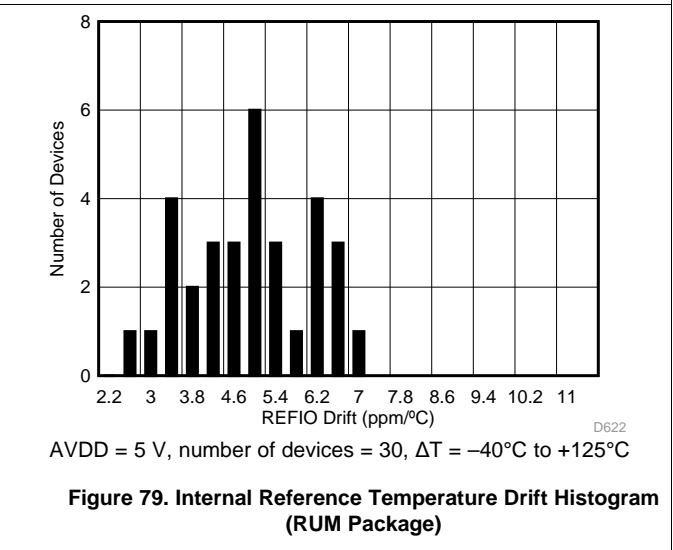
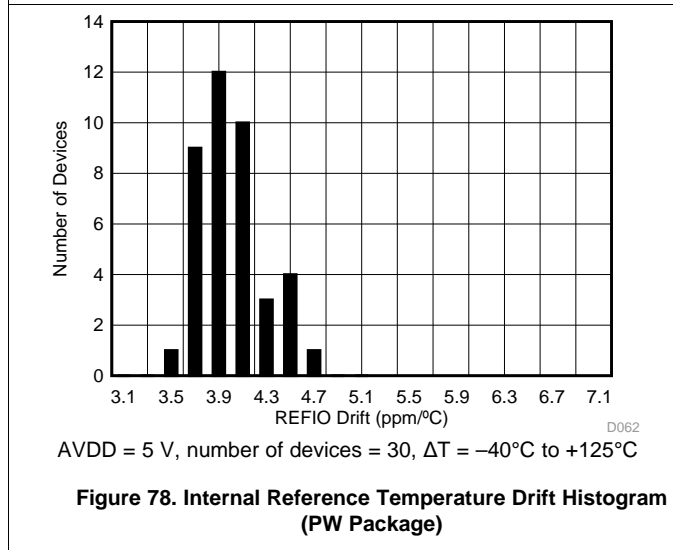
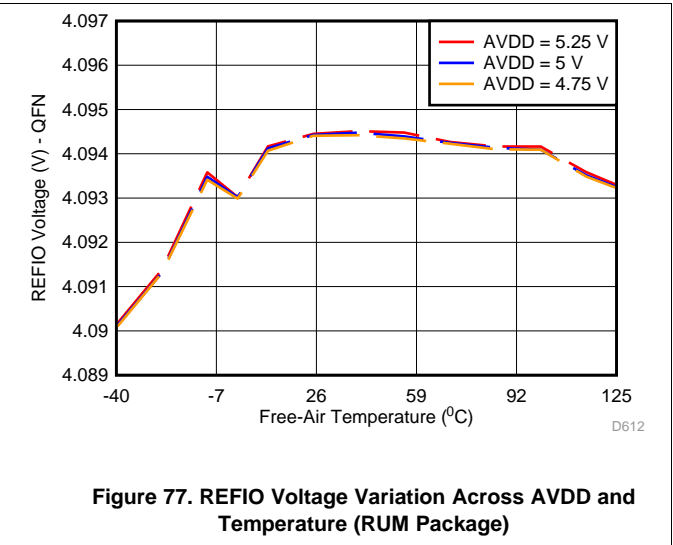
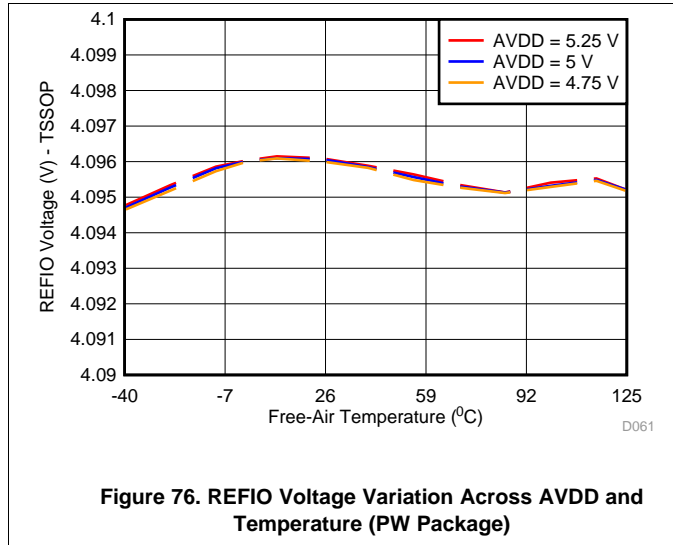


Figure 75. Solder Heat Shift Distribution Histogram

The internal reference is also temperature compensated to provide excellent temperature drift over an extended industrial temperature range of -40°C to $+125^{\circ}\text{C}$. Figure 76 and Figure 77 show the variation of the internal reference voltage across temperature for different values of the AVDD supply voltage. Note that the temperature drift of the internal reference is also a function of the package type. Figure 78 and Figure 79 show histogram distribution of the reference voltage drift for the TSSOP (PW) and WQFN (RUM) packages, respectively.



8.3.7.2 External Reference

For applications that require a better reference voltage or a common reference voltage for multiple devices, the ADS8681 provides a provision to use an external reference source along with an internal buffer to drive the ADC reference pin. In order to select the external reference mode, the INTREF_DIS bit of the RANGE_SEL_REG register must be programmed to logic 1. In this mode, an external 4.096-V reference must be applied at the REFIO pin, which functions as an input. Any low-power, low-drift, or small-size external reference can be used in this mode because the internal buffer is optimally designed to handle the dynamic loading on the REFCAP pin that is internally connected to the ADC reference input. The output of the external reference must be appropriately filtered to minimize the resulting effect of the reference noise on system performance. A typical connection diagram for this mode is shown in Figure 80.

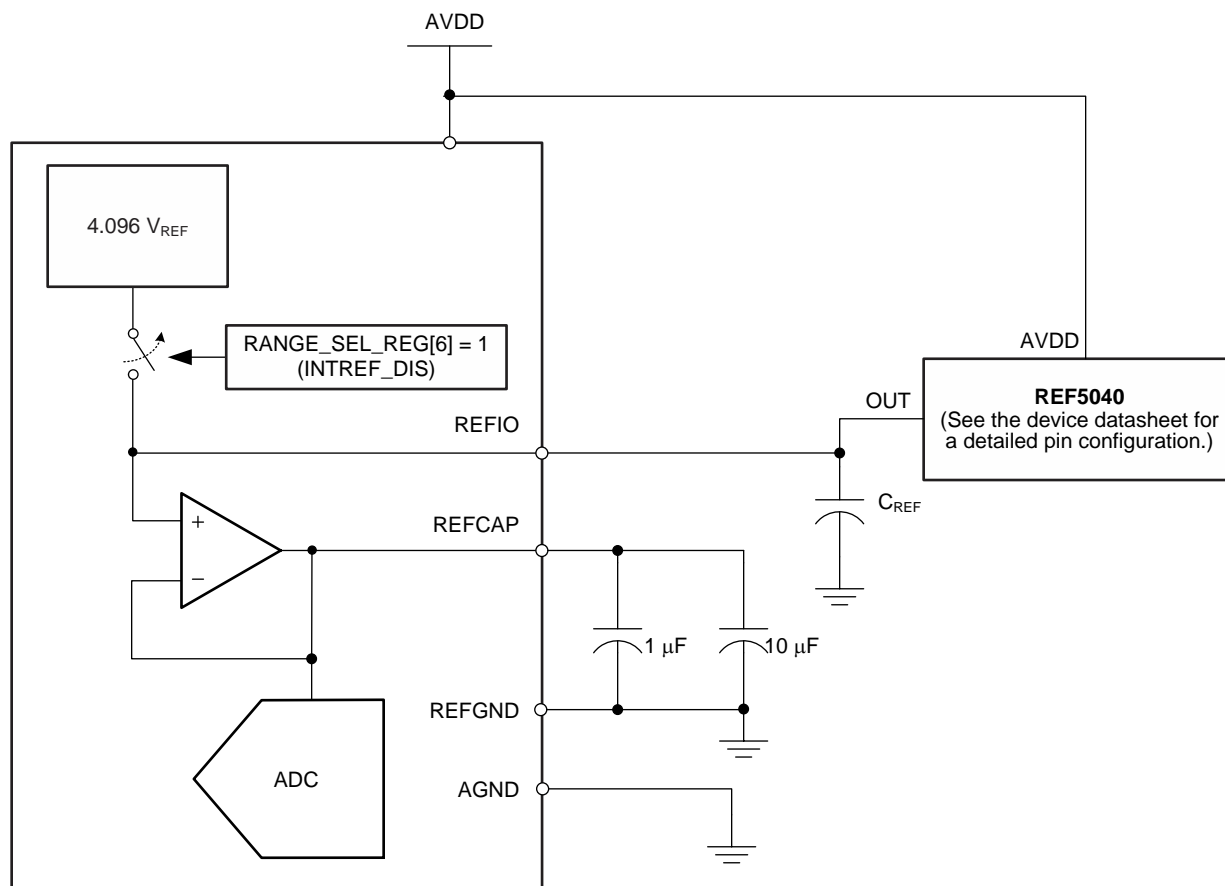
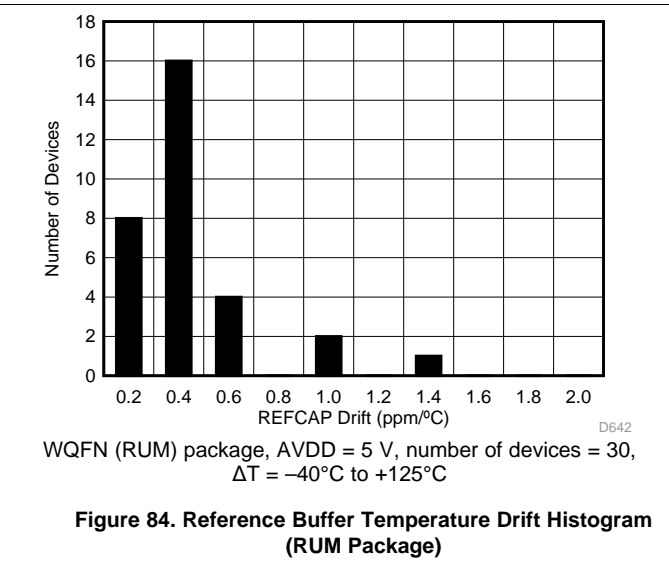
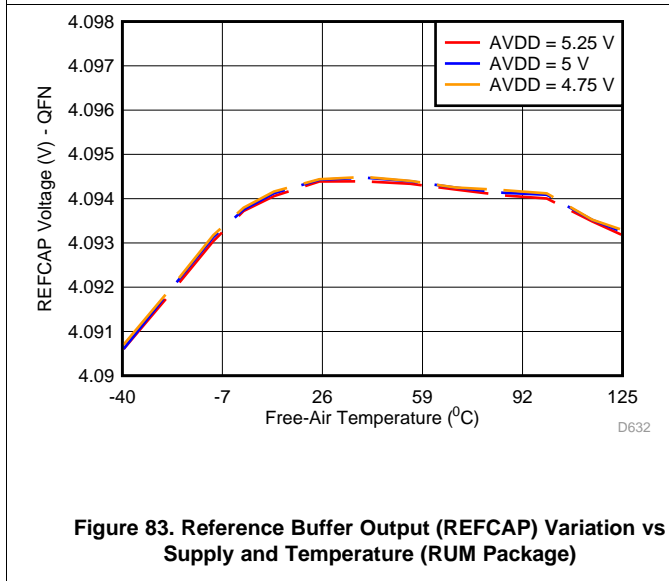
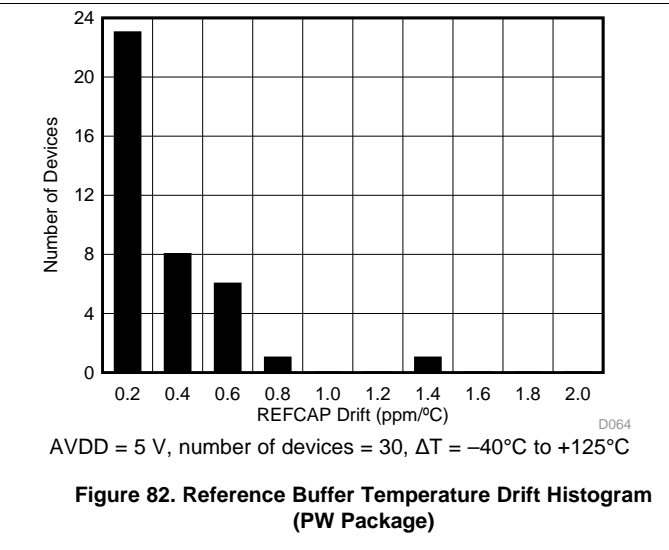
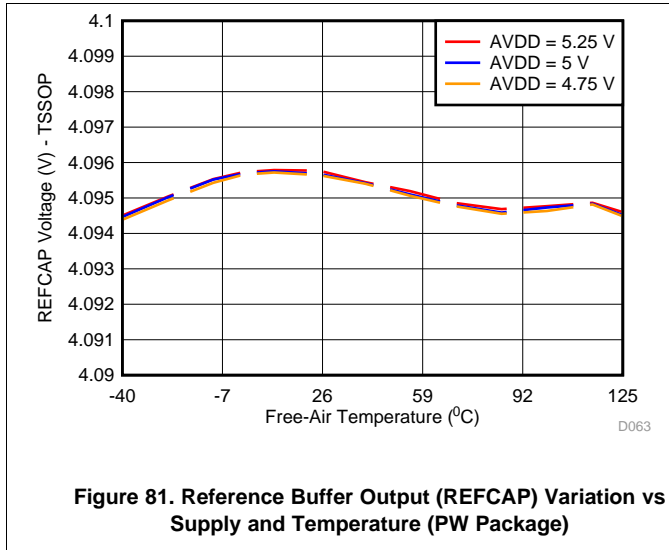


Figure 80. Device Connections for Using an External 4.096-V Reference

The output of the internal reference buffer appears at the REFCAP pin. A minimum capacitance of 10 µF must be placed between the REFCAP and REFGND pins. Place another capacitor of 1 µF as close to the REFCAP pin as possible for decoupling high-frequency signals. Do not use the internal buffer to drive external ac or dc loads because of the limited current output capability of this buffer.

The performance of the internal buffer output is very stable across the entire operating temperature range of -40°C to $+125^{\circ}\text{C}$. [Figure 81](#) (for the PW package) and [Figure 83](#) (for the RUM package) show the variation in the REFCAP output across temperature for different values of the AVDD supply voltage. The typical specified value of the reference buffer drift over temperature is $0.5\text{ ppm}/^{\circ}\text{C}$, as shown in [Figure 82](#) (for the PW package) and [Figure 84](#) (for the RUM package), and the maximum specified temperature drift is equal to $2\text{ ppm}/^{\circ}\text{C}$.



8.3.8 ADC Transfer Function

The ADS8681 is a single-channel device that supports a pseudo-differential input supporting both bipolar and unipolar input ranges. The output of the device is in straight-binary format for both bipolar and unipolar input ranges.

The ideal transfer characteristic for all input ranges is shown in [Figure 85](#). The full-scale range (FSR) for each input signal is equal to the difference between the positive full-scale (PFS) input voltage and the negative full-scale (NFS) input voltage. The LSB size is equal to $FSR / 2^{16} = FSR / 65536$ because the resolution of the ADC is 16 bits. For a reference voltage of $V_{REF} = 4.096$ V, the LSB values corresponding to the different input ranges are listed in [Table 4](#).

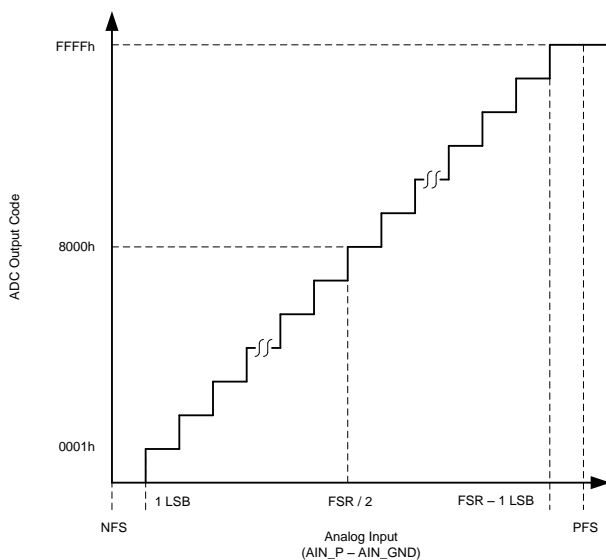


Figure 85. 16-Bit ADC Transfer Function (Straight-Binary Format)

Table 4. ADC LSB Values for Different Input Ranges ($V_{REF} = 4.096$ V)

INPUT RANGE	POSITIVE FULL-SCALE (V)	NEGATIVE FULL-SCALE (V)	FULL-SCALE RANGE (V)	LSB (μ V)
$\pm 3 \times V_{REF}$	12.288	-12.288	24.576	375.0
$\pm 2.5 \times V_{REF}$	10.24	-10.24	20.48	312.5
$\pm 1.5 \times V_{REF}$	6.144	-6.144	12.288	187.5
$\pm 1.25 \times V_{REF}$	5.12	-5.12	10.24	156.25
$\pm 0.625 \times V_{REF}$	2.56	-2.56	5.12	78.125
0 to $3 \times V_{REF}$	12.288	0	12.288	187.5
0 to $2.5 \times V_{REF}$	10.24	0	10.24	156.25
0 to $1.5 \times V_{REF}$	6.144	0	6.144	93.75
0 to $1.25 \times V_{REF}$	5.12	0	5.12	78.125

8.3.9 Alarm Features

The ADS8681 features an active-high alarm output on the ALARM/SDO-1/GPO pin, provided that the pin is configured for alarm functionality. In order to enable the ALARM output on the multi-function pin, the SDO1_CONFIG[1:0] bits of the SDO_CTL_REG register must be programmed as 01b (see the [SDO_CTL_REG register](#)).

The device features two types of alarm functions: an input alarm and an AVDD alarm.

- For the input alarm, the voltage at the input of the ADC is monitored and compared against user-programmable high and low threshold values. The device sets an active high alarm output when the corresponding digital value of the input signal goes beyond the high or low threshold set by the user; see the [Input Alarm](#) section for a detailed explanation of the input alarm feature functionality.
- For the AVDD alarm, the analog supply voltage (AVDD) of the ADC is monitored and compared against the specified typical low threshold (4.7 V) and high threshold (5.3 V) values of the AVDD supply. The device sets an active high alarm output if the value of AVDD crosses the specified low (4.7 V) and high threshold (5.3 V) values in either direction.

When the alarm functionality is turned on, both the input and AVDD alarm functions are enabled by default. These alarm functions can be selectively disabled by programming the IN_AL_DIS and VDD_AL_DIS bits (respectively) of the [RST_PWRCTL_REG register](#).

Each alarm (input alarm or AVDD alarm) has two types of alarm flags associated with it: the *active* alarm flag and the *tripped* alarm flag. The various alarm flags can be read in the [ALARM_REG register](#). Both flags are set when the associated alarm is triggered. However while the active alarm is cleared at the end of the current ADC conversion (and set again if the alarm condition persists), the tripped flag is cleared only after ALARM_REG is read.

The ALARM output flags are updated internally at the end of every conversion. These output flags can be read during any data frame that the user initiates by bringing the CONVST/ $\overline{\text{CS}}$ signal to a low level.

The ALARM output flags can be read in three different ways: either via the ALARM output pin, by reading the internal ALARM registers, or by appending the ALARM flags to the data output.

- A high level on the ALARM pin indicates an over- or undervoltage condition on AVDD or on the analog input channel of the device. This pin can be wired to interrupt the host input.
- The internal ALARM flag bits in the [ALARM_REG register](#) are updated at the end of conversion. After receiving an ALARM interrupt on the output pin, the internal alarm flag registers can be read to obtain more details on the conditions that generated the alarm.
- The alarm output flags can be selectively appended to the data output bit stream (see the [DATAOUT_CTL_REG register](#) for configuration details).

Figure 86 shows a functional block diagram for the device alarm functionality.

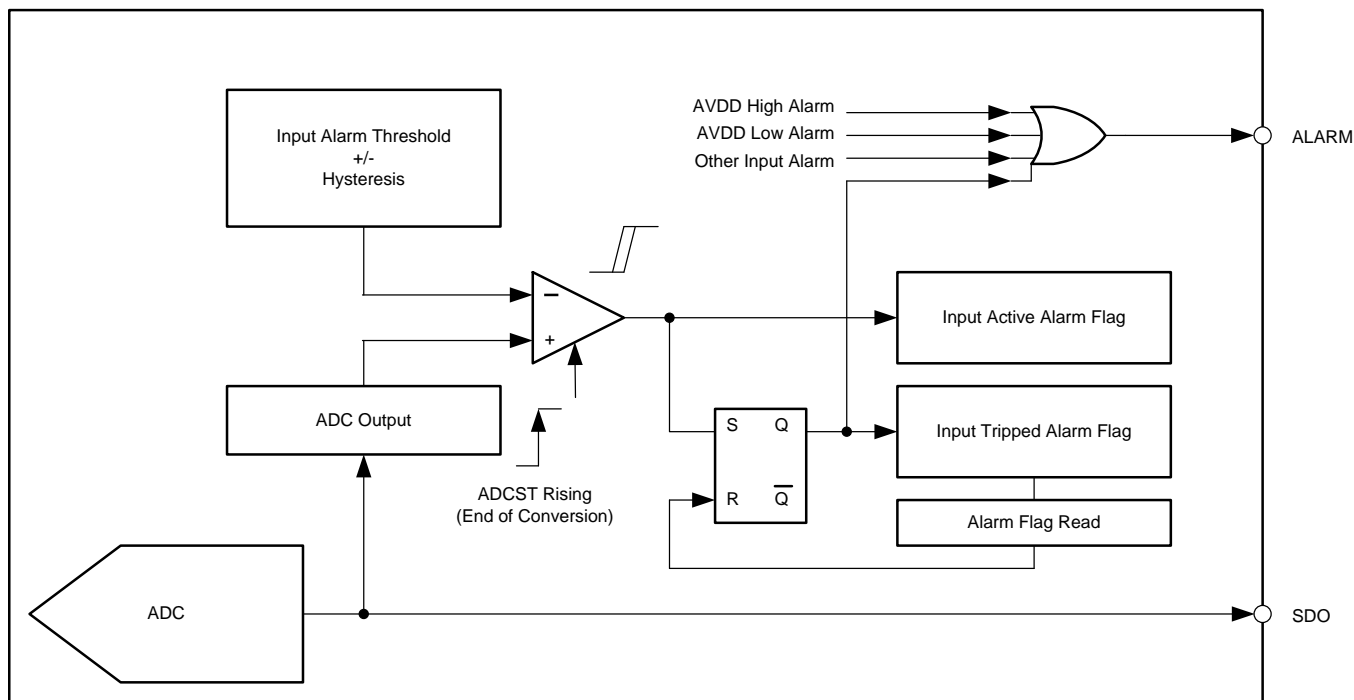


Figure 86. Alarm Functionality Schematic

8.3.9.1 Input Alarm

The ADS8681 features a high and a low alarm on the analog input. The alarms corresponding to the input signal have independently-programmable thresholds and a common hysteresis setting that can be controlled through the [ALARM_H_TH_REG](#) and [ALARM_L_TH_REG](#) registers.

The device sets the input high alarm when the digital output exceeds the high alarm upper limit [high alarm threshold (T) + hysteresis (H)]. The alarm resets when the digital output is less than or equal to the high alarm lower limit (high alarm T – H – 2). This function is shown in [Figure 87](#).

Similarly, the input low alarm is triggered when the digital output falls below the low alarm lower limit (low alarm threshold T – H – 1). The alarm resets when the digital output is greater than or equal to the low alarm higher limit (low alarm T + H + 1). This function is shown in [Figure 88](#).

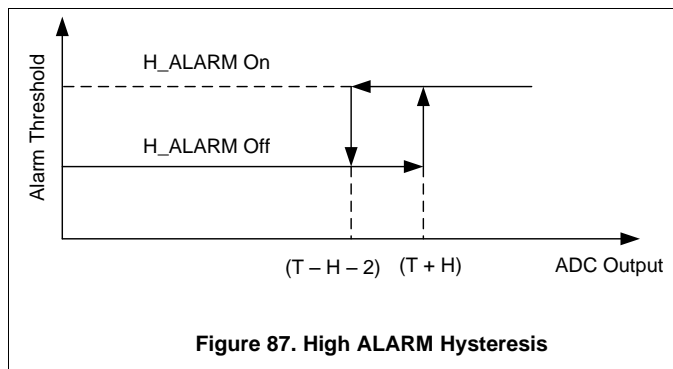


Figure 87. High ALARM Hysteresis

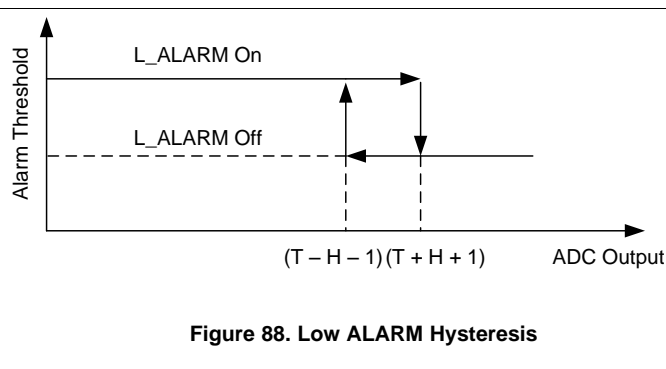


Figure 88. Low ALARM Hysteresis

8.3.9.2 AVDD Alarm

The ADS8681 features a high and a low alarm on the analog voltage supply, AVDD. Unlike the input signal alarm, the AVDD alarm has fixed trip points that are set by design. The device features an internal analog comparator that constantly monitors the analog supply against the high and low threshold voltages. The high alarm is set if AVDD exceeds a typical value of 5.3 V and the low alarm is asserted if AVDD drops below 4.7 V. This feature is specially useful for debugging unusual device behavior caused by a glitch or brown-out condition on the analog AVDD supply.

8.4 Device Functional Modes

The ADS8681 features the multiSPI digital interface for communication and data transfer between the device and the host controller. The multiSPI interface supports many data transfer protocols that the host uses to exchange data and commands with the device. The host can transfer data into the device using one of the standard SPI modes. However, the device can be configured to output data in a number of ways to suit the application demands of throughput and latency. The data output in these modes can be controlled either by the host or the device, and the timing can either be system synchronous or source synchronous. For detailed explanation of the supported data transfer protocols, see the [Data Transfer Protocols](#) section.

This section describes the main components of the digital interface module as well as supported configurations and protocols. As shown in [Figure 89](#), the interface module is comprised of shift registers (both input and output), configuration registers, and a protocol unit. During any particular data frame, data are transferred both into and out of the device. As a result, the host always perceives the device as a 32-bit input-output shift register, as shown in [Figure 89](#).

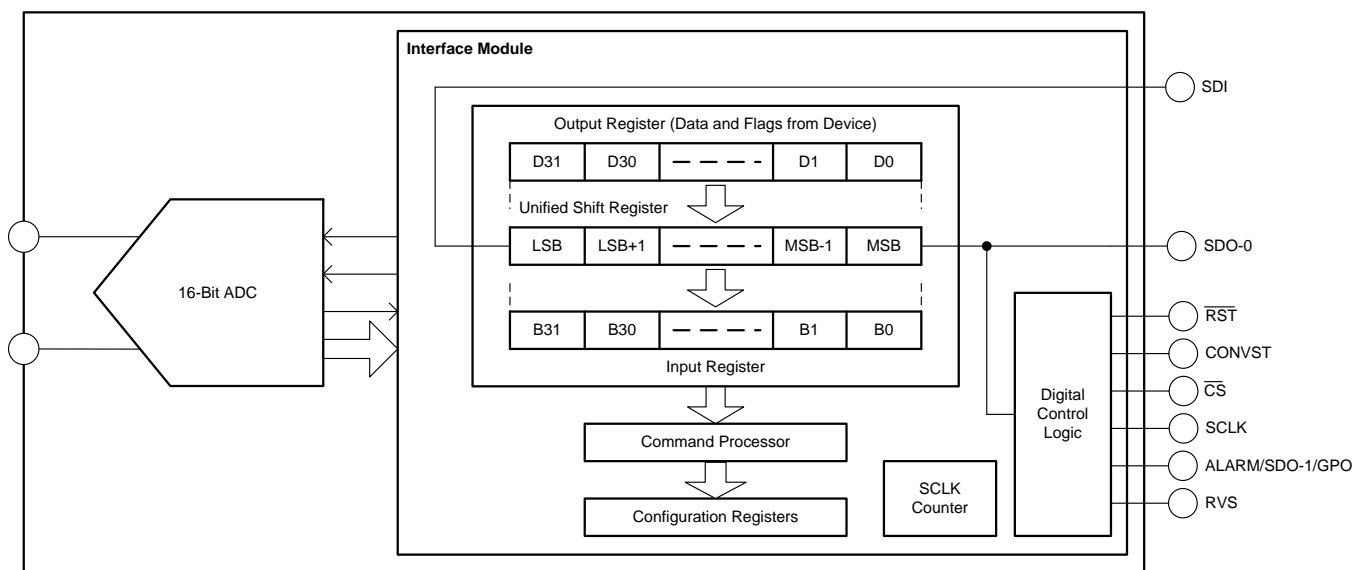


Figure 89. Device Interface Module

The [Pin Configuration and Functions](#) section provides descriptions of the interface pins; the [Data Transfer Frame](#) section details the functions of shift registers, the SCLK counter, and the command processor; the [Data Transfer Protocols](#) section details supported protocols; and the [Register Maps](#) section explains the configuration registers and bit settings.

8.4.1 Host-to-Device Connection Topologies

The multiSPI interface and device configuration registers offer great flexibility in the ways a host controller can exchange data or commands with the device. This section describes how to select the hardware connection topology to meet different system requirements.

Device Functional Modes (continued)

8.4.1.1 Single Device: All multiSPI Options

Figure 90 shows the pin connection between a host controller and a stand-alone device to exercise all options provided by the multiSPI interface.

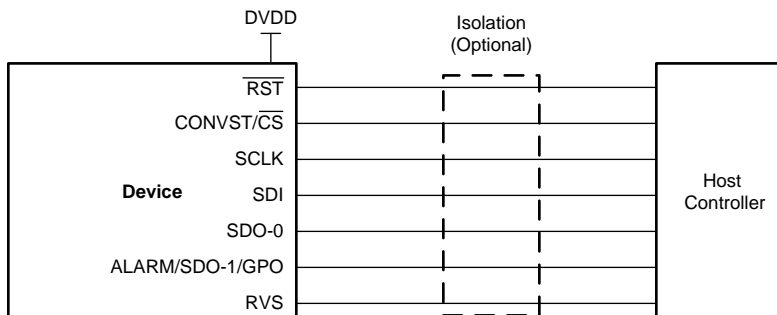


Figure 90. All multiSPI Protocols Pin Configuration

8.4.1.2 Single Device: Standard SPI Interface

Figure 91 shows the minimum pin interface for applications using a standard SPI protocol.

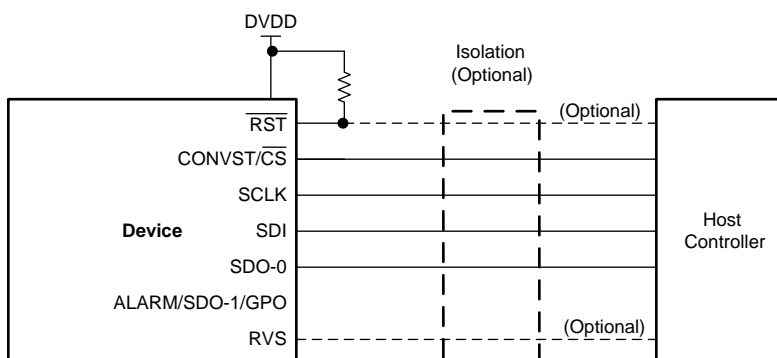


Figure 91. Standard SPI Protocol Pin Configuration

The CONVST/CS, SCLK, SDI, and SDO-0 pins constitute a standard SPI port of the host controller. The RST pin can be tied to DVDD. The RVS pin can be monitored for timing benefits. The ALARM/SDO-1/GPO pin may not have any external connection.

Device Functional Modes (continued)

8.4.1.3 Multiple Devices: Daisy-Chain Topology

A typical connection diagram showing multiple devices in a daisy-chain topology is shown in [Figure 92](#).

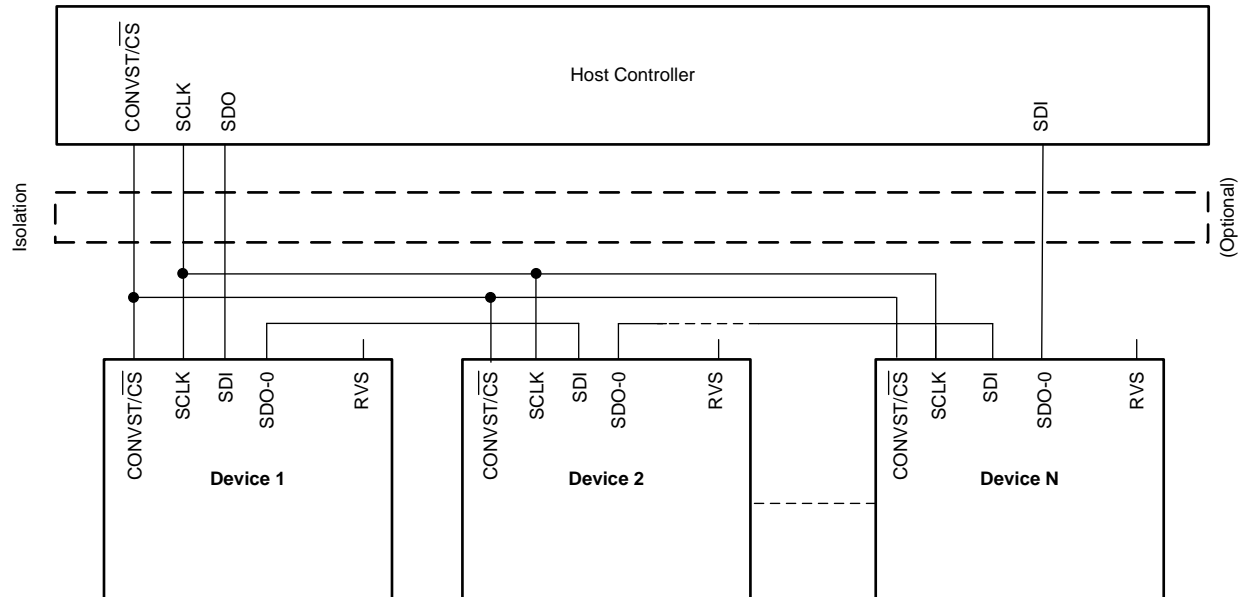


Figure 92. Daisy-Chain Connection Schematic

The $\overline{\text{CONVST/CS}}$ and SCLK inputs of all devices are connected together and controlled by a single $\overline{\text{CONVST/CS}}$ and SCLK pin of the host controller, respectively. The SDI input pin of the first device in the chain (device 1) is connected to the SDO-x pin of the host controller, the SDO-0 output pin of device 1 is connected to the SDI input pin of device 2, and so forth. The SDO-0 output pin of the last device in the chain (device N) is connected to the SDI pin of the host controller.

To operate multiple devices in a daisy-chain topology, the host controller must program the configuration registers in each device with identical values. The devices must operate with a single SDO-0 output, using the external clock with any of the legacy, SPI-compatible protocols for data read and data write operations. In the [SDO_CTL_REG register](#), bits 7-0 must be programmed to 00h.

All devices in the daisy-chain topology sample their analog input signals on the rising edge of the $\overline{\text{CONVST/CS}}$ signal and the data transfer frame starts with a falling edge of the same signal. At the launch edge of the SCLK signal, every device in the chain shifts out the MSB to the SDO-0 pin. On every SCLK capture edge, each device in the chain shifts in data received on its SDI pin as the LSB bit of the unified shift register; see [Figure 89](#). Therefore, in a daisy-chain configuration, the host controller receives the data of device N, followed by the data of device N-1, and so forth (in MSB-first fashion). On the rising edge of the $\overline{\text{CONVST/CS}}$ signal, each device decodes the contents in its unified and takes appropriate action.

Device Functional Modes (continued)

A typical timing diagram for three devices connected in a daisy-chain topology and using the SPI-00-S protocol is shown in Figure 93.

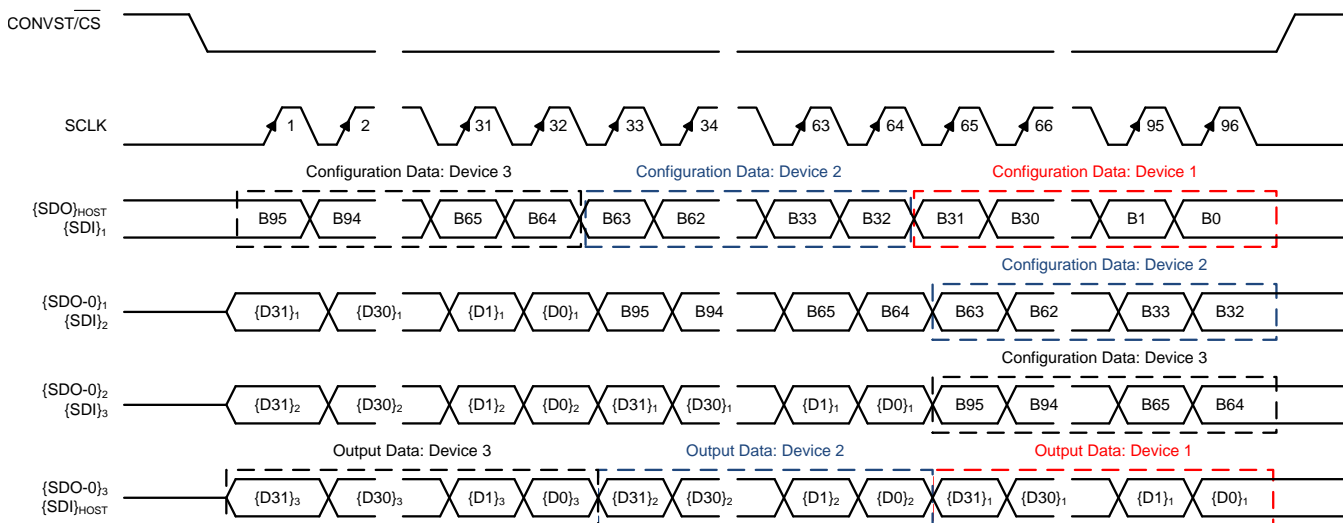


Figure 93. Three Devices in Daisy-Chain Mode Timing Diagram

For N devices connected in a daisy-chain topology, an optimal data transfer frame must contain 16 × N SCLK capture edges. The length of the data frame is based on the assumption that during such a data frame, the device internal registers are not being configured and none of the output flags are enabled for any of the devices (see the DATAOUT_CTL_REG register). For a longer data transfer frame up to 32 × N SCLK capture edges (as shown in Figure 93), the host controller must appropriately align the configuration data for each device before bringing CONVST/CS high. A shorter data transfer frame can result in an erroneous device configuration and must be avoided.

Note that the overall throughput of the system is proportionally reduced with the number of devices connected in a daisy-chain topology.

8.4.2 Device Operational Modes

As shown in Figure 94, the device supports three functional states: RESET, ACQ, and CONV. The device state is determined by the status of the CONVST/CS and RST control signals provided by the host controller.

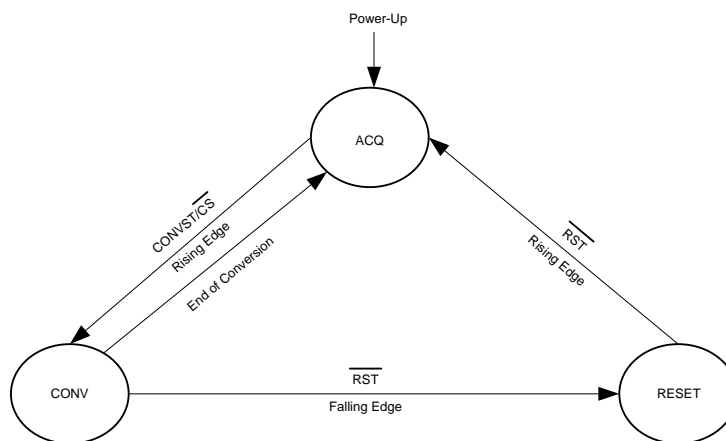


Figure 94. Device Functional States

Device Functional Modes (continued)

8.4.2.1 RESET State

The ADS8681 features an active-low $\overline{\text{RST}}$ pin that is an asynchronous digital input. In order to enter a RESET state, the $\overline{\text{RST}}$ pin must be pulled low and kept low for the $t_{\text{WL_RST}}$ duration (as specified in the [Timing Requirements: Asynchronous Reset](#) table).

The device features two different types of reset functions: an application reset or a power-on reset (POR). The functionality of the $\overline{\text{RST}}$ pin is determined by the state of the RSTn_APP bit in the [RST_PWRCTL_REG register](#).

- In order to configure the $\overline{\text{RST}}$ pin to issue an application reset, the RSTn_APP bit in the [RST_PWRCTL_REG register](#) must be configured to 1b. In this RESET state, all configuration registers (see the [Register Maps](#) section) are reset to their default values, the RVS pins remain low, and the SDO-x pins are tri-stated.
- The default configuration for the $\overline{\text{RST}}$ pin is to issue a power-on reset when pulled to a low level. The RSTn_APP bit is set to 0b in this state. When a POR is issued, all internal circuitry of the device (including the PGA, ADC driver, and voltage reference) are reset. When the device comes out of the POR state, the $t_{\text{D_RST_POR}}$ time duration must be allowed for (see the [Timing Requirements: Asynchronous Reset](#) table) in order for the internal circuitry to accurately settle.

In order to exit any of the RESET states, the $\overline{\text{RST}}$ pin must be pulled high with $\overline{\text{CONVST/CS}}$ and SCLK held low. After a delay of $t_{\text{D_RST_POR}}$ or $t_{\text{D_RST_APP}}$ (see the [Timing Requirements: Asynchronous Reset](#) table), the device enters ACQ state and the RVS pin goes high.

To operate the device in any of the other two states (ACQ or CONV), the $\overline{\text{RST}}$ pin must be held high. With the $\overline{\text{RST}}$ pin held high, transitions on the $\overline{\text{CONVST/CS}}$ pin determine the functional state of the device. A typical conversion cycle is illustrated in [Figure 1](#).

8.4.2.2 ACQ State

In ACQ state, the device acquires the analog input signal. The device enters ACQ state on power-up, after any asynchronous reset, or after the end of every conversion.

The falling edge of the $\overline{\text{RST}}$ falling edge takes the device from an ACQ state to a RESET state. A rising edge of the $\overline{\text{CONVST/CS}}$ signal takes the device from ACQ state to a CONV state.

The device offers a low-power NAP mode to reduce power consumption in the ACQ state; see the [NAP Mode](#) section for more details on NAP mode.

8.4.2.3 CONV State

The device moves from ACQ state to CONV state on the rising edge of the $\overline{\text{CONVST/CS}}$ signal. The conversion process uses an internal clock and the device ignores any further transitions on the $\overline{\text{CONVST/CS}}$ signal until the ongoing conversion is complete (that is, during the time interval of t_{conv}).

At the end of conversion, the device enters ACQ state. The cycle time for the device is given by [Equation 1](#):

$$t_{\text{cycle-min}} = t_{\text{conv}} + t_{\text{acq-min}} \quad (1)$$

NOTE

The conversion time, t_{conv} , can vary within the specified limits of $t_{\text{conv_min}}$ and $t_{\text{conv_max}}$ (as specified in the [Timing Requirements: Conversion Cycle](#) table). After initiating a conversion, the host controller must monitor for a low-to-high transition on the RVS pin or wait for the $t_{\text{conv_max}}$ duration to elapse before initiating a new operation (data transfer or conversion). If RVS is not monitored, substitute t_{conv} in [Equation 1](#) with $t_{\text{conv_max}}$.

8.5 Programming

The device features nine configuration registers (as described in the [Register Maps](#) section) and supports two types of data transfer operations: data write (the host configures the device), and data read (the host reads data from the device).

Programming (continued)

As described in the [DATAOUT_CTL_REG register](#), the maximum length of the output bit stream for any particular data frame can be as high as 30 bits if all data flags are included in the output bit stream. An example output data frame is shown in [Table 5](#). Thus, the maximum length of the unified shift register supported by the device is equal to 32 bits.

Table 5. Output Bit Frame Pattern

OUTPUT DATA FROM ADC OR INTERNAL REGISTER	DEVICE ADDRESS	AVDD ALARM FLAGS	INPUT ALARM FLAGS	ADC INPUT RANGE	PARITY
16 bits	4 bits	2 bits	2 bits	4 bits	2 bits

Note that the minimum length of the output bit stream is 16 bits. The length of the output is equal to 16 bits when all device output flags are disabled and only the ADC conversion data or internal register data (during device read operation) are output from the device.

The ADS8681 allows either one byte or two bytes (equivalent to half a word) to be read or written during any device programming operation. [Table 6](#) lists the input commands supported by the device. The input commands associated with reading or writing two bytes in a single operation are suffixed as *HWORD*.

For any *HWORD* command, the LSB of the 9-bit address is always ignored and considered as 0b. For example, regardless whether address 04h or 05h is entered for any particular *HWORD* command, the device always exercises the command on address 04h.

Table 6. List of Input Commands

OPCODE B[31:0]	COMMAND ACRONYM	COMMAND DESCRIPTION
00000000_000000000_00000000_00000000	NOP	No operation
11000_xx_<9-bit address>_<16-bit data>	CLEAR_HWORD	<ul style="list-style-type: none"> Command used to clear any (or a group of) bits of a register. Any bit marked 1 in the data field results in that particular bit of the specified register being reset to 0, leaving the other bits unchanged. Half-word command (that is, the command functions on 16 bits at a time). LSB of the 9-bit address is always ignored and considered as 0b.
11001_xx_<9-bit address>_00000000_00000000	READ_HWORD	<ul style="list-style-type: none"> Command used to perform a 16-bit read operation. Half-word command (that is, the device outputs 16 bits of register data at a time). LSB of the 9-bit address is always ignored and considered as 0b. Upon receiving this command, the device sends out 16 bits of the register in the next frame.
01001_xx_<9-bit address>_00000000_00000000	READ	<ul style="list-style-type: none"> Same as the READ_HWORD except that only eight bits of the register (byte read) are returned in the next frame.
11010_00_<9-bit address>_<16-bit data>	WRITE	<ul style="list-style-type: none"> Half-word write command (two bytes of input data are written into the specified address). LSB of the 9-bit address is always ignored and considered as 0b.
11010_01_<9-bit address>_<16-bit data>		<ul style="list-style-type: none"> Half-word write command. LSB of the 9-bit address is always ignored and considered as 0b. With this command, only the MS byte of the 16-bit data word is written at the specified register address. The LS byte is ignored.
11010_10_<9-bit address>_<16-bit data>		<ul style="list-style-type: none"> Half-word write command. LSB of the 9-bit address is always ignored and considered as 0b. With this command, only the LS byte of the 16-bit data word is written at the specified register address. The MS byte is ignored.
11011_xx_<9-bit address>_<16-bit data>	SET_HWORD	<ul style="list-style-type: none"> Command used to set any (or a group of) bits of a register. Any bit marked 1 in the data field results in that particular bit of the specified register being set to 1, leaving the other bits unchanged. Half-word command (that is, the command functions on 16 bits at a time). LSB of the 9-bit address is always ignored and considered as 0b.
All other input command combinations	NOP	No operation

8.5.1 Register Write Operation

In the ADS8681, any data write operation to the device is always synchronous to the external clock provided on the SCLK pin.

All input commands (including the CLEAR_HWORD, WRITE, and SET_HWORD commands listed in [Table 6](#)) used to configure the internal registers must be 32 bits long. If any of these commands are provided in a particular data frame F, that command gets executed at the rising edge of the CONVST/ $\overline{\text{CS}}$ signal.

In any data transfer frame, the contents of the internal unified shift register are shifted out on the SDO-x pins. The output data for any frame (F+1) is determined by the command issued in frame F:

- If a WRITE command is issued to configure the DATA_VAL[2:0] bits as 1xxb, then the device outputs a fixed data pattern as described in the [DATAOUT_CTL_REG register](#).
- For any valid register read operations performed in frame F, see the [Register Read Operation](#) section.
- For all other combinations, the output data frame contains the latest conversion result.

8.5.2 Register Read Operation

The data read from the device can be synchronized to the external clock on the SCLK pin or to an internal clock of the device by programming the configuration registers (see the [Data Transfer Protocols](#) section for details).

In order to read the internal registers, the READ or READ_HWORD command must be provided in any frame F. This command frame must be 32 bits long. The device outputs internal register data on the SDO-x pins in the next frame, (F+1). The length of frame (F+1) can be a minimum of 16 bits.

- If a valid READ command is issued in frame F, the output data in frame (F+1) contains 8-bit register data, followed by all 0's.
- If a valid READ_HWORD command is issued in frame F, the output data in frame (F+1) contains the 16-bit register data.

If more than 16 SCLK pulses are provided in frame (F+1), then the device outputs 0's on the subsequent SCLK edges.

8.5.3 Data Transfer Frame

A data transfer frame between the device and the host controller begins at the falling edge of the CONVST/ $\overline{\text{CS}}$ pin and ends when the device starts conversion at the subsequent rising edge. The host controller can initiate a data transfer frame by bringing the CONVST/ $\overline{\text{CS}}$ signal low (as shown in Figure 95) after the end of the CONV phase, as described in the *CONV State* section.

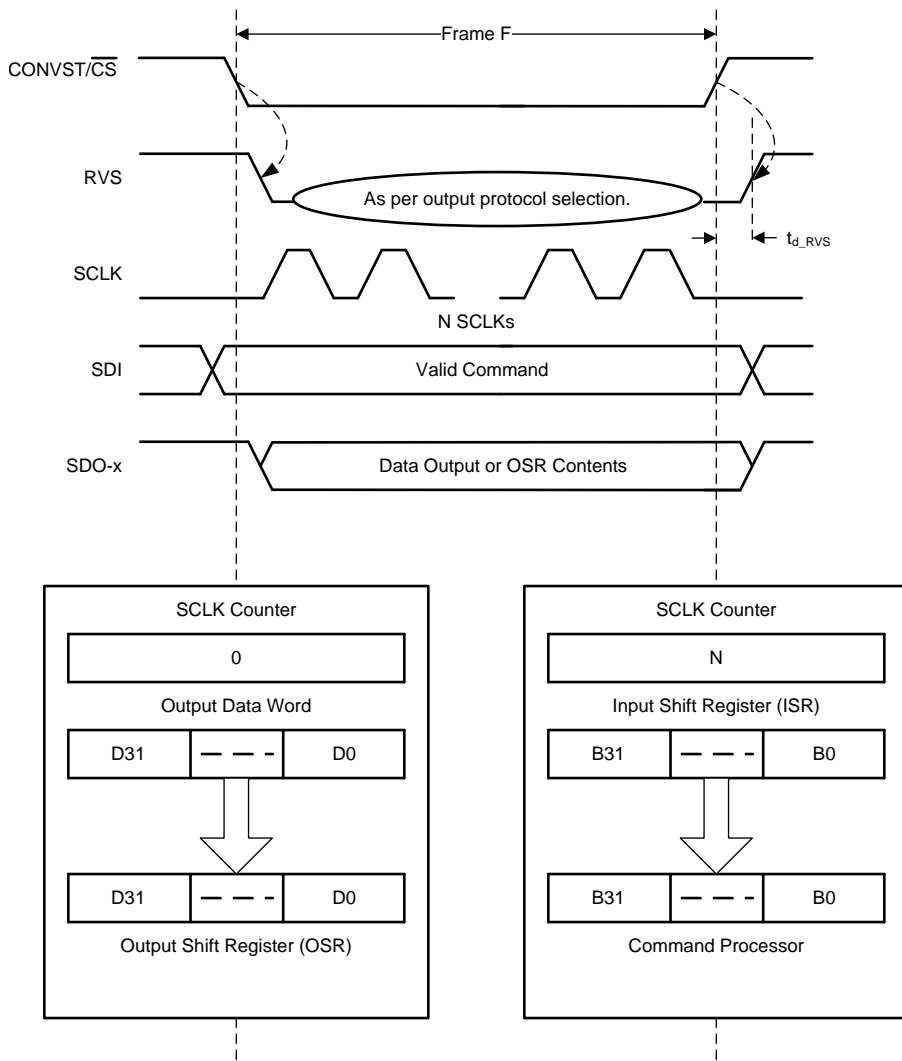


Figure 95. Data Transfer Frame

For a typical data transfer frame F:

1. The host controller pulls CONVST/ $\overline{\text{CS}}$ low to initiate a data transfer frame. On the falling edge of the CONVST/ $\overline{\text{CS}}$ signal:
 - RVS goes low, indicating the beginning of the data transfer frame.
 - The internal SCLK counter is reset to 0.
 - The device takes control of the data bus. As shown in Figure 95, the contents of the output data word are loaded into the 32-bit unified shift register.
 - The internal configuration register is reset to 0000h, corresponding to a NOP command.

2. During the frame, the host controller provides clocks on the SCLK pin:
 - On each SCLK capture edge, the SCLK counter is incremented and the data bit received on the SDI pin is shifted into the LSB of the unified shift register.
 - On each launch edge of the output clock (SCLK in this case), the MSB of the unified shift register data is shifted out on the selected SDO-x pins.
 - The status of the RVS pin depends on the output protocol selection (see the [Protocols for Reading From the Device](#) section).
3. The host controller pulls the CONVST/ $\overline{\text{CS}}$ pin high to end the data transfer frame. On the rising edge of CONVST/ $\overline{\text{CS}}$:
 - The SDO-x pins go to tri-state.
 - As illustrated in [Figure 95](#), the contents of the unified shift register (data input through SDI) are transferred to the command processor for decoding and further action.
 - RVS output goes low, indicating the beginning of conversion.

After pulling CONVST/ $\overline{\text{CS}}$ high, the host controller must monitor for a low-to-high transition on the RVS pin or wait for the $t_{\text{conv_max}}$ time (see the [Timing Requirements: Conversion Cycle](#) table) to elapse before initiating a new data transfer frame.

At the end of the data transfer frame F:

- If the SCLK counter = 32, then the device treats the frame F as an *optimal* data transfer frame for any read or write operation. At the end of an optimal data transfer frame, the command processor treats the 32-bit contents of the unified shift register as a valid command word.
- If the SCLK counter is < 32, then the device treats the frame F as a *short* data transfer frame.
 - For any write operation to the device, the data frame must be 32 bits long. Thus, the device ignores a short frame received over the SDI pin (similar to a NOP command).
 - For reading data from the device, the output data bits transferred during a short frame are still valid data. The host controller can use the short data transfer frame to read only the required number of MSB bits from the 32-bit unified shift register.
- If the SCLK counter is > 32, then the device treats the frame F as a *long* data transfer frame. At the end of a long data transfer frame, the command processor treats the 32-bit contents of the unified shift register as a valid command word. There is no restriction on the maximum number of clocks that can be provided within any data transfer frame F. However, when the host controller provides a long data transfer frame, the last 32 bits shifted into the device prior to the CONVST/ $\overline{\text{CS}}$ rising edge must constitute the desired command.

8.5.4 Data Transfer Protocols

The device features a multiSPI interface that allows the host controller to operate at slower SCLK speeds and still achieve the required cycle time with a faster response time.

- For any data write operation, the host controller can use any of the four legacy, SPI-compatible protocols to configure the device, as described in the [Protocols for Configuring the Device](#) section.
- For any data read operation from the device, the multiSPI interface module offers the following options:
 - Legacy, SPI-compatible protocol with a single SDO-x (see the [Legacy, SPI-Compatible \(SYS-xy-S\) Protocols with a Single SDO-x](#) section)
 - Legacy, SPI-compatible protocol with dual SDO-x (see the [Legacy, SPI-Compatible \(SYS-xy-S\) Protocols with Dual SDO-x](#) section)
 - ADC master clock or source-synchronous (SRC) protocol for data transfer (see the [Source-Synchronous \(SRC\) Protocols](#) section)

8.5.4.1 Protocols for Configuring the Device

As described in Table 7, the host controller can use any of the four legacy, SPI-compatible protocols (SPI-00-S, SPI-01-S, SPI-10-S, or SPI-11-S) to write data into the device.

Table 7. SPI Protocols for Configuring the Device

PROTOCOL	SCLK POLARITY (At CS Falling Edge)	SCLK PHASE (Capture Edge)	SDI_CTL_REG	SDO_CTL_REG	DIAGRAM
SPI-00-S	Low	Rising	00h	00h	Figure 96
SPI-01-S	Low	Falling	01h	00h	Figure 96
SPI-10-S	High	Falling	02h	00h	Figure 97
SPI-11-S	High	Rising	03h	00h	Figure 97

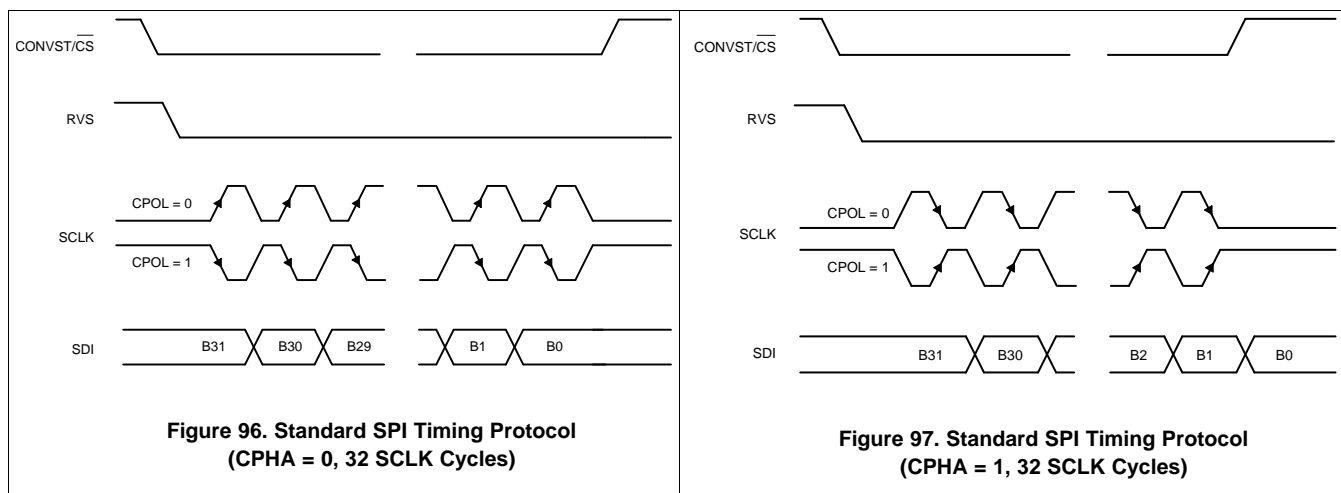
On power-up or after coming out of any asynchronous reset, the device supports the SPI-00-S protocol for data read and data write operations.

To select a different SPI-compatible protocol, program the SDI_MODE[1:0] bits in the SDI_CNTL_REG register. This first write operation must adhere to the SPI-00-S protocol. Any subsequent data transfer frames must adhere to the newly-selected protocol. Note that the SPI protocol selected by the configuration of the SDI_MODE[1:0] is applicable to both read and write operations.

Figure 96 and Figure 97 detail the four protocols using an optimal data frame; see the *Timing Requirements: SPI-Compatible Serial Interface* table for associated timing parameters.

NOTE

As explained in the *Data Transfer Frame* section, a valid write operation to the device requires a minimum of 32 SCLKs to be provided within a data transfer frame.



8.5.4.2 Protocols for Reading From the Device

The protocols for the data read operation can be broadly classified into three categories:

1. Legacy, SPI-compatible protocols with a single SDO-x
2. Legacy, SPI-compatible protocols with dual SDO-x
3. ADC master clock or source-synchronous (SRC) protocol for data transfer

8.5.4.2.1 Legacy, SPI-Compatible (SYS-xy-S) Protocols with a Single SDO-x

As shown in Table 8, the host controller can use any of the four legacy, SPI-compatible protocols (SPI-00-S, SPI-01-S, SPI-10-S, or SPI-11-S) to read data from the device.

Table 8. SPI Protocols for Reading From the Device

PROTOCOL	SCLK POLARITY (At CS Falling Edge)	SCLK PHASE (Capture Edge)	MSB BIT LAUNCH EDGE	SDI_CTL_REG	SDO_CTL_REG	DIAGRAM
SPI-00-S	Low	Rising	\overline{CS} falling	00h	00h	Figure 98
SPI-01-S	Low	Falling	1st SCLK rising	01h	00h	Figure 98
SPI-10-S	High	Falling	\overline{CS} falling	02h	00h	Figure 99
SPI-11-S	High	Rising	1st SCLK falling	03h	00h	Figure 99

On power-up or after coming out of any asynchronous reset, the device supports the SPI-00-S protocol for data read and data write operations. To select a different SPI-compatible protocol for both the data transfer operations:

1. Program the SDI_MODE[1:0] bits in the SDI_CTL_REG register. This first write operation must adhere to the SPI-00-S protocol. Any subsequent data transfer frames must adhere to the newly-selected protocol.
2. Set the SDO_MODE[1:0] bits = 00b in the SDO_CTL_REG register.

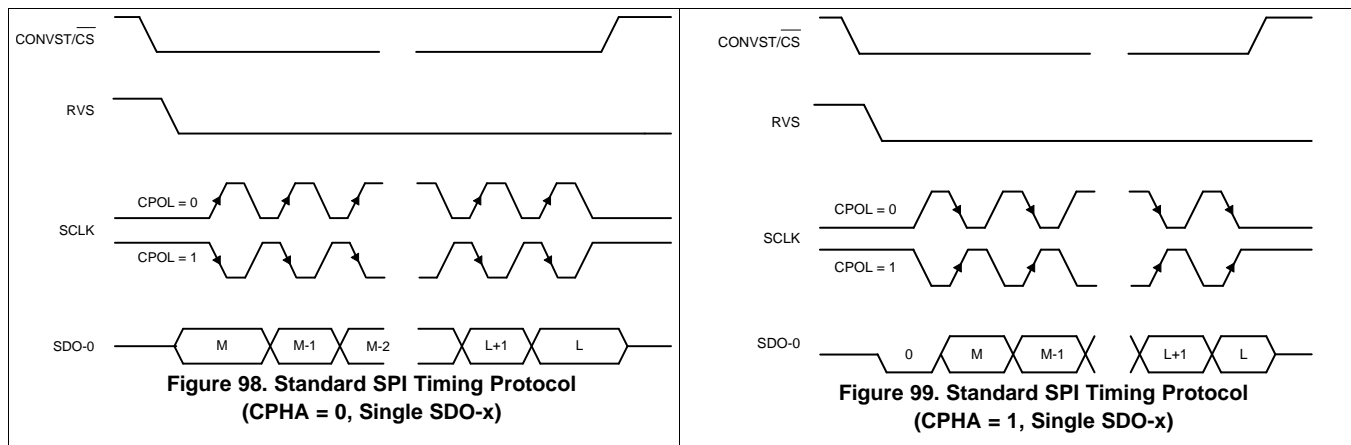
NOTE

The SPI transfer protocol selected by configuring the SDI_MODE[1:0] bits in the SDI_CTL_REG register determines the data transfer protocol for both write and read operations. Either data can be read from the device using the selected SPI protocol by configuring the SDO_MODE[1:0] bits = 00b in the SDO_CTL_REG register, or one of the SRC protocols can be selected for data read, as explained in the Source-Synchronous (SRC) Protocols section.

When using any of the SPI-compatible protocols, the RVS output remains low throughout the data transfer frame; see the Timing Requirements: SPI-Compatible Serial Interface table for associated timing parameters.

Figure 98 and Figure 99 explain the details of the four protocols using a 16-SCLK frame. As explained in the Data Transfer Frame section, the host controller can use a short data transfer frame to read only the required number of MSB bits from the 16-bit output data word.

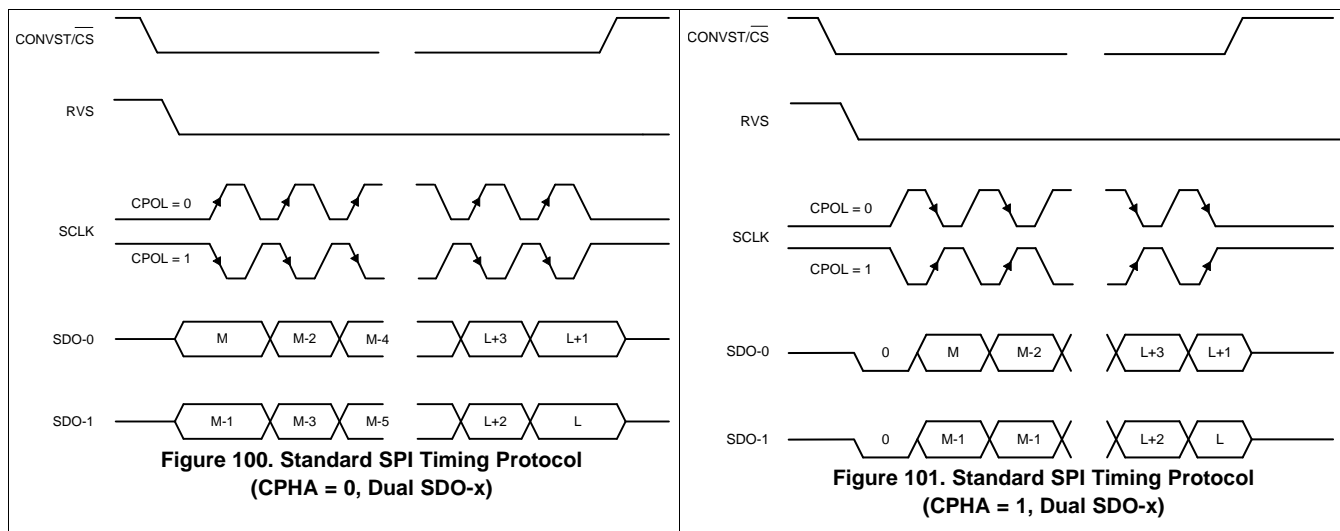
If the host controller uses a long data transfer frame with SDO_CNTL_REG[7:0] = 00h, then the device exhibits daisy-chain operation (see the Multiple Devices: Daisy-Chain Topology section).



8.5.4.2.2 Legacy, SPI-Compatible (SYS-xy-S) Protocols with Dual SDO-x

The device provides an option to increase the SDO-x bus width from one bit (default, single SDO-x) to two bits (dual SDO-x) when operating with any of the data transfer protocols. In order to operate the device in dual SDO mode, the SDO1_CONFIG[1:0] bits in the [SDO_CTL_REG register](#) must be set to 11b. In this mode, the ALARM/SDO-1/GPO pin functions as SDO-1.

In dual SDO mode, two bits of data are launched on the two SDO-x pins (SDO-0 and SDO-1) on every SCLK launch edge, as shown in [Figure 100](#) and [Figure 101](#).



NOTE

For any particular SPI protocol, the device follows the same timing specifications for single and dual SDO modes. The only difference is that the device requires half as many SCLK cycles to output the same number of bits when in single SDO mode, thus reducing the minimum required SCLK frequency for a certain sampling rate of the ADC.

8.5.4.2.3 Source-Synchronous (SRC) Protocols

The multiSPI interface supports an ADC master clock or source-synchronous mode of data transfer between the device and host controller. In this mode, the device provides an output clock that is synchronous with the output data. Furthermore, the host controller can also select the output clock source and data bus width options in this mode of operation. In all SRC modes of operation, the RVS pin provides the output clock, synchronous to the device data output.

The SRC protocol allows the clock source (internal or external) and the width of the output bus to be configured, similar to the SPI protocols.

8.5.4.2.3.1 Output Clock Source Options

The device allows the output clock on the RVS pin to be synchronous to either the external clock provided on the SCLK pin or to the internal clock of the device. This selection is done by configuring the SSYNC_CLK bit, as explained in the [SDO_CTL_REG register](#). The timing diagram and specifications for operating the device with an SRC protocol in external CLK mode are provided in [Figure 7](#) and the [Timing Requirements: Source-Synchronous Serial Interface \(External Clock\)](#) table. The timing diagram and specifications for operating the device with an SRC protocol in internal CLK mode are provided in [Figure 8](#) and the [Timing Requirements: Source-Synchronous Serial Interface \(Internal Clock\)](#) table.

8.5.4.2.3.2 Output Bus Width Options

The device provides an option to increase the SDO-x bus width from one bit (default, single SDO-x) to two bits (dual SDO-x) when operating with any of the SRC protocols. In order to operate the device in dual SDO mode, the SDO1_CONFIG[1:0] bits in the [SDO_CTL_REG](#) register must be set to 11b. In this mode, the ALARM/SDO-1/GPO pin functions as SDO-1.

NOTE

For any particular SRC protocol, the device follows the same timing specifications for single and dual SDO modes. The only difference is that the device requires half as many clock cycles to output the same number of bits when in single SDO mode, thus reducing the minimum required clock frequency for a certain sampling rate of the ADC.

8.6 Register Maps

8.6.1 Device Configuration and Register Maps

The device features nine configuration registers, mapped as described in [Table 9](#). Each configuration registers is comprised of four registers, each containing a data byte.

Table 9. Configuration Registers Mapping

ADDRESS	REGISTER NAME	REGISTER FUNCTION
00h	DEVICE_ID_REG	Device ID register
04h	RST_PWRCTL_REG	Reset and power control register
08h	SDI_CTL_REG	SDI data input control register
0Ch	SDO_CTL_REG	SDO-x data input control register
10h	DATAOUT_CTL_REG	Output data control register
14h	RANGE_SEL_REG	Input range selection control register
20h	ALARM_REG	ALARM output register
24h	ALARM_H_TH_REG	ALARM high threshold and hysteresis register
28h	ALARM_L_TH_REG	ALARM low threshold register

8.6.1.1 DEVICE_ID_REG Register (address = 00h)

This register contains the unique identification numbers associated to a device that is used in a daisy-chain configuration involving multiple devices.

Figure 102. DEVICE_ID_REG Register

31	30	29	28	27	26	25	24	23	22	21	20	19	18	17	16
Reserved											DEVICE_ADDR				
R-0h											R/W-0h				
15	14	13	12	11	10	9	8	7	6	5	4	3	2	1	0
Reserved															
R-0h															

LEGEND: R/W = Read/Write; R = Read only; -n = value after reset; -0, -1 = Condition after application reset;

-<0>, -<1> = Condition after power-on reset

Address for bits 7-0 = 00h

Address for bits 15-8 = 01h

Address for bits 23-16 = 02h

Address for bits 31-24 = 03h

Table 10. DEVICE_ID_REG Register Field Descriptions

Bit	Field	Type	Reset	Description
31-20	Reserved	R	0h	Reserved. Reads return 0h.
19-16	DEVICE_ADDR ⁽¹⁾	R	0h	These bits can be used to identify up to 16 different devices in a system.
15-0	Reserved	R	0h	Reserved. Reads return 0h.

(1) These bits are useful in daisy-chain mode.

8.6.1.2 RST_PWRCTL_REG Register (address = 04h)

This register controls the reset and power-down features offered by the converter.

Any write operation to the RST_PWRCTL_REG register must be preceded by a write operation with the register address set to 05h and the register data set to 69h.

Figure 103. RST_PWRCTL_REG Register

31	30	29	28	27	26	25	24	23	22	21	20	19	18	17	16
Reserved															
R-0h															
15	14	13	12	11	10	9	8	7	6	5	4	3	2	1	0
WKEY								Reserved	VDD_AL_DIS	IN_AL_DIS	Reserved	RSTn_APP	NAP_EN	PWRDN	
R/W-0h								R-0h	R/W-0h	R/W-0h	R-0h	R/W-<0>h	R/W-<0>h	R/W-0h	

LEGEND: R/W = Read/Write; R = Read only; -n = value after reset; -0, -1 = Condition after application reset;

-<0>, -<1> = Condition after power-on reset

Address for bits 7-0 = 04h

Address for bits 15-8 = 05h

Address for bits 23-16 = 06h

Address for bits 31-24 = 07h

Table 11. RST_PWRCTL_REG Register Field Descriptions

Bit	Field	Type	Reset	Description
31-16	Reserved	R	0h	Reserved. Reads return 0h.
15-8	WKEY	R/W	0h	This value functions as a protection key to enable writes to bits 5-0. Bits are written only if WKEY is set to 69h first.
7-6	Reserved	R	0h	Reserved. Reads return 0h.
5	VDD_AL_DIS	R/W	0h	0b = VDD alarm is enabled 1b = VDD alarm is disabled
4	IN_AL_DIS	R/W	0h	0b = Input alarm is enabled 1b = Input alarm is disabled
3	Reserved	R	0h	Reserved. Reads return 0h.
2	RSTn_APP ⁽¹⁾	R/W	0h	0b = $\overline{\text{RST}}$ pin functions as a POR class reset (causes full device initialization) 1b = $\overline{\text{RST}}$ pin functions as an application reset (only user-programmed modes are cleared)
1	NAP_EN ⁽²⁾	R/W	0h	0b = Disables the NAP mode of the converter 1b = Enables the converter to enter NAP mode if CONVST/ $\overline{\text{CS}}$ is held high after the current conversion completes
0	PWRDN ⁽²⁾	R/W	0h	0b = Puts the converter into active mode 1b = Puts the converter into power-down mode

(1) Setting this bit forces the $\overline{\text{RST}}$ pin to function as an application reset until the next power cycle.

(2) See the [Electrical Characteristics](#) table for details on the latency encountered when entering and exiting the associated low-power mode.

8.6.1.3 SDI_CTL_REG Register (address = 08h)

This register configures the protocol used for writing data to the device.

Figure 104. SDI_CTL_REG Register

31	30	29	28	27	26	25	24	23	22	21	20	19	18	17	16
Reserved															
R-0h															
15	14	13	12	11	10	9	8	7	6	5	4	3	2	1	0
Reserved														SDI_MODE	
R-0h														R/W-<0>h	

LEGEND: R/W = Read/Write; R = Read only; -n = value after reset; -0, -1 = Condition after application reset;

-<0>, -<1> = Condition after power-on reset

Address for bits 7-0 = 08h

Address for bits 15-8 = 09h

Address for bits 23-16 = 0Ah

Address for bits 31-24 = 0Bh

Table 12. SDI_CTL_REG Register Field Descriptions

Bit	Field	Type	Reset	Description
31-2	Reserved	R	0h	Reserved. Reads return 0h.
1-0	SDI_MODE[1:0]	R/W	0h	These bits select the protocol for reading from or writing to the device. 00b = Standard SPI with CPOL = 0 and CPHASE = 0 01b = Standard SPI with CPOL = 0 and CPHASE = 1 10b = Standard SPI with CPOL = 1 and CPHASE = 0 11b = Standard SPI with CPOL = 1 and CPHASE = 1

8.6.1.4 SDO_CTL_REG Register (address = 0Ch)

This register controls the data protocol used to transmit data out from the SDO-x pins of the device.

Figure 105. SDO_CTL_REG Register

31	30	29	28	27	26	25	24	23	22	21	20	19	18	17	16
Reserved															
R-0h															
15	14	13	12	11	10	9	8	7	6	5	4	3	2	1	0
Reserved		GPO_VAL		Reserved		SDO1_CONFIG		Reserved		SSYNC_CLK		Reserved			SDO_MODE
R-0h		R/W-0h		R-0h		R/W-0h		R-0h		R/W-<0>h		R-0h			R/W-<0>h

LEGEND: R/W = Read/Write; R = Read only; -n = value after reset; -0, -1 = Condition after application reset;
 -<0>, -<1> = Condition after power-on reset

Address for bits 7-0 = 0Ch Address for bits 15-8 = 0Dh Address for bits 23-16 = 0Eh Address for bits 31-24 = 0Fh

Table 13. SDO_CTL_REG Register Field Descriptions

Bit	Field	Type	Reset	Description
31-13	Reserved	R	0h	Reserved. Reads return 0h.
12	GPO_VAL	R/W	0h	1-bit value for the output on the GPO pin.
11-10	Reserved	R	0h	Reserved. Reads return 0h.
9-8	SDO1_CONFIG	R/W	0h	Two bits are used to configure ALARM/SDO-1/GPO: 00b = SDO-1 is always tri-stated; 1-bit SDO mode 01b = SDO-1 functions as ALARM; 1-bit SDO mode 10b = SDO-1 functions as GPO; 1-bit SDO mode 11b = SDO-1 combined with SDO-0 offers a 2-bit SDO mode
7	Reserved	R	0h	Reserved. Reads return 0h.
6	SSYNC_CLK ⁽¹⁾	R/W	0h	This bit controls the source of the clock selected for source-synchronous transmission. 0b = External SCLK (no division) 1b = Internal clock (no division)
5-2	Reserved	R	0h	Reserved. Reads return 0h.
1-0	SDO_MODE	R/W	0h	These bits control the data output modes of the device. 0xb = SDO mode follows the same SPI protocol as that used for SDI; see the SDI_CTL_REG register 10b = Invalid configuration 11b = SDO mode follows the ADC master clock or source-synchronous protocol

(1) This bit takes effect **only** in the ADC master clock or source-synchronous mode of operation.

8.6.1.5 DATAOUT_CTL_REG Register (address = 10h)

This register controls the data output by the device.

Figure 106. DATAOUT_CTL_REG Register

31	30	29	28	27	26	25	24	23	22	21	20	19	18	17	16
Reserved															
R-0h															
15	14	13	12	11	10	9	8	7	6	5	4	3	2	1	0
Reserved	DEVICE_ADDR_INCL	VDD_ACTIVE_ALARM_INCL	IN_ACTIVE_ALARM_INCL	Reserved	RANGE_INCL	Reserved	Reserved	Reserved	Reserved	Reserved	PAR_EN	DATA_VAL			
R-0h	R/W-0h	R/W-0h	R/W-0h	R/W-0h	R-0h	R/W-0h	R-0h	R-0h	R-0h	R-0h	R/W-<0>h	R/W-0h			

LEGEND: R/W = Read/Write; R = Read only; -n = value after reset; -0, -1 = Condition after application reset;
-<0>, -<1> = Condition after power-on reset

Address for bits 7-0 = 10h

Address for bits 15-8 = 11h

Address for bits 23-16 = 12h

Address for bits 31-24 = 13h

Table 14. DATAOUT_CTL_REG Register Field Descriptions

Bit	Field	Type	Reset	Description
31-15	Reserved	R	0h	Reserved. Reads return 0h.
14	DEVICE_ADDR_INCL	R/W	0h	Control to include the 4-bit DEVICE_ADDR register value in the SDO-x output bit stream. 0b = Do not include the register value 1b = Include the register value
13-12	VDD_ACTIVE_ALARM_INCL	R/W	0h	Control to include the active VDD ALARM flags in the SDO-x output bit stream. 00b = Do not include 01b = Include ACTIVE_VDD_H_FLAG 10b = Include ACTIVE_VDD_L_FLAG 11b = Include both flags
11-10	IN_ACTIVE_ALARM_INCL	R/W	0h	Control to include the active input ALARM flags in the SDO-x output bit stream. 00b = Do not include 01b = Include ACTIVE_IN_H_FLAG 10b = Include ACTIVE_IN_L_FLAG 11b = Include both flags
9	Reserved	R	0h	Reserved. Reads return 0h.
8	RANGE_INCL	R/W	0h	Control to include the 4-bit input range setting in the SDO-x output bit stream. 0b = Do not include the range configuration register value 1b = Include the range configuration register value
7-4	Reserved	R	0h	Reserved. Reads return 0h.
3	PAR_EN ⁽¹⁾	R/W	0h	0b = Output data does not contain parity information 1b = Two parity bits (ADC output and output data frame) are appended to the LSBs of the output data The ADC output parity bit reflects an even parity for the ADC output bits only. The output data frame parity bit reflects an even parity signature for the entire output data frame, including the ADC output bits and any internal flags or register settings.
2-0	DATA_VAL	R/W	0h	These bits control the data value output by the converter. 0xxb = Value output is the conversion data 100b = Value output is all 0's 101b = Value output is all 1's 110b = Value output is alternating 0's and 1's 111b = Value output is alternating 00's and 11's

(1) Setting this bit increases the length of the output data by two bits.

8.6.1.6 RANGE_SEL_REG Register (address = 14h)

This register controls the configuration of the internal reference and input voltage ranges for the converter.

Figure 107. RANGE_SEL_REG Register

31	30	29	28	27	26	25	24	23	22	21	20	19	18	17	16
Reserved															
R-0h															
15	14	13	12	11	10	9	8	7	6	5	4	3	2	1	0
Reserved								INTREF_DIS	Reserved			RANGE_SEL			
R-0h								R/W-0h			R-0h			R/W-<0>h	

LEGEND: R/W = Read/Write; R = Read only; -n = value after reset; -0, -1 = Condition after application reset;
 -<0>, -<1> = Condition after power-on reset

Address for bits 7-0 = 14h

Address for bits 15-8 = 15h

Address for bits 23-16 = 16h

Address for bits 31-24 = 17h

Table 15. RANGE_SEL_REG Register Field Descriptions

Bit	Field	Type	Reset	Description
31-7	Reserved	R	0h	Reserved. Reads return 0h.
6	INTREF_DIS	R/W	0h	Control to disable the ADC internal reference. 0b = Internal reference is enabled 1b = Internal reference is disabled
5-4	Reserved	R	0h	Reserved. Reads return 0h.
3-0	RANGE_SEL	R/W	0h	These bits comprise the 4-bit register that selects the nine input ranges of the ADC. 0000b = $\pm 3 \times V_{REF}$ 0001b = $\pm 2.5 \times V_{REF}$ 0010b = $\pm 1.5 \times V_{REF}$ 0011b = $\pm 1.25 \times V_{REF}$ 0100b = $\pm 0.625 \times V_{REF}$ 1000b = $3 \times V_{REF}$ 1001b = $2.5 \times V_{REF}$ 1010b = $1.5 \times V_{REF}$ 1011b = $1.25 \times V_{REF}$

8.6.1.7 ALARM_REG Register (address = 20h)

This register contains the output alarm flags (active and tripped) for the input and AVDD alarm.

Figure 108. ALARM_REG Register

31	30	29	28	27	26	25	24	23	22	21	20	19	18	17	16
Reserved															
R-0h															
15	14	13	12	11	10	9	8	7	6	5	4	3	2	1	0
ACTIVE_VDD_L_FLAG	ACTIVE_VDD_H_FLAG	Reserved	ACTIVE_IN_L_FLAG	ACTIVE_IN_H_FLAG	Reserved	TRP_VDD_L_FLAG	TRP_VDD_H_FLAG	TRP_IN_L_FLAG	TRP_IN_H_FLAG	Reserved	OVW_ALARM				
R-0h	R-0h	R-0h	R-0h	R-0h	R-0h	R-0h	R-0h	R-0h	R-0h	R-0h	R-0h	R-0h	R-0h	R-0h	R-0h

LEGEND: R = Read only; -n = value after reset; -0, -1 = Condition after application reset; -<0>, -<1> = Condition after power-on reset
Address for bits 7-0 = 20h Address for bits 15-8 = 21h Address for bits 23-16 = 22h Address for bits 31-24 = 23h

Table 16. ALARM_REG Register Field Descriptions

Bit	Field	Type	Reset	Description
31-16	Reserved	R	0h	Reserved. Reads return 0h.
15	ACTIVE_VDD_L_FLAG	R	0h	Active ALARM output flag for low AVDD voltage. 0b = No ALARM condition 1b = ALARM condition exists
14	ACTIVE_VDD_H_FLAG	R	0h	Active ALARM output flag for high AVDD voltage. 0b = No ALARM condition 1b = ALARM condition exists
13-12	Reserved	R	0h	Reserved. Reads return 0h.
11	ACTIVE_IN_L_FLAG	R	0h	Active ALARM output flag for high input voltage. 0b = No ALARM condition 1b = ALARM condition exists
10	ACTIVE_IN_H_FLAG	R	0h	Active ALARM output flag for low input voltage. 0b = No ALARM condition 1b = ALARM condition exists
9-8	Reserved	R	0h	Reserved. Reads return 0h.
7	TRP_VDD_L_FLAG	R	0h	Tripped ALARM output flag for low AVDD voltage. 0b = No ALARM condition 1b = ALARM condition exists
6	TRP_VDD_H_FLAG	R	0h	Tripped ALARM output flag for high AVDD voltage. 0b = No ALARM condition 1b = ALARM condition exists
5	TRP_IN_L_FLAG	R	0h	Tripped ALARM output flag for high input voltage. 0b = No ALARM condition 1b = ALARM condition exists
4	TRP_IN_H_FLAG	R	0h	Tripped ALARM output flag for low input voltage. 0b = No ALARM condition 1b = ALARM condition exists
3-1	Reserved	R	0h	Reserved. Reads return 0h.
0	OVW_ALARM	R	0h	Logical OR outputs all tripped ALARM flags. 0b = No ALARM condition 1b = ALARM condition exists

8.6.1.8 ALARM_H_TH_REG Register (address = 24h)

This register controls the hysteresis and high threshold for the input alarm.

Figure 109. ALARM_H_TH_REG Register

31	30	29	28	27	26	25	24	23	22	21	20	19	18	17	16
INP_ALARM_HYST								Reserved							
R/W-0h								R-0h							
15	14	13	12	11	10	9	8	7	6	5	4	3	2	1	0
INP_ALARM_HIGH_TH															
R/W-1h															

LEGEND: R/W = Read/Write; R = Read only; -n = value after reset; -0, -1 = Condition after application reset;
 -<0>, -<1> = Condition after power-on reset

Address for bits 7-0 = 24h Address for bits 15-8 = 25h Address for bits 23-16 = 26h Address for bits 31-24 = 27h

Table 17. ALARM_H_TH_REG Register Field Descriptions

Bit	Field	Type	Reset	Description
31-24	INP_ALARM_HYST	R/W	0h	8-bit hysteresis value for the input ALARM.
23-16	Reserved	R	0h	Reserved. Reads return 0h.
15-0	INP_ALARM_HIGH_TH	R/W	FFFFh	16-bit high threshold value for the input ALARM.

8.6.1.9 ALARM_L_TH_REG Register (address = 28h)

This register controls the low threshold for the input alarm.

Figure 110. ALARM_L_TH_REG Register

31	30	29	28	27	26	25	24	23	22	21	20	19	18	17	16
Reserved															
R-0h															
15	14	13	12	11	10	9	8	7	6	5	4	3	2	1	0
INP_ALARM_LOW_TH															
R/W-0h															

LEGEND: R/W = Read/Write; R = Read only; -n = value after reset; -0, -1 = Condition after application reset;
 -<0>, -<1> = Condition after power-on reset

Address for bits 7-0 = 28h Address for bits 15-8 = 29h Address for bits 23-16 = 2Ah Address for bits 31-24 = 2Bh

Table 18. ALARM_L_TH_REG Register Field Descriptions

Bit	Field	Type	Reset	Description
32:16	Reserved	R	0h	Reserved. Reads return 0.
15-0	INP_ALARM_LOW_TH	R/W	0h	16-bit low threshold value for the input ALARM.

9 Application and Implementation

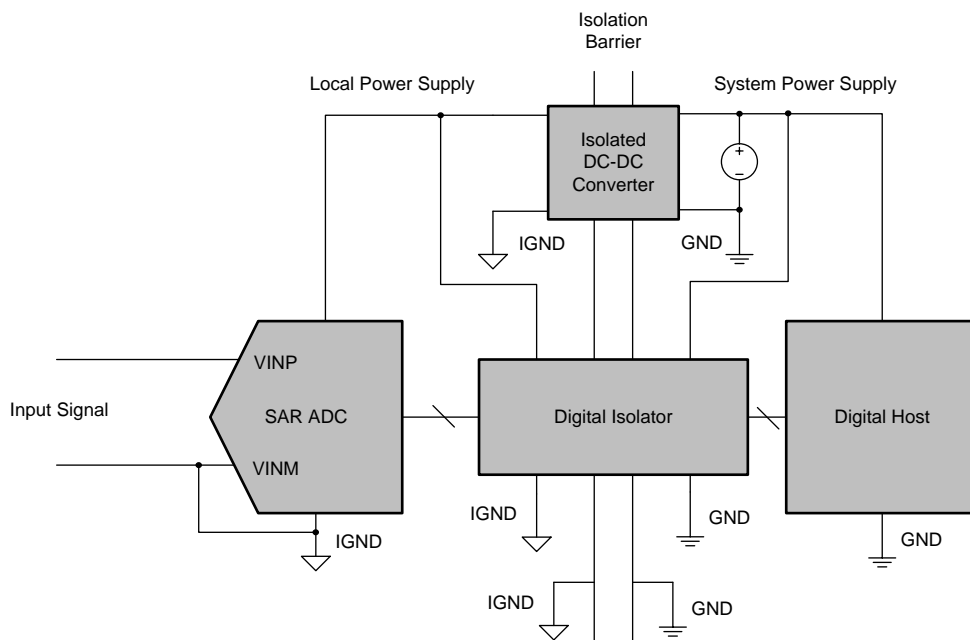
NOTE

Information in the following applications sections is not part of the TI component specification, and TI does not warrant its accuracy or completeness. TI's customers are responsible for determining suitability of components for their purposes. Customers should validate and test their design implementation to confirm system functionality.

9.1 Application Information

The ADS8681 is a fully-integrated data acquisition (DAQ) system based on a 16-bit successive approximation (SAR) analog-to-digital converter (ADC). The device includes an integrated analog front-end (AFE) circuit to drive the inputs of the ADC and an integrated precision reference with a buffer. As such, this device does not require any additional external circuits for driving the reference or analog input pins of the ADC.

9.2 Typical Application



NOTE: The potential difference between IGND and GND can be as high as the barrier breakdown voltage (often thousands of volts).

Figure 111. 16-Bit, 1-MSPS, Isolated DAQ System for High Common-Mode Rejection

9.2.1 Design Requirements

Design a 16-bit, 1-MSPS DAQ system for processing input signals up to ± 12 V superimposed on large dc or ac common-mode offsets relative to the ground potential of the system main power supply. The specific performance requirements are as follows:

- Input signal: ± 12 -V amplitude signal of a 1-kHz frequency superimposed on a ± 75 -V common-mode with frequency between dc and 15 kHz
- CMRR > 100 dB over stipulated common-mode frequency range
- SNR > 90 dB
- THD < -104 dB

Typical Application (continued)

9.2.2 Detailed Design Procedure

The design uses galvanic isolation between the DAQ system inputs and main power supply to achieve extremely high CMRR as indicated by [Figure 111](#). The system not only tolerates large common-mode voltages beyond its absolute maximum ratings but also delivers excellent performance largely independent of common-mode amplitude and frequency (within the specified operating limits). The relevant performance characteristics are illustrated in [Figure 113](#), [Figure 114](#), and [Figure 115](#).

The system performance requirements by itself can be easily satisfied by using the ADS8681. This device simplifies system design because the ADS8681 eliminates the need for designing a discrete high-performance signal chain needed with most other SAR ADCs. In addition, the use of galvanic isolation has the following system design implications:

- A local floating supply is needed to power the ADS8681 because the device cannot load the system main power supply
- A digital isolator is required to facilitate data transfer between the isolated ADS8681 serial interface and the digital host controller

The floating power supply can be realized as an isolated transformer-based push-pull converter followed by a rectifier and low-dropout (LDO) regulator to largely eliminate the ADC power supply ripple by taking advantage of the high PSRR provided by most LDOs. A schematic of this design is shown in [Figure 112](#).

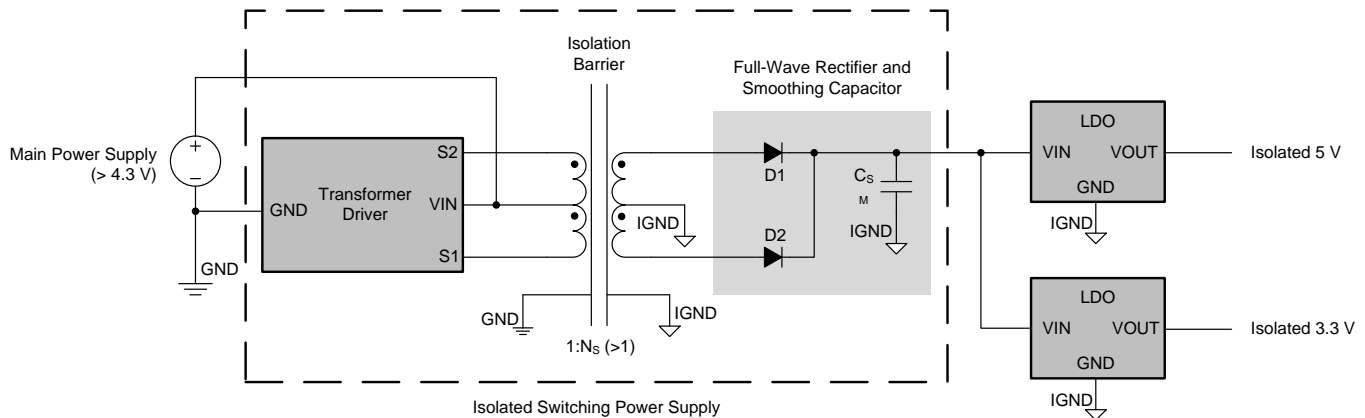


Figure 112. Isolated Power-Supply Design

Recommended components for the circuit shown in [Figure 112](#) are given below:

- The [SN6501](#) transformer driver is selected for its low input voltage requirement, small form-factor, and the flexibility offered for easily adjusting the system isolation voltage rating by substituting the transformer
- A miniature printed circuit board (PCB)-mount, center-tapped transformer with a gain > 1 to maintain line regulation at the LDO outputs
- Schottky rectifiers for minimal forward voltage drop
- Smoothing capacitor for sufficiently low ripple at the LDO input
- [TPS7A4901](#) LDOs for an ultra-low noise contribution relative to the ADS8681 and high PSRR over a wide frequency range to attenuate output ripple to levels below the LDO output noise level

With regard to the digital isolator, the [ISO7640FM](#) is recommended for the following reasons:

- Supports $> a$ 50-MHz SCLK and the required logic levels for operating the ADS8681 at a 1-MSPS throughput rate
- Quad-channel device that facilitates excellent delay-matching between critical interface signals for reliable operation at high speed

Typical Application (continued)

9.2.3 Application Curves

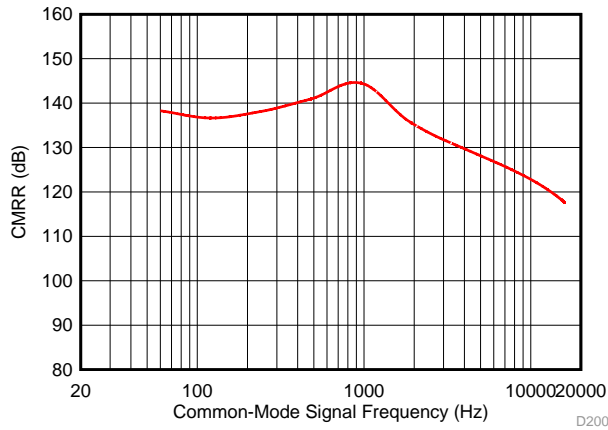
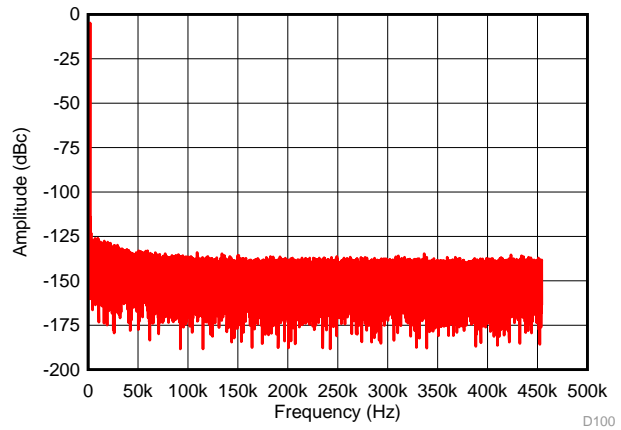
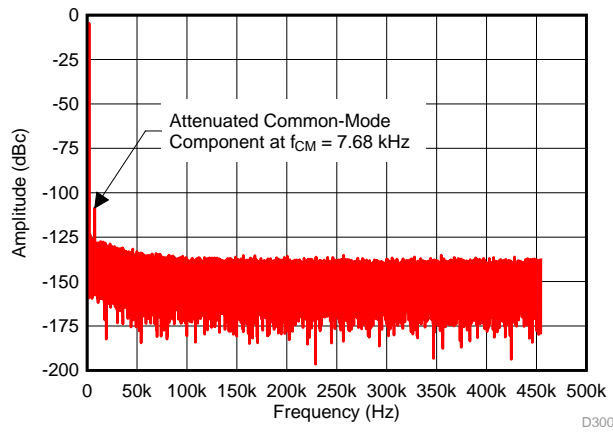


Figure 113. Common-Mode Rejection Ratio vs Frequency



$f_{\text{SAMPLE}} = 909 \text{ kHz}$, $V_{\text{IN}} = \pm 12 \text{ V}$, $f_{\text{IN}} = 1 \text{ kHz}$, $V_{\text{CM}} = 50 \text{ V}_{\text{DC}}$,
 SINAD = 91.6 dB, THD = -109 dB

Figure 114. FFT Plot Showing AC Performance with a DC Common-Mode



$f_{\text{SAMPLE}} = 909 \text{ kHz}$, $V_{\text{IN}} = \pm 12 \text{ V}$, $f_{\text{IN}} = 1 \text{ kHz}$,
 $V_{\text{CM}} = 155 \text{ V}_{\text{PP}}$, SINAD = 91.3 dB, THD = -109 dB

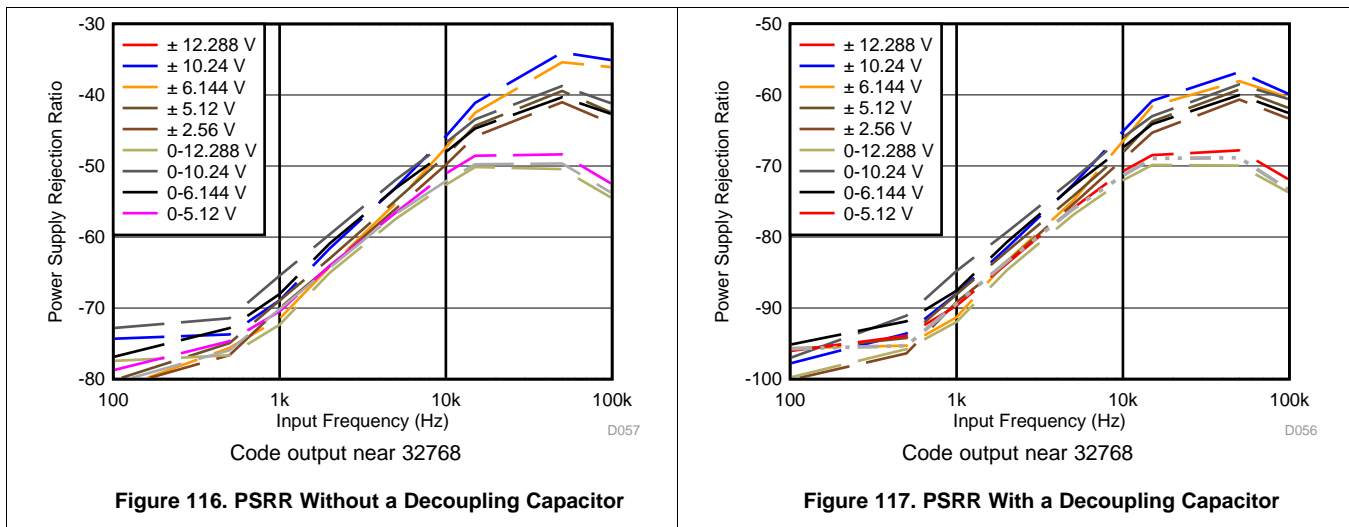
Figure 115. FFT Plot Showing AC Performance with an AC Common-Mode

10 Power Supply Recommendations

The device uses two separate power supplies: AVDD and DVDD. The internal circuits of the device operate on AVDD and DVDD is used for the digital interface. AVDD and DVDD can be independently set to any value within the permissible range.

10.1 Power Supply Decoupling

The AVDD supply pins must be decoupled with AGND by using a minimum 10- μ F and 1- μ F capacitor on each supply. Place the 1- μ F capacitor as close to the supply pins as possible. Place a minimum 10- μ F decoupling capacitor very close to the DVDD supply to provide the high-frequency digital switching current. The effect of using the decoupling capacitor is illustrated in the difference between the power-supply rejection ratio (PSRR) performance of the device. Figure 116 shows the PSRR of the device without using a decoupling capacitor. The PSRR improves when the decoupling capacitors are used, as shown in Figure 117.



10.2 Power Saving

In normal mode of operation, the device does not power down between conversions, and therefore achieves a high throughput of 1 MSPS. However, the device offers two programmable low-power modes: NAP and power-down (PD) to reduce power consumption when the device is operated at lower throughput rates.

10.2.1 NAP Mode

In NAP mode, the internal blocks of the device are placed into a low-power mode to reduce the overall power consumption of the device in the ACQ state.

To enable NAP mode:

- Write 69h to register address 05h to unlock the [RST_PWRCTL_REG](#) register.
- The NAP_EN bit in the [RST_PWRCTL_REG](#) register must be set to 1b. The CONVST/ \overline{CS} pin must be kept high at the end of the conversion process. The device then enters NAP mode at the end of conversion and remains in NAP mode as long as the CONVST/ \overline{CS} pin is held high.

A falling edge on the CONVST/ \overline{CS} brings the device out of NAP mode; however, the host controller can initiate a new conversion (CONVST/ \overline{CS} rising edge) only after the t_{NAP_WKUP} time has elapsed (see the [Timing Requirements: Asynchronous Reset](#) table).

Power Saving (continued)

10.2.2 Power-Down (PD) Mode

The device also features a deep power-down mode (PD) to reduce the power consumption at very low throughput rates.

The following steps must be taken to enter PD mode:

1. Write 69h to register address 05h to unlock the [RST_PWRCTL_REG register](#).
2. Set the PWRDN bit in the [RST_PWRCTL_REG register](#) to 1b. The device enters PD mode on the rising edge of the CONVST/ \overline{CS} signal.

In PD mode, all analog blocks within the device are powered down; however, the interface remains active and the register contents are also retained. The RVS pin is high, indicating that the device is ready to receive the next command.

In order to exit PD mode:

1. Clear the PWRDN bit in the [RST_PWRCTL_REG register](#) to 0b.
2. The RVS pin goes high, indicating that the device has started coming out of PD mode. However, the host controller must wait for the t_{PWRUP} time (see the [Timing Requirements: Asynchronous Reset](#) table) to elapse before initiating a new conversion.

11 Layout

11.1 Layout Guidelines

[Figure 118](#) illustrates a PCB layout example for the ADS8681.

- Partition the PCB into analog and digital sections. Care must be taken to ensure that the analog signals are kept away from the digital lines. This layout helps keep the analog input and reference input signals away from the digital noise. In this layout example, the analog input and reference signals are routed on the lower side of the board and the digital connections are routed on the top side of the board.
- Using a single dedicated ground plane is strongly encouraged.
- Power sources to the ADS8681 must be clean and well-bypassed. Using a 1- μ F, X7R-grade, 0603-size ceramic capacitor with at least a 10-V rating in close proximity to the analog (AVDD) supply pins is recommended. For decoupling the digital supply pin (DVDD), a 1- μ F, X7R-grade, 0603-size ceramic capacitor with at least a 10-V rating is recommended. Placing vias between the AVDD, DVDD pins and the bypass capacitors must be avoided. All ground pins must be connected to the ground plane using short, low-impedance paths.
- There are two decoupling capacitors used for the REFCAP pin. The first is a small, 1- μ F, 0603-size ceramic capacitor placed close to the device pins for decoupling the high-frequency signals and the second is a 10- μ F, 0805-size ceramic capacitor to provide the charge required by the reference circuit of the device. A capacitor with an ESR less than 0.2 Ω is recommended for the 10- μ F capacitor. Both of these capacitors must be directly connected to the device pins without any vias between the pins and capacitors.
- The REFIO pin also must be decoupled with a minimum of 4.7- μ F ceramic capacitor if the internal reference of the device is used. The capacitor must be placed close to the device pins.

11.2 Layout Example

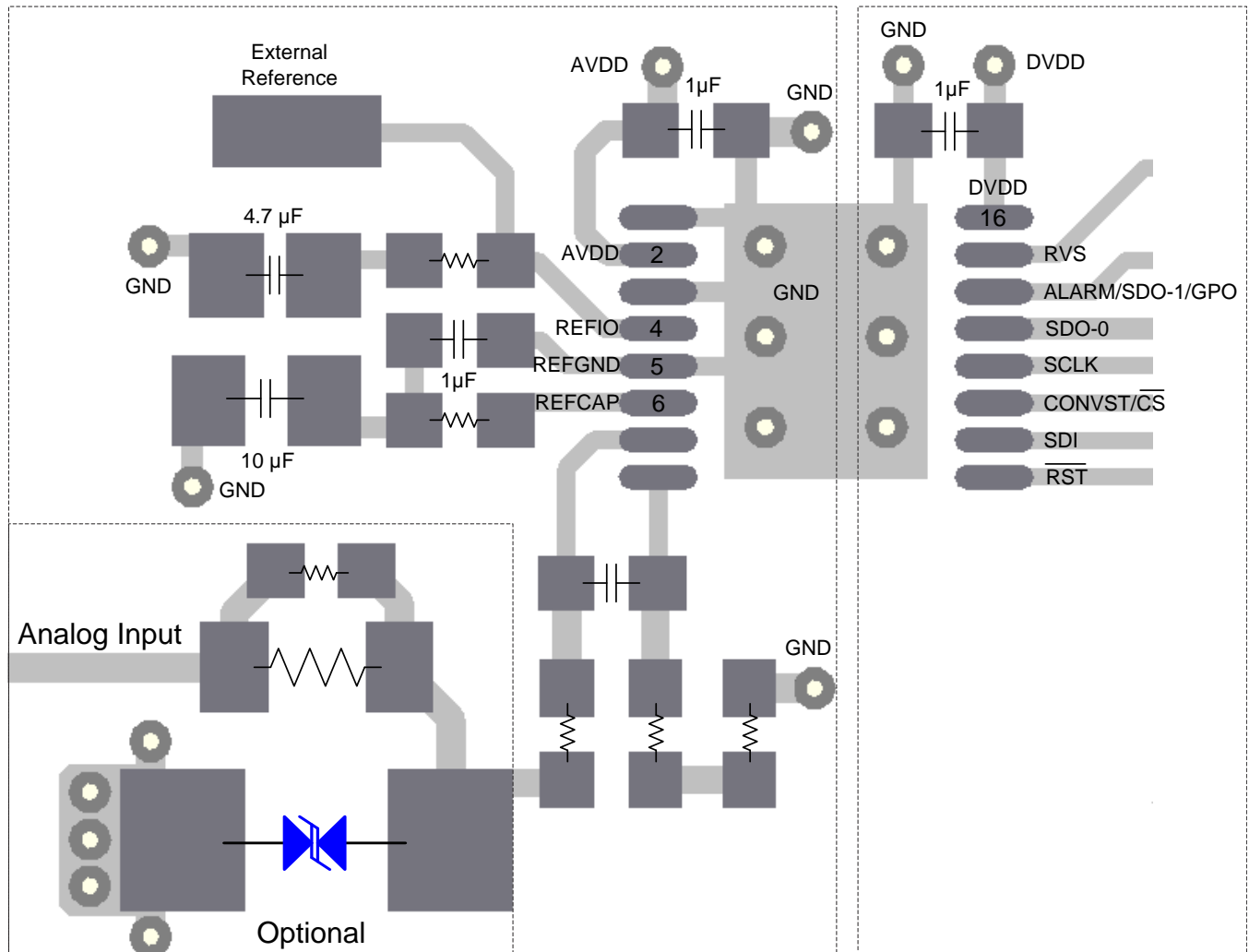


Figure 118. Board Layout for the ADS8681

12 Device and Documentation Support

12.1 Documentation Support

12.1.1 Related Documentation

OPA320 Data Sheet, [SBOS513](#)

SN6501 Data Sheet, [SLLSEA0](#)

TPS7A4901 Data Sheet, [SBVS121](#)

ISO7640FM Data Sheet, [SLLSE89](#)

AN-2029 Handling & Process Recommendations, [SNOA550](#)

12.2 Community Resources

The following links connect to TI community resources. Linked contents are provided "AS IS" by the respective contributors. They do not constitute TI specifications and do not necessarily reflect TI's views; see TI's [Terms of Use](#).

TI E2E™ Online Community *TI's Engineer-to-Engineer (E2E) Community*. Created to foster collaboration among engineers. At [e2e.ti.com](#), you can ask questions, share knowledge, explore ideas and help solve problems with fellow engineers.

Design Support *TI's Design Support* Quickly find helpful E2E forums along with design support tools and contact information for technical support.

12.3 Trademarks

E2E is a trademark of Texas Instruments.

multiSPI, SPI are trademarks of Motorola Mobility LLC.

All other trademarks are the property of their respective owners.

12.4 Electrostatic Discharge Caution



These devices have limited built-in ESD protection. The leads should be shorted together or the device placed in conductive foam during storage or handling to prevent electrostatic damage to the MOS gates.

12.5 Glossary

[SLYZ022](#) — *TI Glossary*.

This glossary lists and explains terms, acronyms, and definitions.

13 Mechanical, Packaging, and Orderable Information

The following pages include mechanical, packaging, and orderable information. This information is the most current data available for the designated devices. This data is subject to change without notice and revision of this document. For browser-based versions of this data sheet, refer to the left-hand navigation.

PACKAGING INFORMATION

Orderable Device	Status (1)	Package Type	Package Drawing	Pins	Package Qty	Eco Plan (2)	Lead/Ball Finish (6)	MSL Peak Temp (3)	Op Temp (°C)	Device Marking (4/5)	Samples
ADS8681IPW	ACTIVE	TSSOP	PW	16	90	Green (RoHS & no Sb/Br)	CU NIPDAU	Level-3-260C-168 HR	-40 to 125	ADS8681	Samples
ADS8681IPWR	ACTIVE	TSSOP	PW	16	2000	Green (RoHS & no Sb/Br)	CU NIPDAU	Level-3-260C-168 HR	-40 to 125	ADS8681	Samples
ADS8681IRUMR	ACTIVE	WQFN	RUM	16	3000	Green (RoHS & no Sb/Br)	CU NIPDAU	Level-2-260C-1 YEAR	-40 to 125	ADS8681	Samples
ADS8681IRUMT	ACTIVE	WQFN	RUM	16	250	Green (RoHS & no Sb/Br)	CU NIPDAU	Level-2-260C-1 YEAR	-40 to 125	ADS8681	Samples

(1) The marketing status values are defined as follows:

ACTIVE: Product device recommended for new designs.

LIFEBUY: TI has announced that the device will be discontinued, and a lifetime-buy period is in effect.

NRND: Not recommended for new designs. Device is in production to support existing customers, but TI does not recommend using this part in a new design.

PREVIEW: Device has been announced but is not in production. Samples may or may not be available.

OBSOLETE: TI has discontinued the production of the device.

(2) Eco Plan - The planned eco-friendly classification: Pb-Free (RoHS), Pb-Free (RoHS Exempt), or Green (RoHS & no Sb/Br) - please check <http://www.ti.com/productcontent> for the latest availability information and additional product content details.

TBD: The Pb-Free/Green conversion plan has not been defined.

Pb-Free (RoHS): TI's terms "Lead-Free" or "Pb-Free" mean semiconductor products that are compatible with the current RoHS requirements for all 6 substances, including the requirement that lead not exceed 0.1% by weight in homogeneous materials. Where designed to be soldered at high temperatures, TI Pb-Free products are suitable for use in specified lead-free processes.

Pb-Free (RoHS Exempt): This component has a RoHS exemption for either 1) lead-based flip-chip solder bumps used between the die and package, or 2) lead-based die adhesive used between the die and leadframe. The component is otherwise considered Pb-Free (RoHS compatible) as defined above.

Green (RoHS & no Sb/Br): TI defines "Green" to mean Pb-Free (RoHS compatible), and free of Bromine (Br) and Antimony (Sb) based flame retardants (Br or Sb do not exceed 0.1% by weight in homogeneous material)

(3) MSL, Peak Temp. - The Moisture Sensitivity Level rating according to the JEDEC industry standard classifications, and peak solder temperature.

(4) There may be additional marking, which relates to the logo, the lot trace code information, or the environmental category on the device.

(5) Multiple Device Markings will be inside parentheses. Only one Device Marking contained in parentheses and separated by a "~" will appear on a device. If a line is indented then it is a continuation of the previous line and the two combined represent the entire Device Marking for that device.

(6) Lead/Ball Finish - Orderable Devices may have multiple material finish options. Finish options are separated by a vertical ruled line. Lead/Ball Finish values may wrap to two lines if the finish value exceeds the maximum column width.

Important Information and Disclaimer: The information provided on this page represents TI's knowledge and belief as of the date that it is provided. TI bases its knowledge and belief on information provided by third parties, and makes no representation or warranty as to the accuracy of such information. Efforts are underway to better integrate information from third parties. TI has taken and continues to take reasonable steps to provide representative and accurate information but may not have conducted destructive testing or chemical analysis on incoming materials and chemicals. TI and TI suppliers consider certain information to be proprietary, and thus CAS numbers and other limited information may not be available for release.

In no event shall TI's liability arising out of such information exceed the total purchase price of the TI part(s) at issue in this document sold by TI to Customer on an annual basis.

TAPE AND REEL INFORMATION



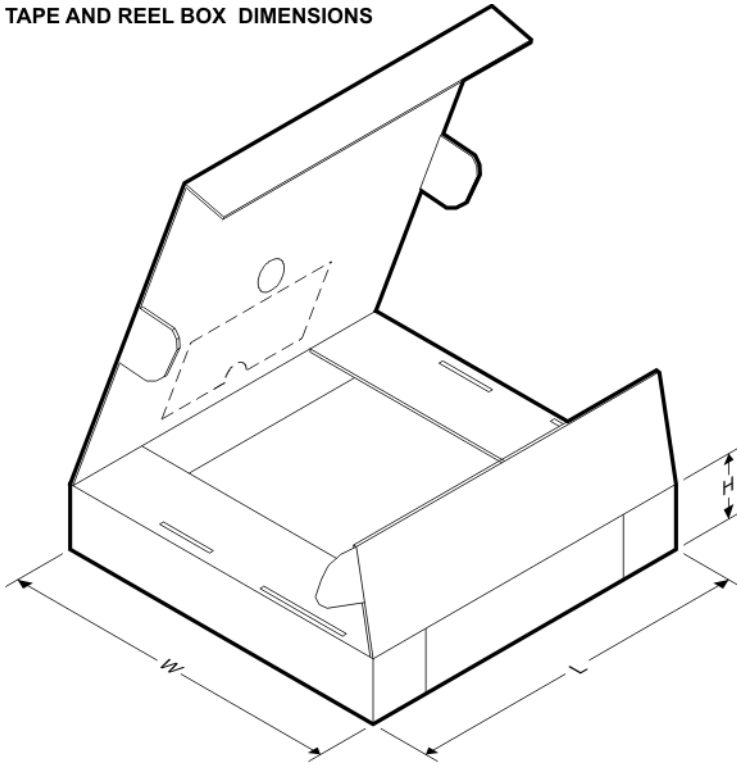
QUADRANT ASSIGNMENTS FOR PIN 1 ORIENTATION IN TAPE



*All dimensions are nominal

Device	Package Type	Package Drawing	Pins	SPQ	Reel Diameter (mm)	Reel Width W1 (mm)	A0 (mm)	B0 (mm)	K0 (mm)	P1 (mm)	W (mm)	Pin1 Quadrant
ADS8681IRUMR	WQFN	RUM	16	3000	330.0	12.4	4.25	4.25	1.15	8.0	12.0	Q2
ADS8681IRUMT	WQFN	RUM	16	250	180.0	12.4	4.25	4.25	1.15	8.0	12.0	Q2

TAPE AND REEL BOX DIMENSIONS

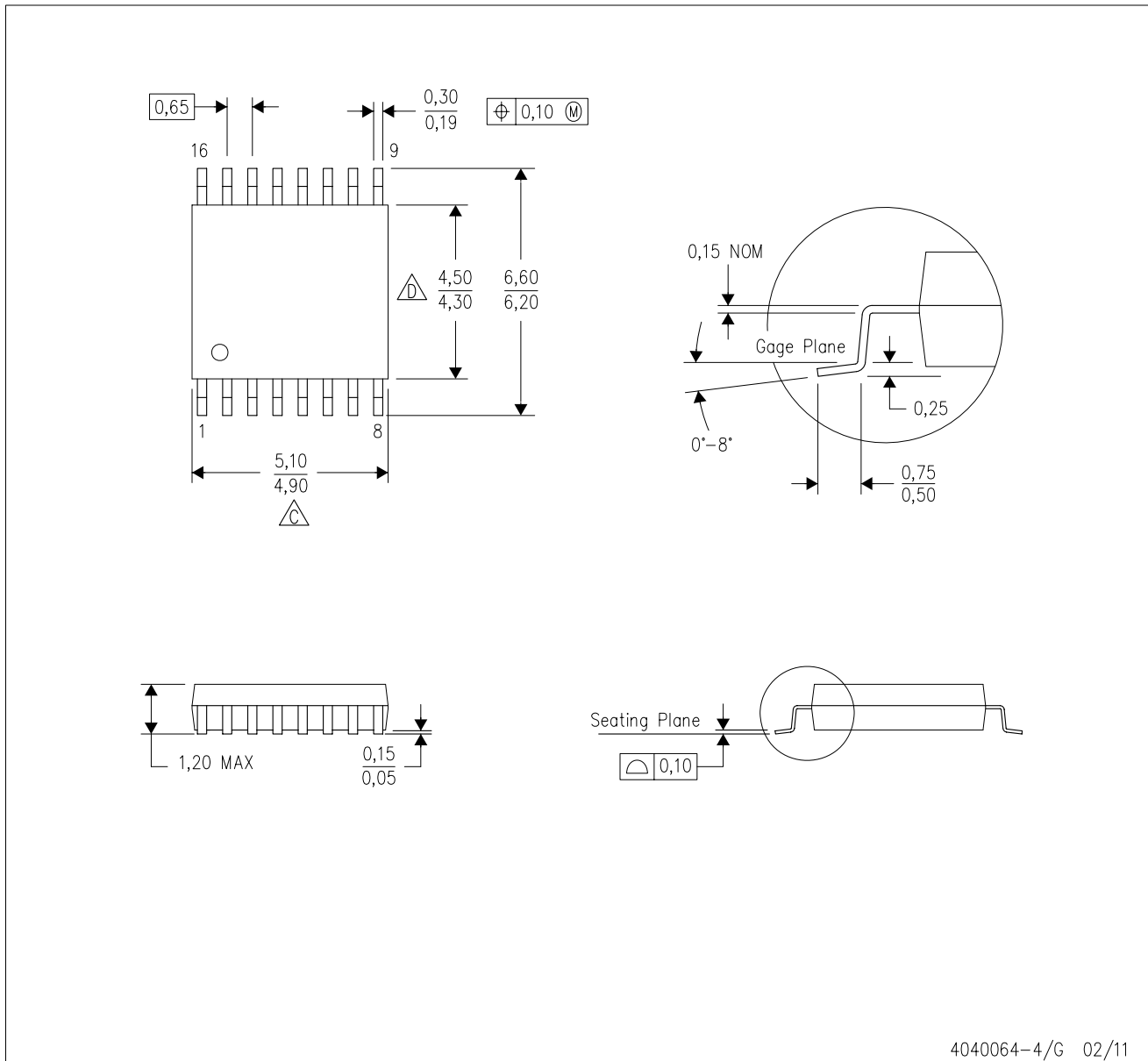


*All dimensions are nominal

Device	Package Type	Package Drawing	Pins	SPQ	Length (mm)	Width (mm)	Height (mm)
ADS8681IRUMR	WQFN	RUM	16	3000	367.0	367.0	35.0
ADS8681IRUMT	WQFN	RUM	16	250	210.0	185.0	35.0

PW (R-PDSO-G16)

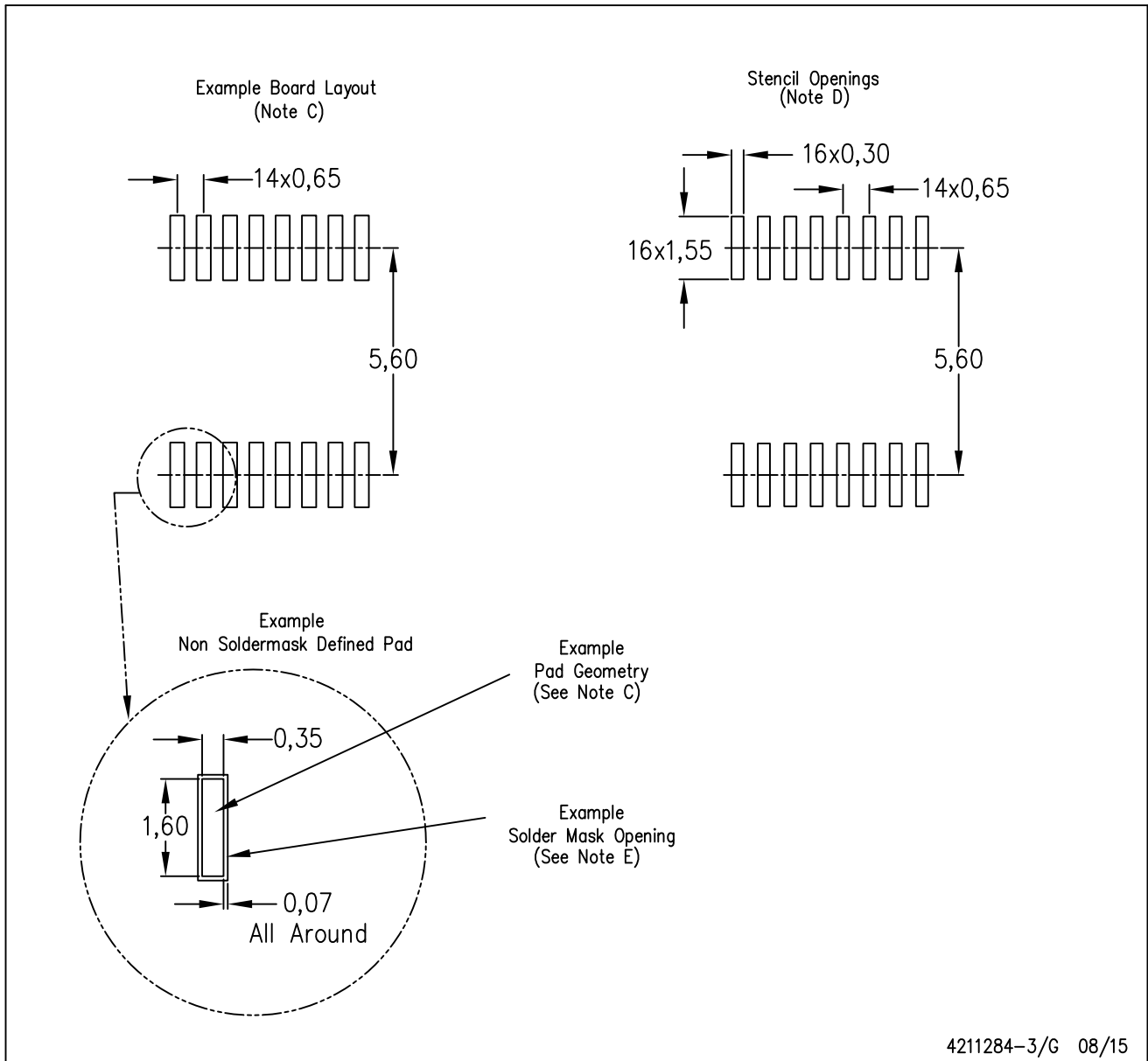
PLASTIC SMALL OUTLINE



- NOTES:
- A. All linear dimensions are in millimeters. Dimensioning and tolerancing per ASME Y14.5M-1994.
 - B. This drawing is subject to change without notice.
 - C. Body length does not include mold flash, protrusions, or gate burrs. Mold flash, protrusions, or gate burrs shall not exceed 0,15 each side.
 - D. Body width does not include interlead flash. Interlead flash shall not exceed 0,25 each side.
 - E. Falls within JEDEC MO-153

PW (R-PDSO-G16)

PLASTIC SMALL OUTLINE

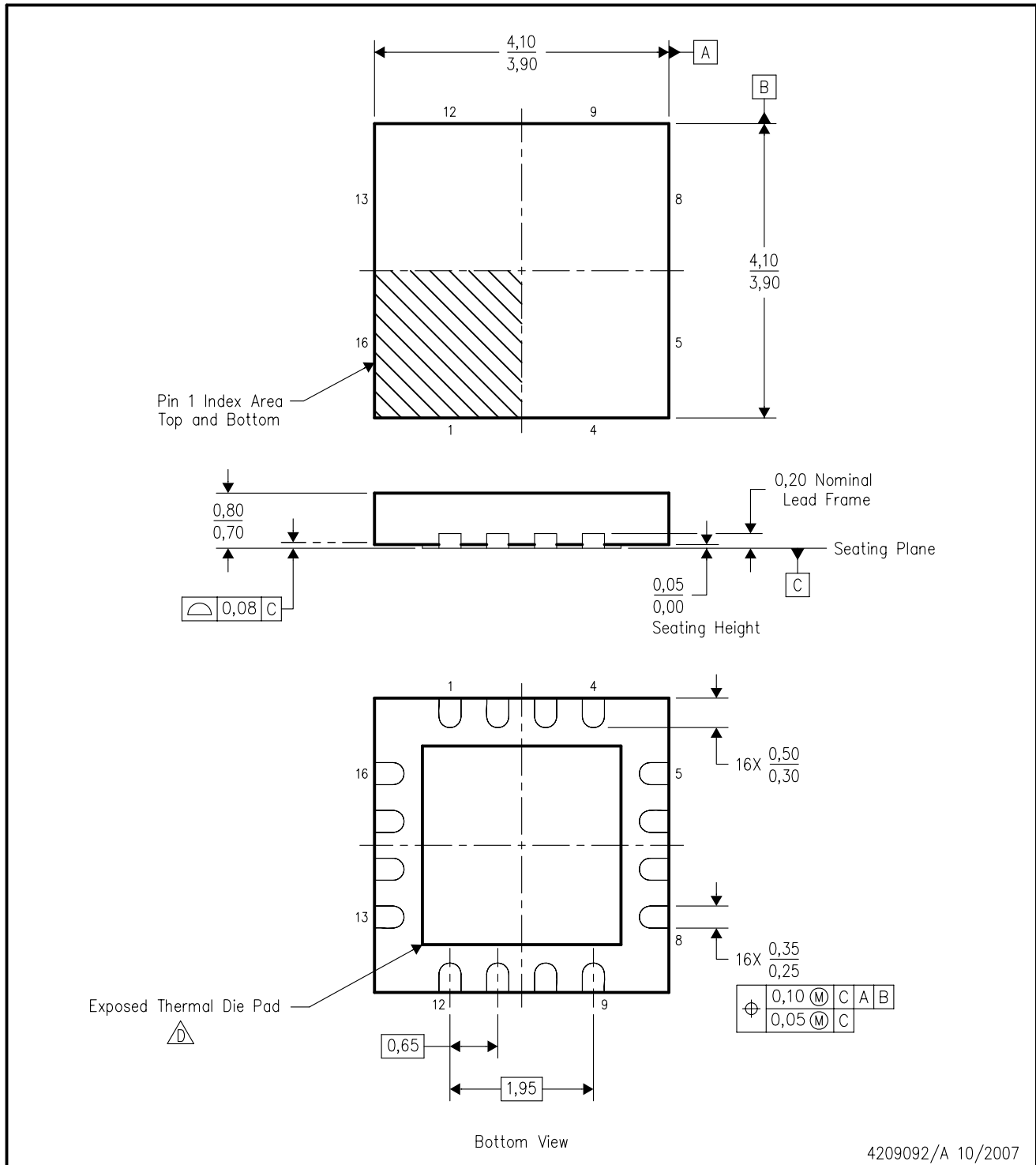


4211284-3/G 08/15


- NOTES:
- All linear dimensions are in millimeters.
 - This drawing is subject to change without notice.
 - Publication IPC-7351 is recommended for alternate designs.
 - Laser cutting apertures with trapezoidal walls and also rounding corners will offer better paste release. Customers should contact their board assembly site for stencil design recommendations. Refer to IPC-7525 for other stencil recommendations.
 - Customers should contact their board fabrication site for solder mask tolerances between and around signal pads.

RUM (S-PQFP-N16)

PLASTIC QUAD FLATPACK



4209092/A 10/2007

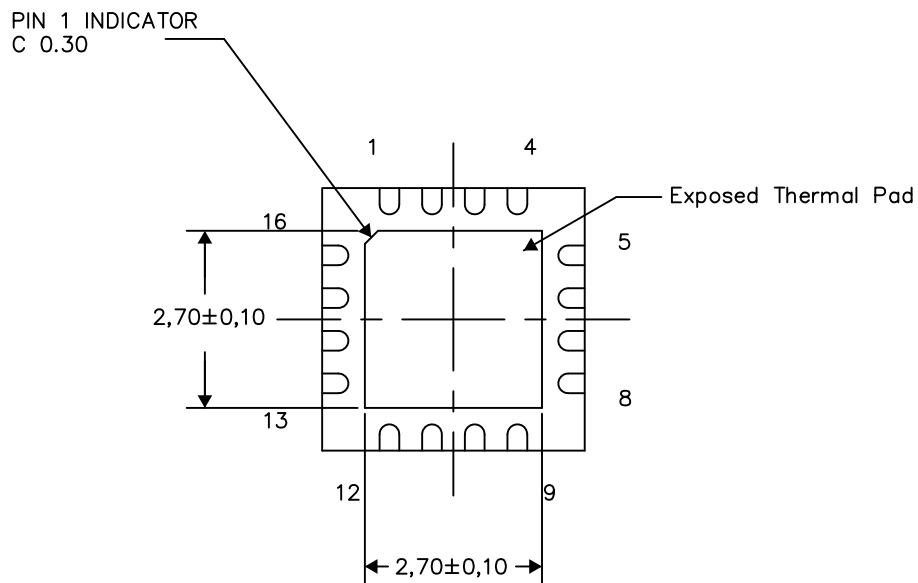
- NOTES:
- A. All linear dimensions are in millimeters. Dimensioning and tolerancing per ASME Y14.5M-1994.
 - B. This drawing is subject to change without notice.
 - C. QFN (Quad Flatpack No-Lead) package configuration.
 -  The package thermal pad must be soldered to the board for thermal and mechanical performance. See the Product Data Sheet for details regarding the exposed thermal pad dimensions.
 - E. Package complies to JEDEC MO-220 variation WGGC-3.

THERMAL INFORMATION

This package incorporates an exposed thermal pad that is designed to be attached directly to an external heatsink. The thermal pad must be soldered directly to the printed circuit board (PCB). After soldering, the PCB can be used as a heatsink. In addition, through the use of thermal vias, the thermal pad can be attached directly to the appropriate copper plane shown in the electrical schematic for the device, or alternatively, can be attached to a special heatsink structure designed into the PCB. This design optimizes the heat transfer from the integrated circuit (IC).

For information on the Quad Flatpack No-Lead (QFN) package and its advantages, refer to Application Report, QFN/SON PCB Attachment, Texas Instruments Literature No. SLUA271. This document is available at www.ti.com.

The exposed thermal pad dimensions for this package are shown in the following illustration.



Bottom View

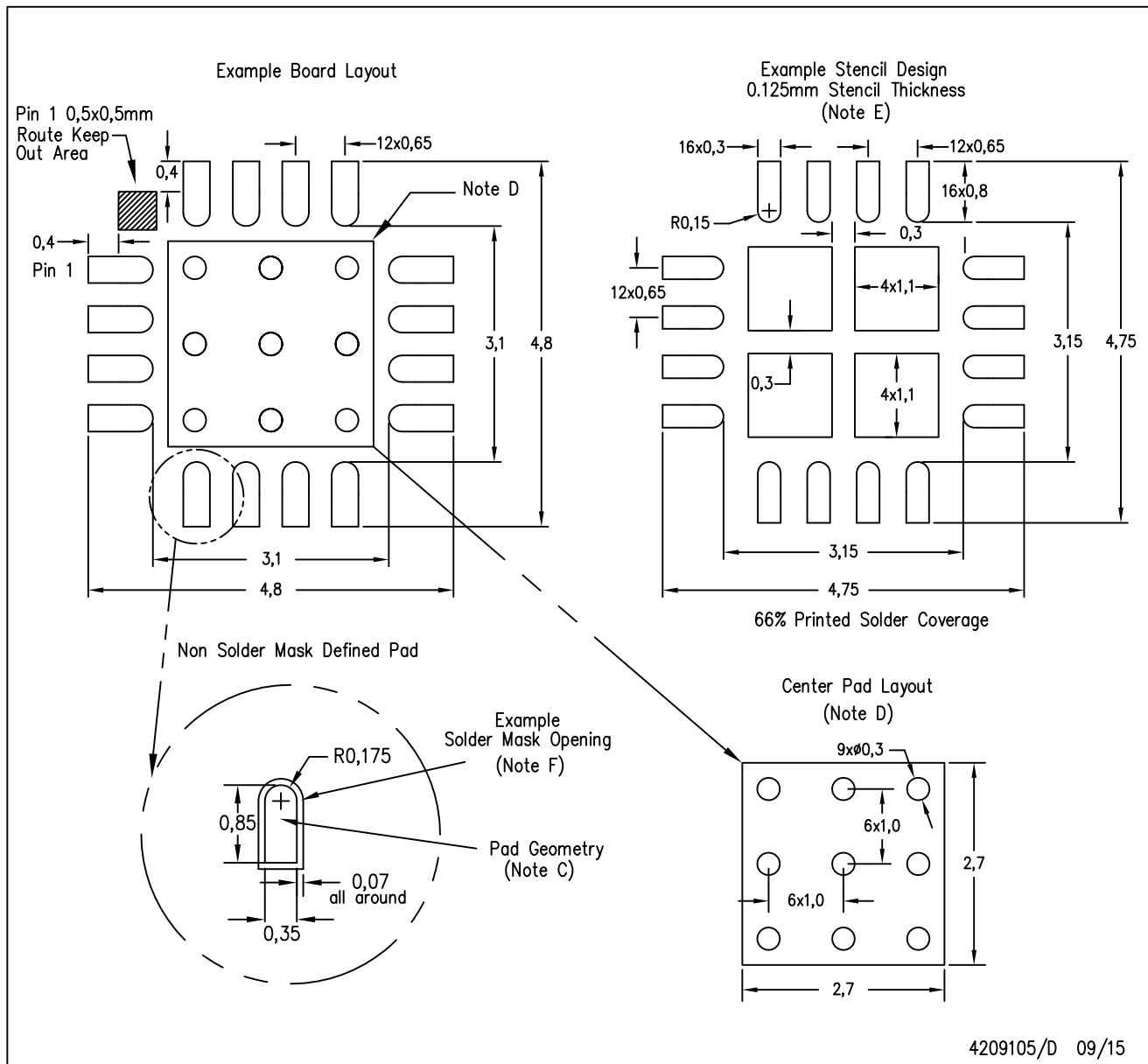
Exposed Thermal Pad Dimensions

4209093-2/F 09/15

NOTES: All linear dimensions are in millimeters

RUM (S-PWQFN-N16)

PLASTIC QUAD FLATPACK NO-LEAD



- NOTES:
- All linear dimensions are in millimeters.
 - This drawing is subject to change without notice.
 - Publication IPC-7351 is recommended for alternate designs.
 - This package is designed to be soldered to a thermal pad on the board. Refer to Application Note, QFN Packages, Texas Instruments Literature No. SLUA271, and also the Product Data Sheets for specific thermal information, via requirements, and recommended board layout. These documents are available at www.ti.com <<http://www.ti.com>>.
 - Laser cutting apertures with trapezoidal walls and also rounding corners will offer better paste release. Customers should contact their board assembly site for stencil design recommendations. Refer to IPC 7525 for stencil design considerations.
 - Customers should contact their board fabrication site for solder mask tolerances.

IMPORTANT NOTICE

Texas Instruments Incorporated and its subsidiaries (TI) reserve the right to make corrections, enhancements, improvements and other changes to its semiconductor products and services per JESD46, latest issue, and to discontinue any product or service per JESD48, latest issue. Buyers should obtain the latest relevant information before placing orders and should verify that such information is current and complete. All semiconductor products (also referred to herein as "components") are sold subject to TI's terms and conditions of sale supplied at the time of order acknowledgment.

TI warrants performance of its components to the specifications applicable at the time of sale, in accordance with the warranty in TI's terms and conditions of sale of semiconductor products. Testing and other quality control techniques are used to the extent TI deems necessary to support this warranty. Except where mandated by applicable law, testing of all parameters of each component is not necessarily performed.

TI assumes no liability for applications assistance or the design of Buyers' products. Buyers are responsible for their products and applications using TI components. To minimize the risks associated with Buyers' products and applications, Buyers should provide adequate design and operating safeguards.

TI does not warrant or represent that any license, either express or implied, is granted under any patent right, copyright, mask work right, or other intellectual property right relating to any combination, machine, or process in which TI components or services are used. Information published by TI regarding third-party products or services does not constitute a license to use such products or services or a warranty or endorsement thereof. Use of such information may require a license from a third party under the patents or other intellectual property of the third party, or a license from TI under the patents or other intellectual property of TI.

Reproduction of significant portions of TI information in TI data books or data sheets is permissible only if reproduction is without alteration and is accompanied by all associated warranties, conditions, limitations, and notices. TI is not responsible or liable for such altered documentation. Information of third parties may be subject to additional restrictions.

Resale of TI components or services with statements different from or beyond the parameters stated by TI for that component or service voids all express and any implied warranties for the associated TI component or service and is an unfair and deceptive business practice. TI is not responsible or liable for any such statements.

Buyer acknowledges and agrees that it is solely responsible for compliance with all legal, regulatory and safety-related requirements concerning its products, and any use of TI components in its applications, notwithstanding any applications-related information or support that may be provided by TI. Buyer represents and agrees that it has all the necessary expertise to create and implement safeguards which anticipate dangerous consequences of failures, monitor failures and their consequences, lessen the likelihood of failures that might cause harm and take appropriate remedial actions. Buyer will fully indemnify TI and its representatives against any damages arising out of the use of any TI components in safety-critical applications.

In some cases, TI components may be promoted specifically to facilitate safety-related applications. With such components, TI's goal is to help enable customers to design and create their own end-product solutions that meet applicable functional safety standards and requirements. Nonetheless, such components are subject to these terms.

No TI components are authorized for use in FDA Class III (or similar life-critical medical equipment) unless authorized officers of the parties have executed a special agreement specifically governing such use.

Only those TI components which TI has specifically designated as military grade or "enhanced plastic" are designed and intended for use in military/aerospace applications or environments. Buyer acknowledges and agrees that any military or aerospace use of TI components which have **not** been so designated is solely at the Buyer's risk, and that Buyer is solely responsible for compliance with all legal and regulatory requirements in connection with such use.

TI has specifically designated certain components as meeting ISO/TS16949 requirements, mainly for automotive use. In any case of use of non-designated products, TI will not be responsible for any failure to meet ISO/TS16949.

Products

Audio	www.ti.com/audio
Amplifiers	amplifier.ti.com
Data Converters	dataconverter.ti.com
DLP® Products	www.dlp.com
DSP	dsp.ti.com
Clocks and Timers	www.ti.com/clocks
Interface	interface.ti.com
Logic	logic.ti.com
Power Mgmt	power.ti.com
Microcontrollers	microcontroller.ti.com
RFID	www.ti-rfid.com
OMAP Applications Processors	www.ti.com/omap
Wireless Connectivity	www.ti.com/wirelessconnectivity

Applications

Automotive and Transportation	www.ti.com/automotive
Communications and Telecom	www.ti.com/communications
Computers and Peripherals	www.ti.com/computers
Consumer Electronics	www.ti.com/consumer-apps
Energy and Lighting	www.ti.com/energy
Industrial	www.ti.com/industrial
Medical	www.ti.com/medical
Security	www.ti.com/security
Space, Avionics and Defense	www.ti.com/space-avionics-defense
Video and Imaging	www.ti.com/video

TI E2E Community

e2e.ti.com