

8

7

6

5

4

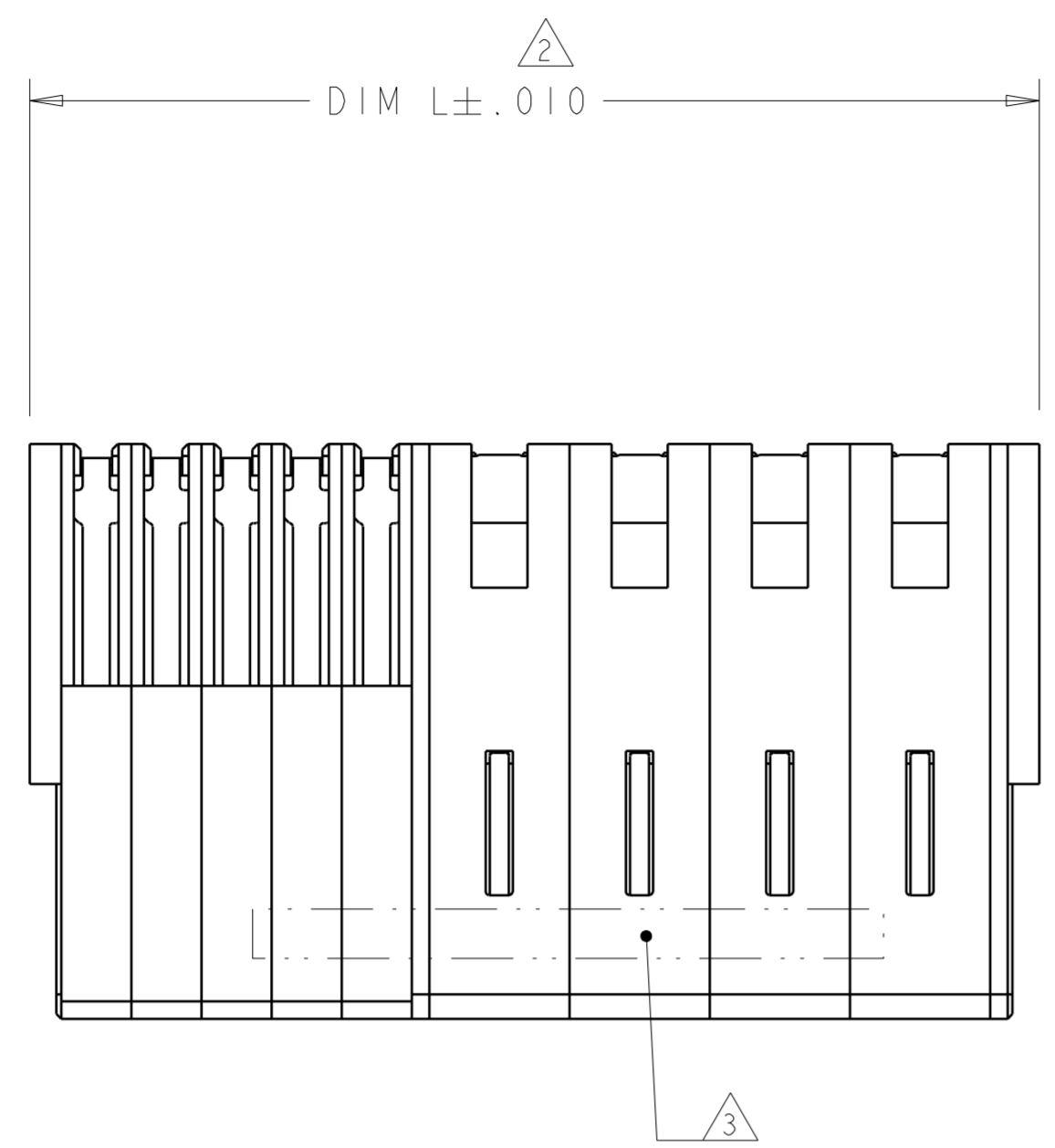
3

2

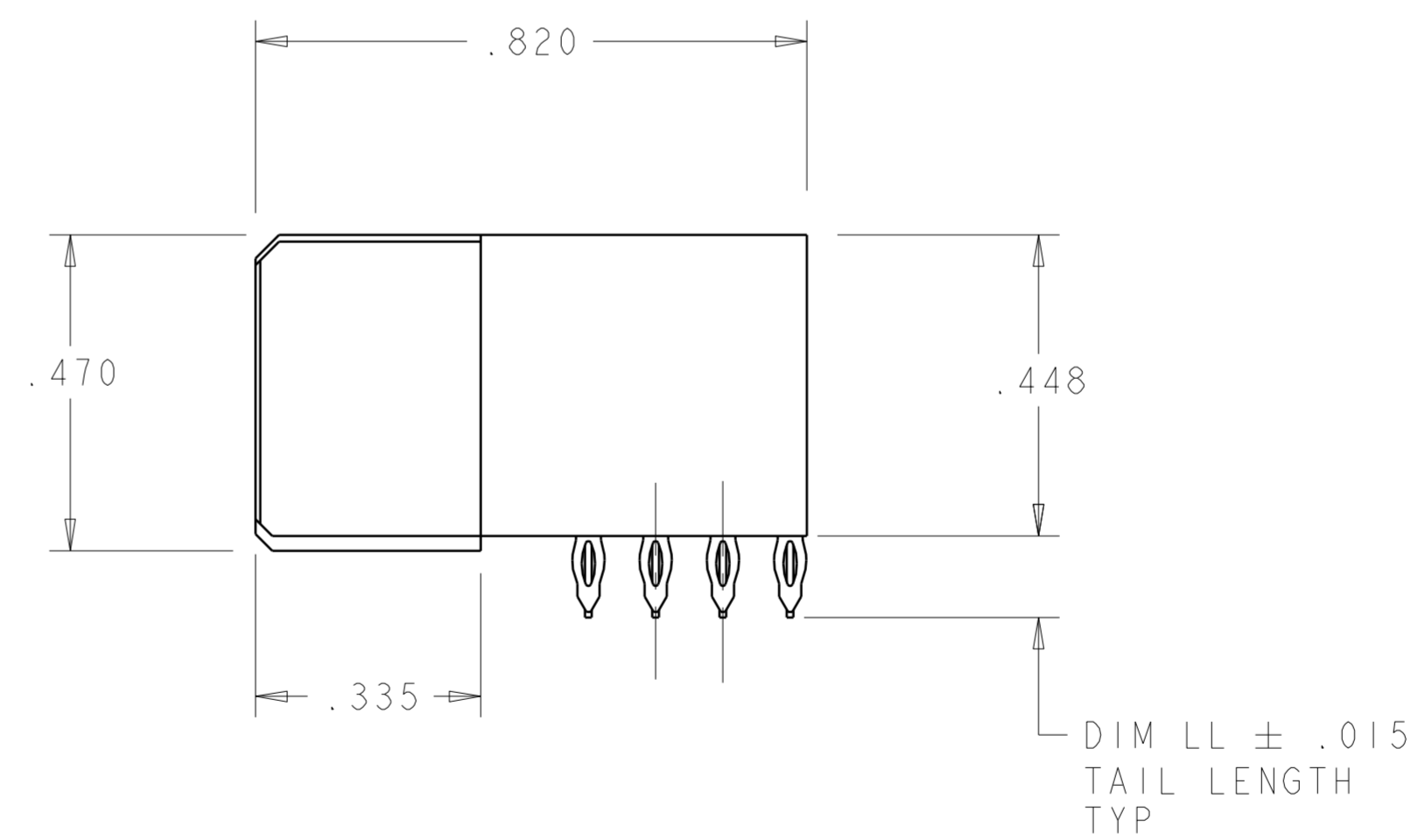
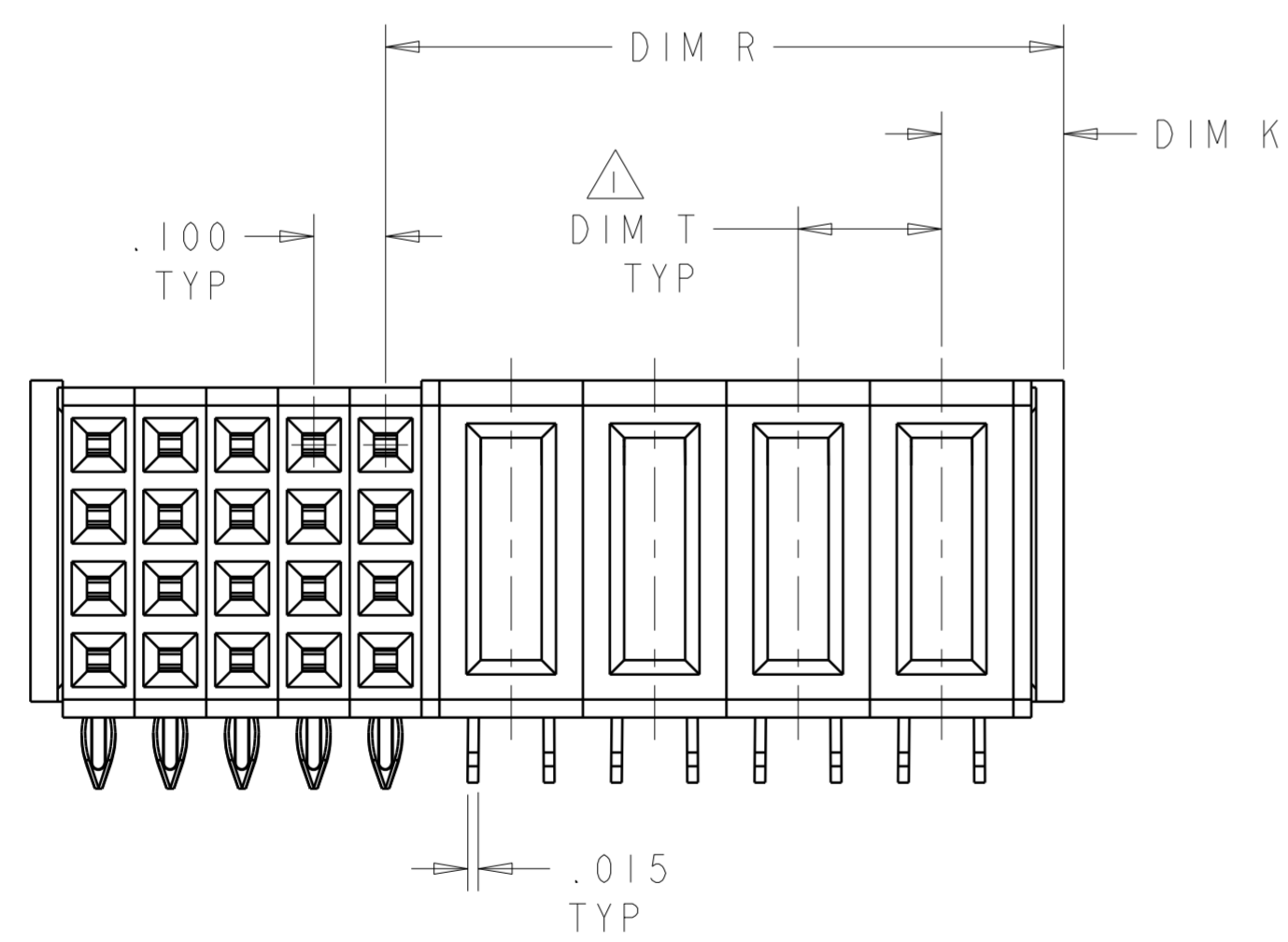
1

THIS DRAWING IS UNPUBLISHED. RELEASED FOR PUBLICATION 20
COPYRIGHT 20 BY TYCO ELECTRONICS CORPORATION. ALL RIGHTS RESERVED.

LOC	DIST	REVISIONS			
ES	00	REV	DATE	BY	APVD
		A	12OCT2006	DZ	SY



- △1 DIM T IS CENTERLINE SPACING OF POWER MODULES ON RIGHT SIDE OF HOUSING.
- △2 THE MAXIMUM OVERALL LENGTH OF A PART IS 8.00.
- △3 PART NUMBER, AND DATE CODE MARKED IN AREA SHOWN. MARKING ON BOTH SIDES PERMITTED FOR PARTS UNDER 2.00 LONG.
- △4 MATERIAL:
HOUSING - GLASS FILLED HIGH TEMP THERMO PLASTIC, UL94 V-0
SIGNAL CONTACT - HIGH CONDUCTIVITY COPPER ALLOY
POWER CONTACT - HIGH CONDUCTIVITY COPPER-IRON ALLOY
- △5 CONTACT PLATING:
SIGNAL CONTACTS - .000050 MIN Ni UNDER ALL.
.000030 MIN Au ON CONTACT AREA.
.000100 MIN Sn AT PCB INTERFACE.
POWER CONTACTS - .000050 MIN Ni UNDER ALL.
.000030 MIN Au ON CONTACT AREA.
.000100 MIN Sn AT PCB INTERFACE.
- △6 MECHANICAL CONNECTOR KEEP OUT ZONE.
- △7 DATUM AND BASIC DIMENSIONS ESTABLISHED BY CUSTOMER.
- △8 PCB - ALL HOLE DIAMETERS ARE FINISHED HOLE SIZES.
- △9 PCB - .0453±.0010 DRILLED HOLES PLATED WITH .0003 MIN Sn OVER .001 TO .003 Cu PLATING TO ACHIEVE A .040 HOLE.
- △0 POWER CONTACT AREA LUBRICATED WITH LUBRICANT



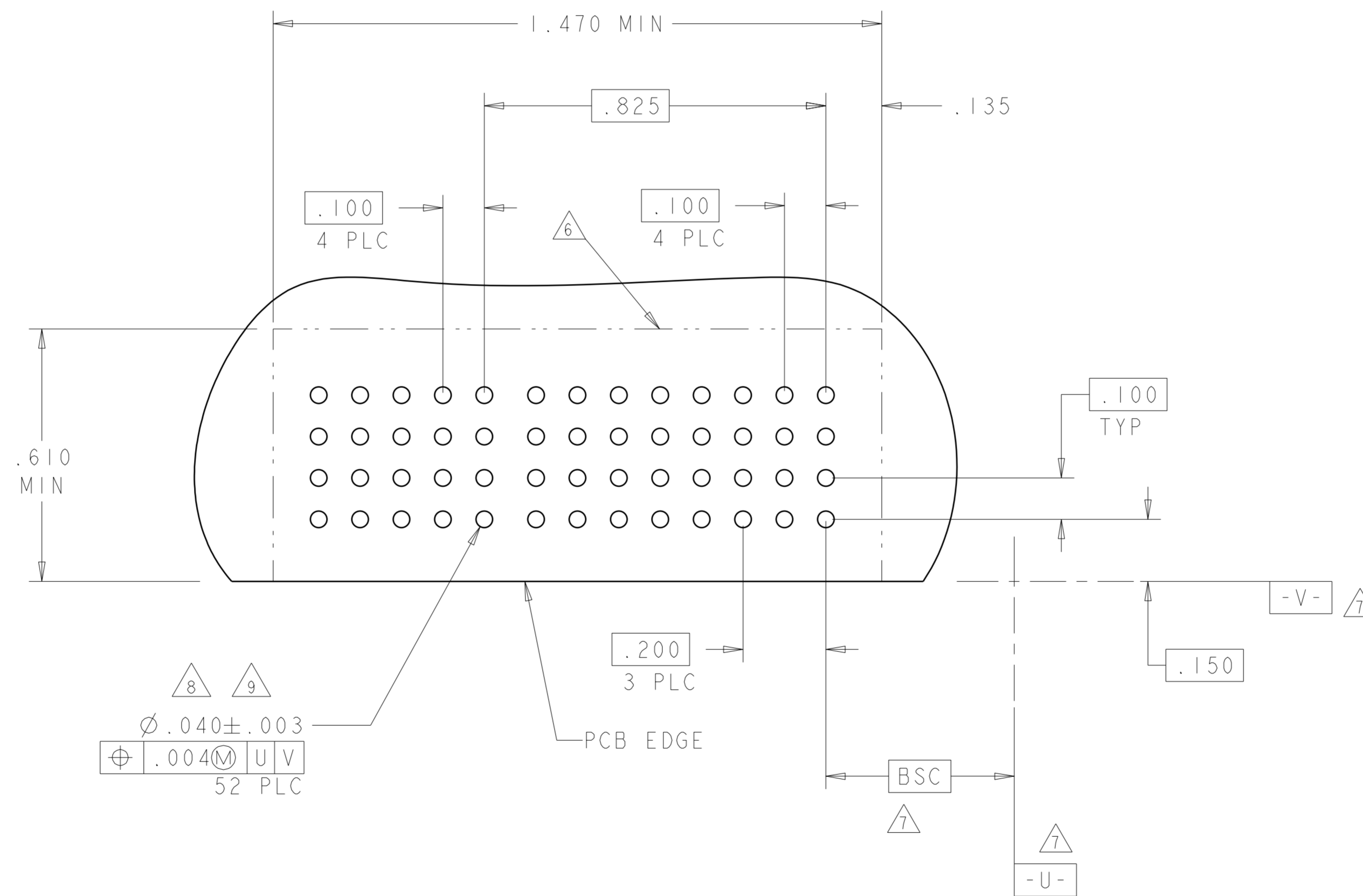
.945	.165	.200	.170	1.440	4HDP + 20S	1892536-1
DIM R	DIM LL	DIM T	DIM K	DIM L	DESCRIPTION	PART NUMBER

THIS DRAWING IS A CONTROLLED DOCUMENT FOR TYCO ELECTRONICS CORPORATION. IT IS SUBJECT TO COMPANY AND THE CONTROLLING ENGINEERING DEPARTMENT. SHOULD BE CONTACTED FOR THE LATEST REVISION.		DWN: DENNY ZHU 12OCT2006 CHK: SUNY ZHAO 12OCT2006	tyco Tyco Electronics Shanghai, P.R.China, 200233
DIMENSIONS: INCHES 0 PLC ±0 1 PLC ±0.1 2 PLC ±0.01 3 PLC ±0.005 4 PLC ±0.0005 ANGLES ±30°		NAME: SUNY ZHAO PRODUCT SPEC: 108-1973 APPLICATION SPEC: 114-13038	
MATERIAL: △4		FINISH: △5, △10 WEIGHT: - SCALE: 4:1 SHEET 1 OF 2 REV A	
CUSTOMER DRAWING			

LOC	DIST	REVISIONS					
ES	00	PT	LTR	DESCRIPTION	DATE	DWN	APVD
				SEE SHEET 1			

PART NUMBER	ROWS	SIGNAL					POWER			
		5	4	3	2	1	P4	P3	P2	P1
1892536-1	D	DD	DD	DD	DD	DD				
	C	CC	CC	CC	CC	CC	RK	RK	RK	RK
	B	BB	BB	BB	BB	BB				
	A	AA	AA	AA	AA	AA				

4HDP + 20S



QTY	DESCRIPTION	IDENTIFIER
1	HOUSING, RIGHT ANGLE RECEPTACLE, MULTI-BEAM XL	HOUSING
5	RECEPT. SIGNAL CONTACT, EYE OF THE NEEDLE, ROW D	DD
5	RECEPT. SIGNAL CONTACT, EYE OF THE NEEDLE, ROW C	CC
5	RECEPT. SIGNAL CONTACT, EYE OF THE NEEDLE, ROW B	BB
5	RECEPT. SIGNAL CONTACT, EYE OF THE NEEDLE, ROW A	AA
4	RCPT POWER CONTACT, R/A, MFBL, MB XL, EYE OF THE NEEDLE	RK

DIMENSIONS: INCHES 		TO TOLERANCES UNLESS OTHERWISE SPECIFIED: 0 PLC ±0 1 PLC ±0.1 2 PLC ±0.01 3 PLC ±0.005 4 PLC ±0.0005 ANGLES ±30°		DWN DENNY ZHU 12OCT2006 CHK SUNY ZHAO 12OCT2006 APVD S. YAO NAME SUNY ZHAO PRODUCT SPEC APPLICATION SPEC WEIGHT FINISH		Tyco Electronics Shanghai, P.R. China, 200233 RIGHT ANGLE RECEPTACLE ASSEMBLY MULTI-BEAM XL, PWR-SIG, NO GUIDE PRESS FIT LEGS SIZE A 00779 C=C-1892536 SCALE 4:1 SHEET 2 OF 2 REV A	
MATERIAL		FINISH		CUSTOMER DRAWING		RESTRICTED TO	