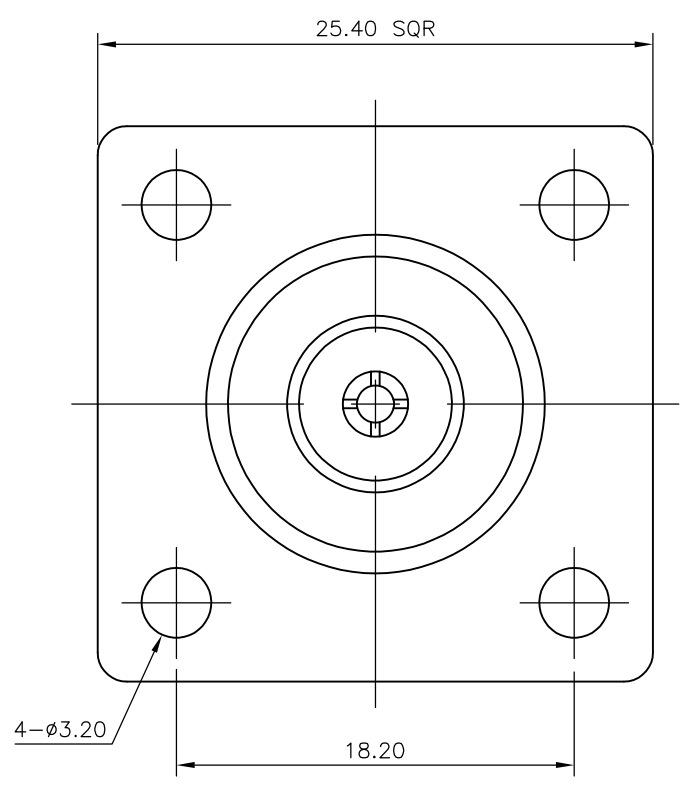
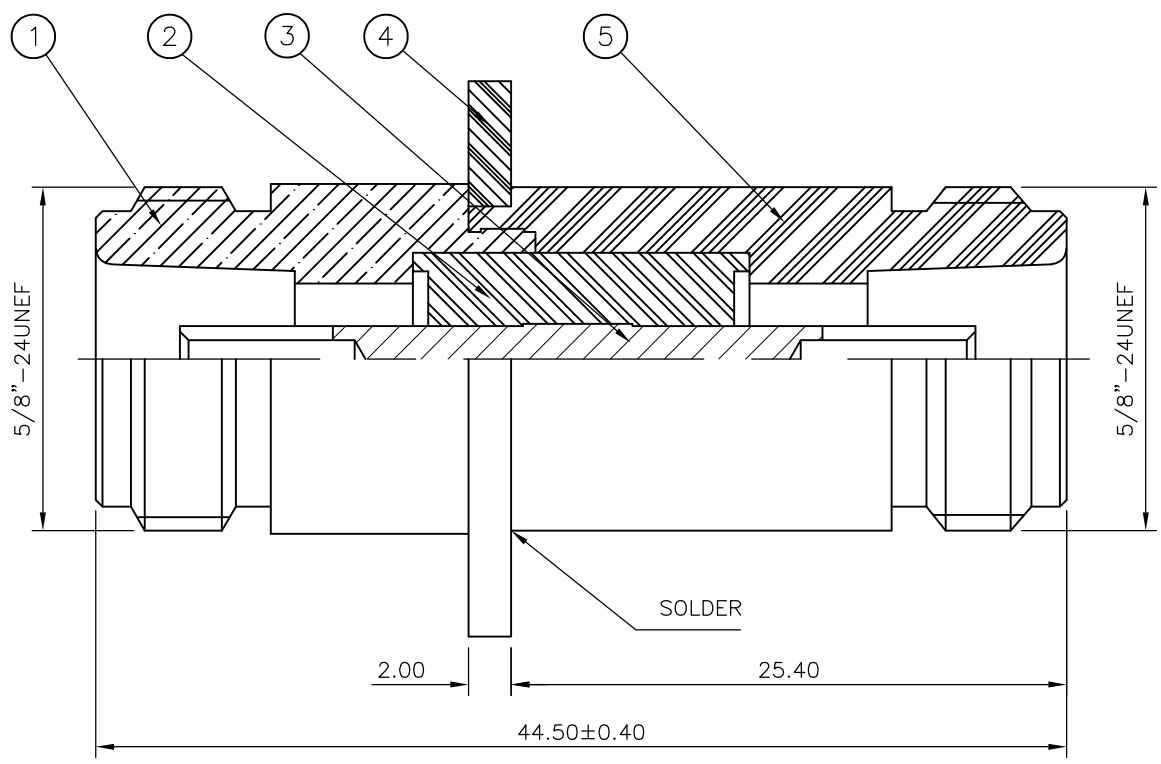


THIS DRAWING IS UNPUBLISHED. RELEASED FOR PUBLICATION DEC ,2004.
 © COPYRIGHT 2004 BY TYCO ELECTRONICS CORPORATION. ALL RIGHTS RESERVED.

LOC	DIST	REVISIONS					
E	B	P	LTR	DESCRIPTION	DATE	DWN	APVD
			B1	ECO-10-021614	200CT10	Titong Seng	

NOTES

- ① SINGLE PACK IN ACCORDANCE WITH AMP SPEC 107-3275
- ② 50 TRAY PACK IN ACCORDANCE WITH AMP SPEC 107-3275
- ③ Au PLATING OVER Cu PLATING
- ④ Ag PLATING OVER Cu PLATING
- ⑤ Ni PLATING OVER Cu PLATING
- 6. CHARACTERISTICS
 FREQUENCY RANGE: DC-11.0GHz
 IMPEDANCE: 50 OHMS
 WORKING VOLTAGE: 1000V MAX AT SEA LEVEL
 DIELECTRIC WITHSTAND VOLTAGE: 2500V RMS MAX
 TEMPERATURE RATE: -55°C TO +165°C
- 7. MECHANICAL CHARACTERISTICS
 DURABILITY: 500 CYCLES MIN
- 8. FOR TECHNICAL DATA REFER TO YOUR LOCAL TYCO ELECTRONICS SALES OFFICE
- 9. ALL DIMENSIONS ARE NOMINAL FOR REFERENCE ONLY UNLESS OTHERWISE STATED



QTY	QTY	QTY	QTY	MATERIAL	DESCRIPTION	ITEM
-	-	1	1	BRASS	⑤ BODY	5
1	1	-	-	BRASS	④ BODY	5
-	-	1	1	BRASS	③ FLANGE	4
1	1	-	-	BRASS	④ FLANGE	4
1	1	-	-	BRASS	④ CONTACT	3
-	-	1	1	BRASS	③ CONTACT	3
1	1	1	1	PTFE	INSULATOR	2
-	-	1	1	BRASS	⑤ BODY	1
1	1	-	-	BRASS	④ BODY	1
6--1	1--1	6--0	1--0	MATERIAL	DESCRIPTION	ITEM

THIS DRAWING IS A CONTROLLED DOCUMENT.		DWN J.SANDWELL 01DEC04	Tyco Electronics Corporation Bideford, UK, EX39 4HE	
DIMENSIONS: mm	TOLERANCES UNLESS OTHERWISE SPECIFIED:	CHK S.PARLOW 01DEC04	NAME N TYPE ADAPTER PANEL MOUNT JACK	
	0 PLC ± - 1 PLC ± - 2 PLC ± - 3 PLC ± - 4 PLC ± - ANGLES ± -	APVD F.WHEELER-KING 01DEC04	PRODUCT SPEC	
MATERIAL SEE TABLE	FINISH SEE TABLE	PRODUCT SPEC	APPLICATION SPEC	RESTRICTED TO
		WEIGHT	SIZE A3	CAGE CODE 00779
			DRAWING NO C-1814407	
CUSTOMER DRAWING		SCALE NTS	SHEET 1 OF 1	REV B1