



Feature -

- encoder: 18 pulse scroller output, and one key center output
- VR: 14 position scroller output, and one key center output
- bi-color LED illuminated available

Application -

- audio / video equipments
- consumer products
- computer products
- Instrumentation
- communication equipments
- home appliances

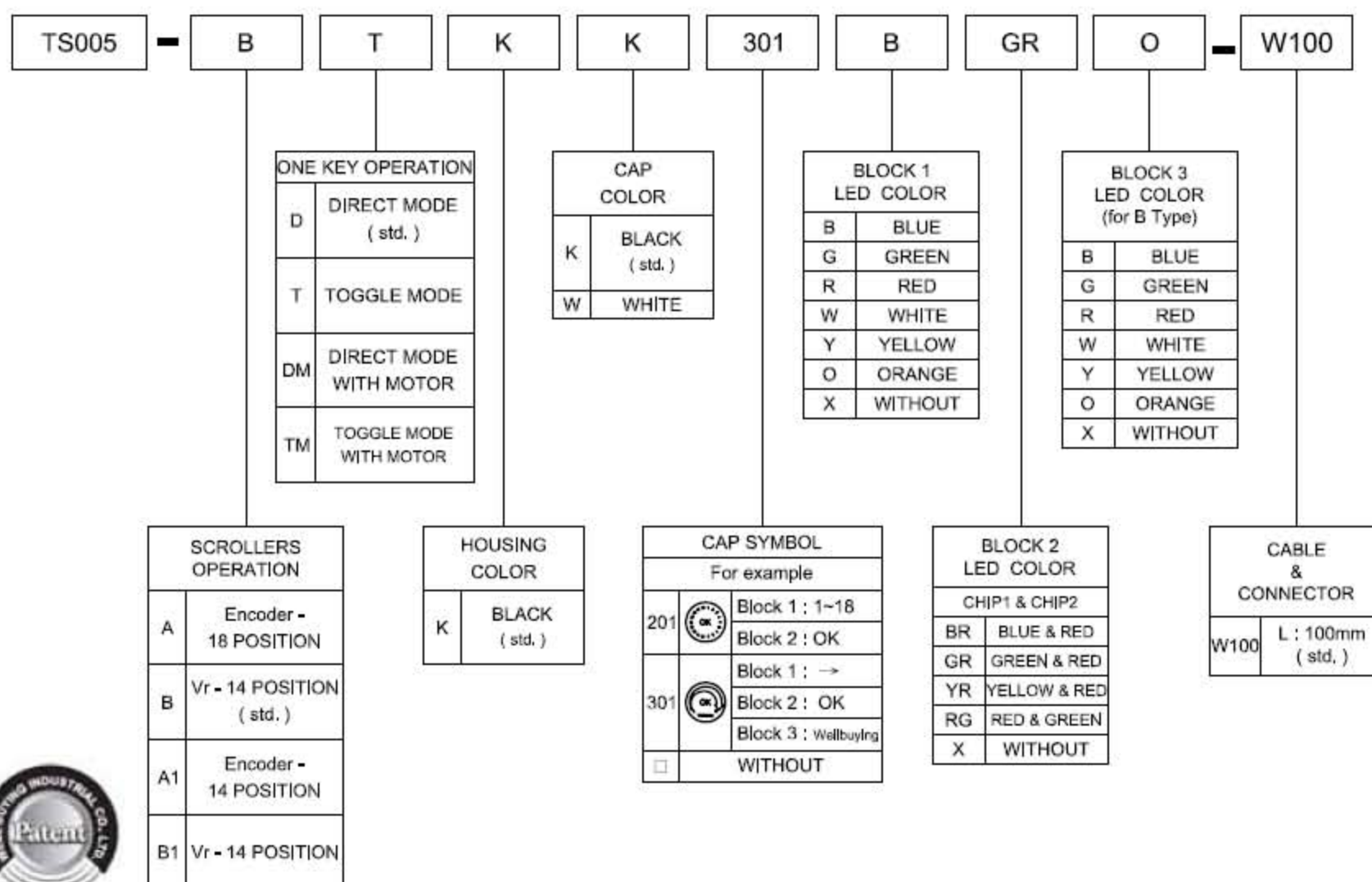
► **SPECIFICATIONS**

SWITCH SPECIFICATIONS							
POLE - POSITION	One-Chanel						
CIRCUIT FEATURE	Capacitive analog signal						
OPERATING TEMPERATURE RANGE	-20°C ~ 70°C						
SEALING	PANEL SEALED TO IP67						
ELECTRICAL CHARACTERISTICS							
Symbol	Parameter	Test Conditions		MIN.	TYP.	MAX.	Units
		V _{DD}	Conditions				
V _{CC}	Input Voltage	-	-	4.5	5.0	5.5	V
V _{DD}	Operating Voltage	-	-	3.0	3.3	3.6	V
I _{DD}	Operating Voltage - No Load	3.3V	3.3V	2	3	5	mA
V _{OH}	Output High Voltage	3.3V	I _{OH} = -4.0mA	2.1	-	-	V
V _{OL}	Output Low Voltage	3.3V	I _{OL} = 8.0mA	-	-	0.9	V
V _L	Input ports	3.3V	-	-	200	-	Hz

LED SPECIFICATIONS						
ATTENTION LEDs are Electrostatic Sensitive devices	(+) ○ — ○ (-)	Unit	Value / LED Color			
			Ultra Green	Ultra Yellow	Ultra Red	
FORWARD CURRENT	I _f	mA	20	20	20	
REVERSE VOLTAGE	V _r	V	5.0	5.0	5.0	
REVERSE CURRENT	I _r	μA	10	10	10	
FORWARD VOLTAGE@20mA	V _f	V	2.1-2.5	2.0-2.5	2.0-2.5	
LUMINOUS INTENSITY@20mA	I _v	mcd	60	120	150	

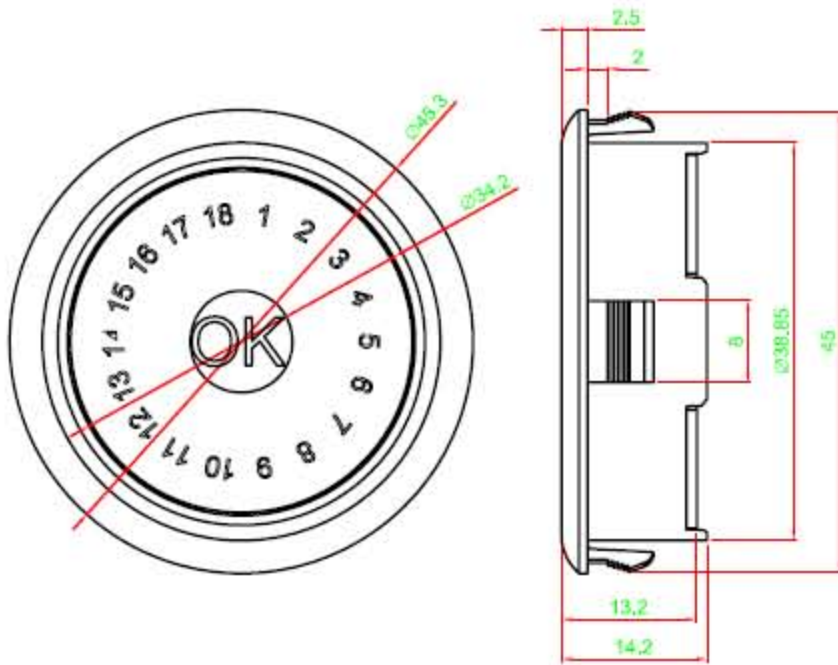
■ Physical and electrical information of LED will be provided upon customer's request on switches .

► **HOW TO ORDER**

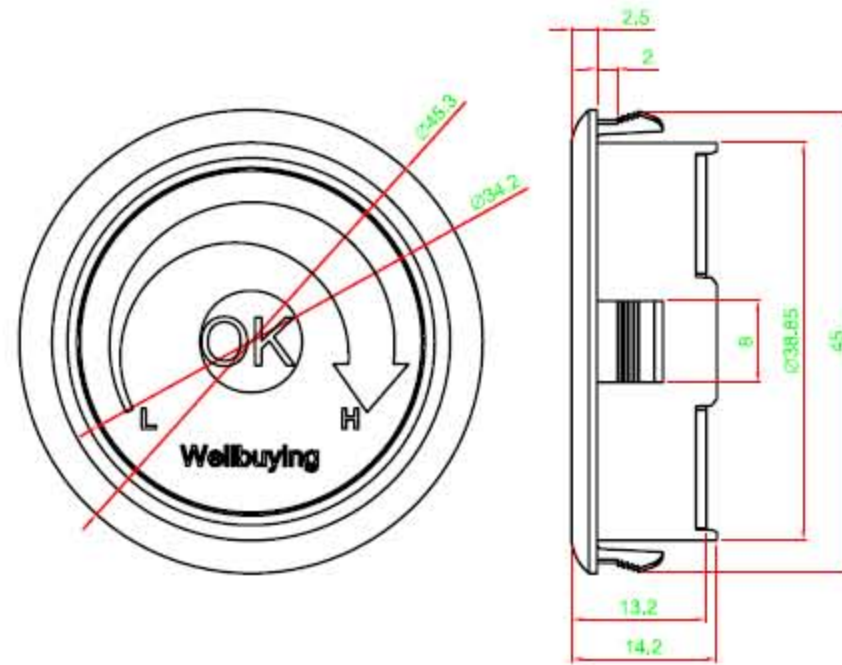


▶ DIMENSION & FRAME TYPE

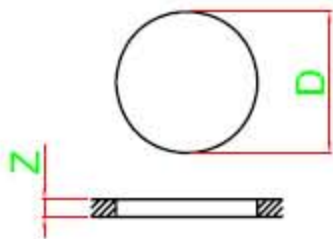
TS005 - AKK201BGRX-W100



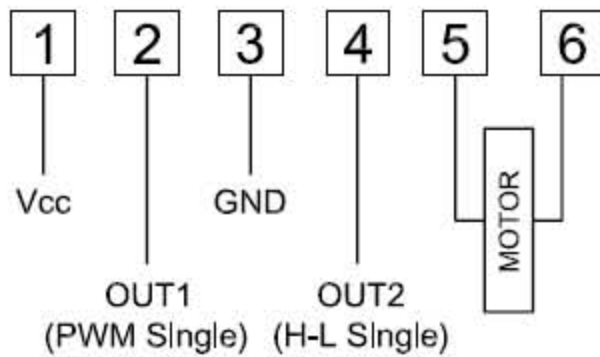
TS005 - BKK301BGRO-W100



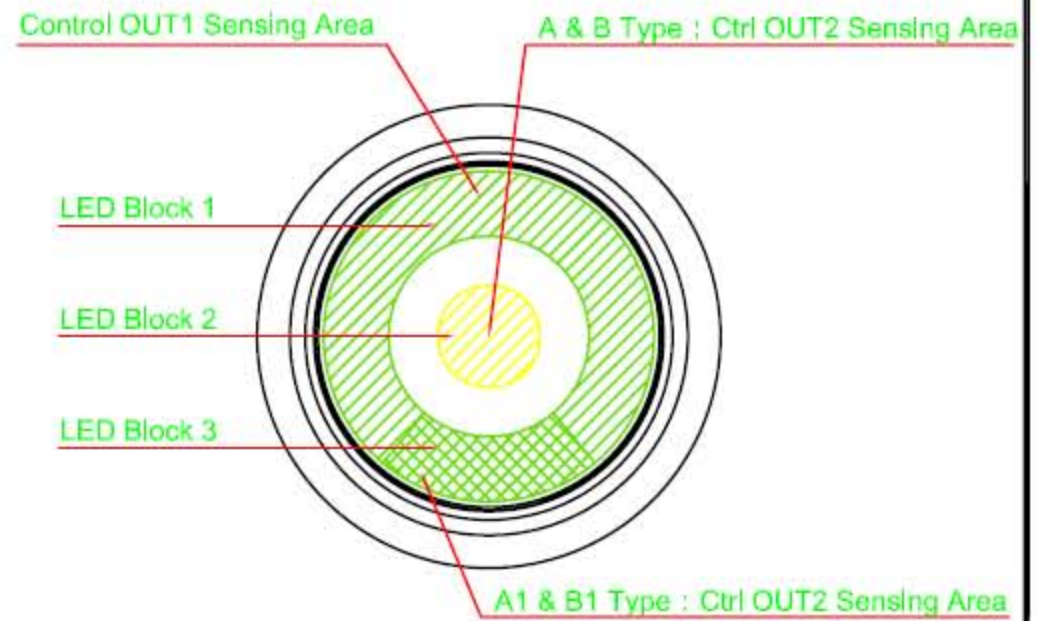
▶ PANEL CUT OUT & CIRCUIT DIAGRAM



Z	D
1.0 ~ 2.0	33.1~33.3
2.0 ~ 2.5	33.3~33.7
2.5 ~ 3.0	33.7~34.0



▶ SCHEMATIC



▶ MATERIAL

- COVER : PC
- HOUSING : PA
- BASE FRAME : PA + GF
- P.C.B : FR4

