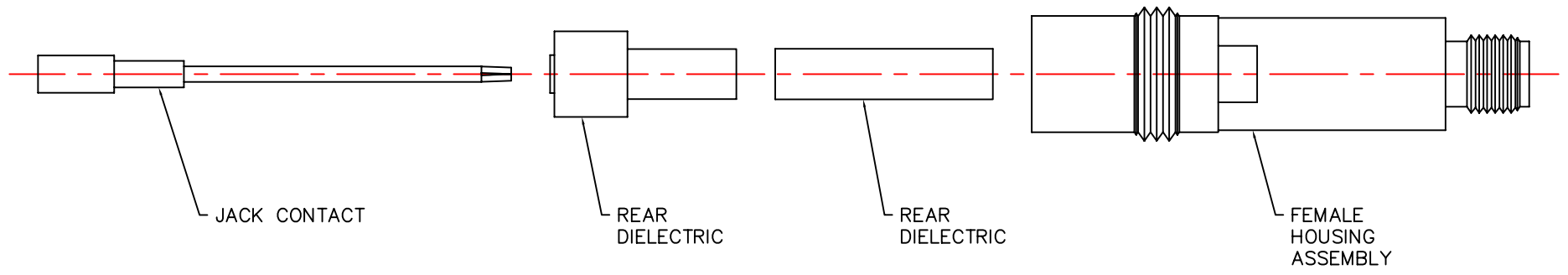


- NOTES:
- 1.0 MATERIALS:
 - 1.1 HOUSING & NUT: STAINLESS STEEL PER ASTM-A582, TYPE 303.
 - 1.2 CENTER CONTACT: BERYLLIUM COPPER ROD ALLOY C172, PER ASTM-B196.
 - 2.0 PLATING:
 - 2.1 HOUSING & NUT: PASSIVATED PER MIL-F-14072 AND QQ-P-35.
 - 2.2 CENTER CONTACT: GOLD PER MIL-G-45204, TYPE II, CLASS 2.
 - 3.0 ELECTRICAL:

(WHEN MATED TO THE APPROPRIATE 7mm CONNECTOR HARDWARE & SUPPORT BEAD)


 - 3.1 VSWR IS 1.025 +.0025f(GHz) MAXIMUM
 - 3.2 FREQUENCY RANGE: DC-18 GHz
 - 3.3 IMPEDANCE: 50 OHMS



REV.	DESCRIPTION	DATE
-	RELEASED	12/29/99

NOTICE: The information contained in this drawing is proprietary and must not be used without the permission of Cinch Connectivity Solutions.

UNLESS OTHERWISE NOTED DIMENSIONS ARE IN INCHES AND TOLERANCES ARE:
 3 PLACE DECIMALS ±.005
 2 PLACE DECIMALS ±.02
 FRACTIONS ±1/64
 PARALLELITY: T.I.R. _____
 FLATNESS: T.I.R. _____
 CONCENTRICITY: T.I.R. _____
 ANGLES AND PERPENDICULARITY: ±1°

CAGE CODE 34078		MIDWEST MICROWAVE	
		TITLE ADAPTER-REBUILD KIT FOR 7MM TO SMA FEMALE OUTLINE DRAWING	
		DRAWING NUMBER ADT-2678-7M-SMF-02-01	REV. -
DRAWN/DATE M.STAFFORD 12/29/99	ENG./DATE	SCALE: 5=1	
CHECKED/DATE	APPROVED/DATE	SHEET 1 of 1	