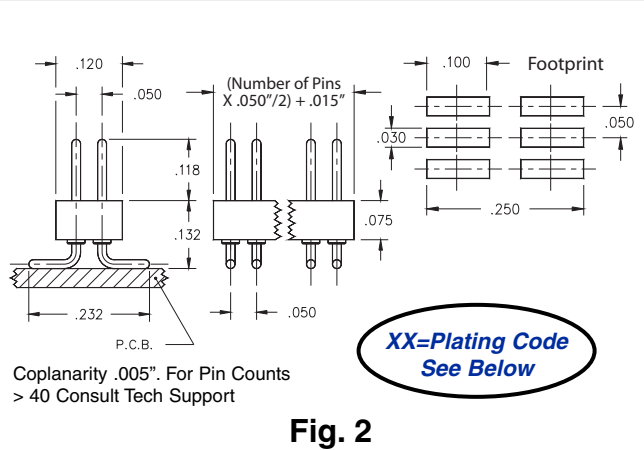
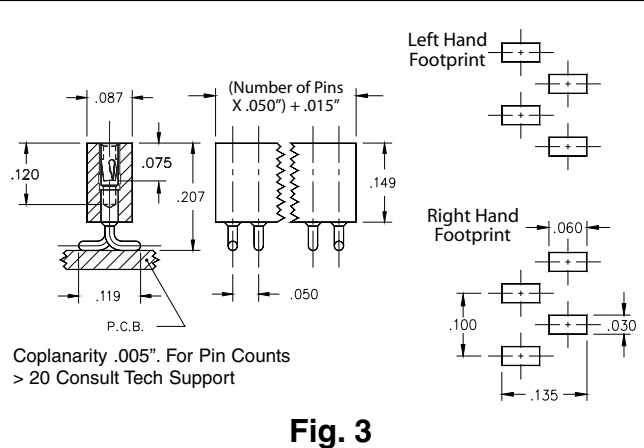


- Single row interconnects having an even number of pins are now available with a left or right hand footprint.
- Headers (850 & 852) use MM# 4006 pins. See page 175 for details.
- Sockets (851 & 853) use MM# 4890-0 receptacles and accept pin diameters from .015-.021. See page 131 for details.
- Coplanarity .005" (Single Row max 20 pins; Double Row max 40 pins). For higher pin counts contact technical support .
- Insulators are high temp. thermoplastic.



Ordering Information

Fig. 1L	Single Row Header, Left Hand Footprint Odd or Even # of pins	850-XX-0__-30-001000
	Specify # of pins	02-50
Fig. 1R	Single Row Header, Right Hand Footprint Even # of pins	850-XX-0__-30-002000
	Specify even # of pins	02-50
Fig. 2	Double Row Header, Even # of pins	852-XX-__-30-001000
	Specify even # of pins	004-100



SPECIFY PLATING CODE XX=	10 \diamond	90	40 \diamond
Pin Plating	10 μ " Au	200 μ " Sn/Pb	200 μ " Sn

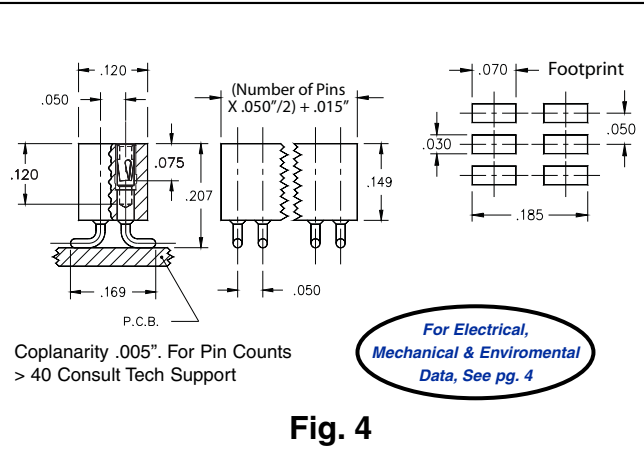


Fig. 3L	Single Row Socket, Left Hand Footprint Odd or Even # of pins	851-XX-0__-30-001000
	Specify # of pins	02-50
Fig. 3R	Single Row Socket, Right Hand Footprint Even # of pins	851-XX-0__-30-002000
	Specify even # of pins	02-50
Fig. 4	Double Row Socket, Even # of pins	853-XX-__-30-001000
	Specify even # of pins	004-100

SPECIFY PLATING CODE XX=	93	99	43 \diamond	44 \diamond
Sleeve (Pin)	200 μ " Sn/Pb	200 μ " Sn/Pb	200 μ " Sn	200 μ " Sn
Contact (Clip)	30 μ " Au	200 μ " Sn/Pb	30 μ " Au	200 μ " Sn