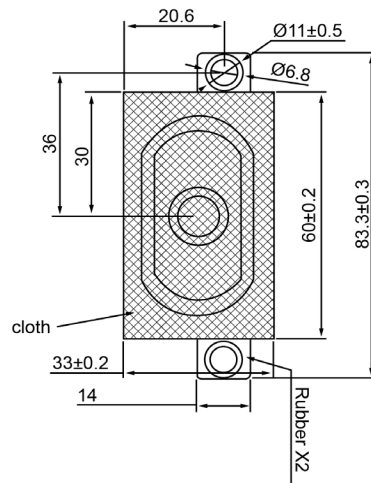
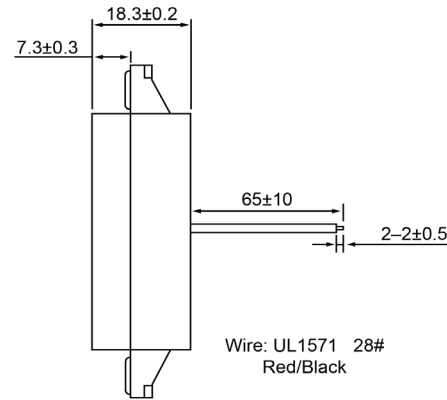


TOP VIEW



SIDE VIEW



Specifications

Description	Value	Unit
Shape	Rectangle	
Resonant Frequency	250	(Hz)
Frequency Range	200 ~ 20,000	(Hz)
SPL @ 10cm	100	(dBA)
Impedance	4	(Ohm)
Cone Material	Cloth	
Nominal Power	2	(W)
Max Power	4	(W)
Mount Type	Flange Mount	
Operating Temperature	- 20 ~ + 60	°C
Storage Temperature	- 30 ~ + 70	°C
Weight	7.6	(g)

Notes

- 1) All dimensions are in mm unless otherwise noted
- 2) All parts meet RoHS



Revision History

Version	Description	Date	Approved		
1	Released from Engineering	12/11/2013	J.S		
Drawn by	Date	Checked by	Date	Approved by	Date
A.B.	12/10/2013	C.E.	12/11/2013	J.S	12/11/2013

Dynamic Speaker

SC600204-1