

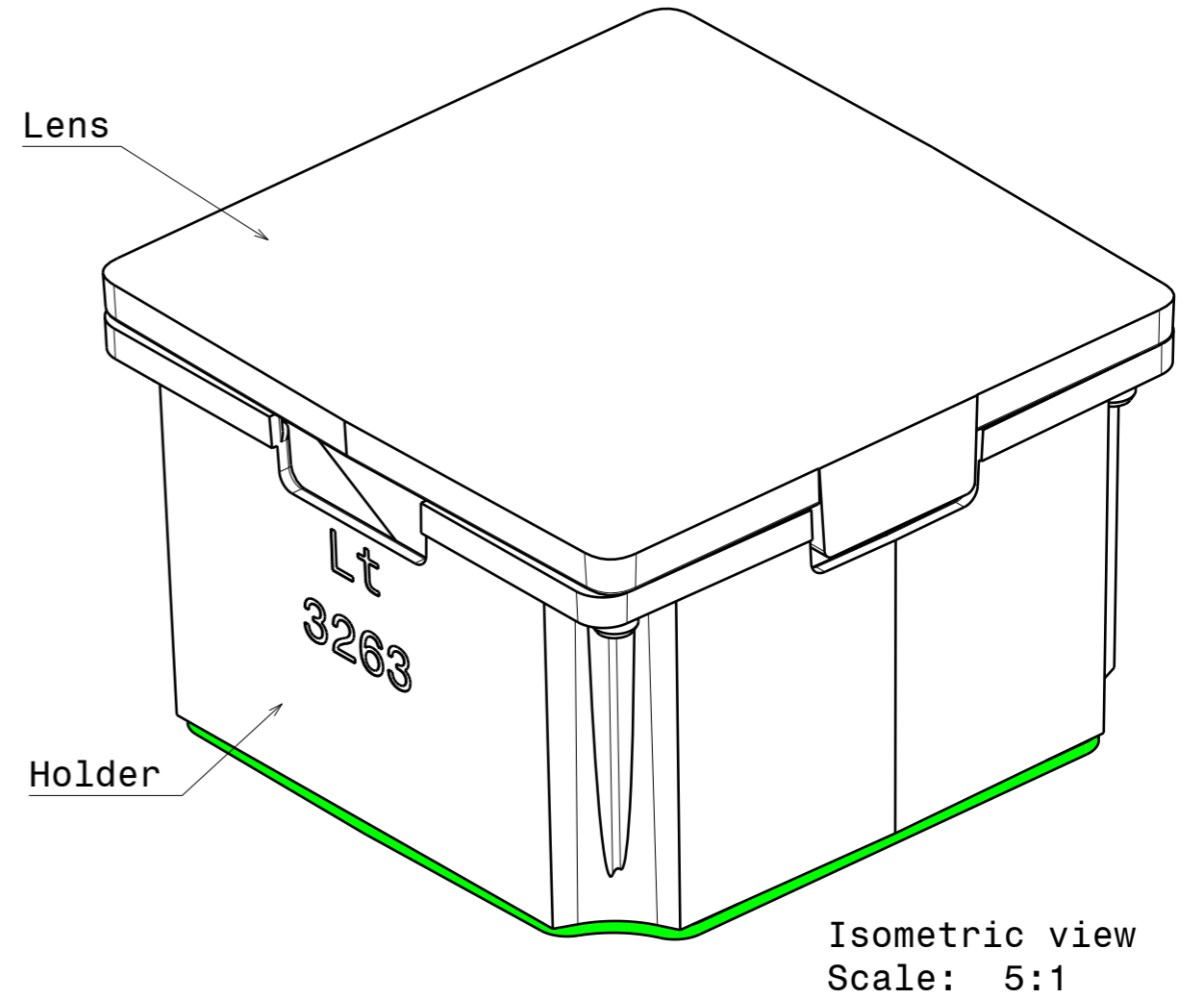
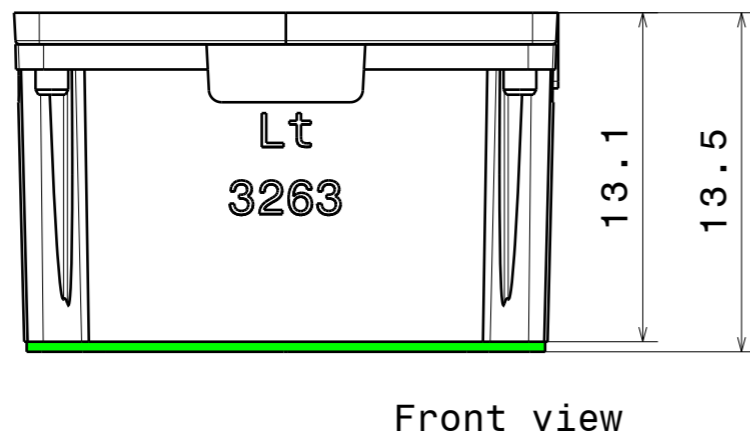
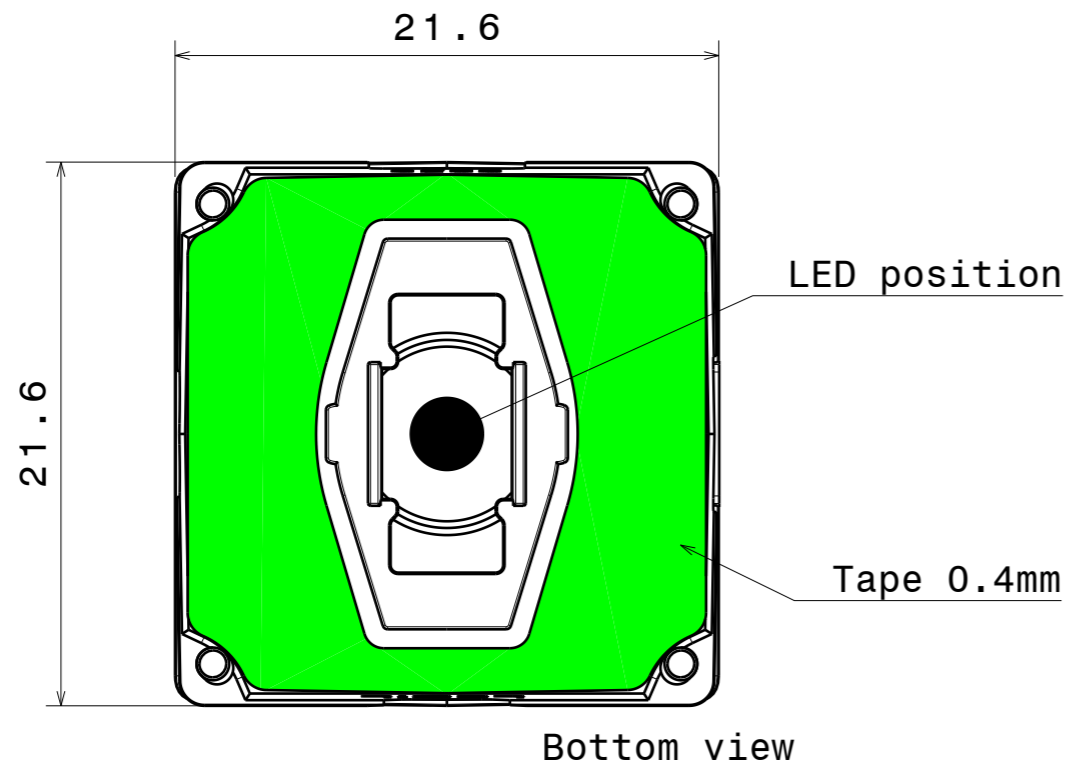
DETAILS

| | |
|------------------------|-------------------------|
| Product Number | CA13622_G2-NIS83-MX-2-O |
| Family | Rose |
| Type | Assembly |
| Color | white |
| Diameter | 21,6*21,6 mm |
| Height | 13,5 mm |
| Style | square |
| Optic Material | PMMA |
| Holder Material | PC |
| Fastening | tape |
| Status | ready |
| ROHS Compliant | Yes |
| Date Updated | 9/05/2014 |

OPTICAL PROPERTIES

| LED | Viewing Angle | Light Beam | Efficiency | cd/lm | Connector |
|--------|---------------|------------|------------|------------|-----------|
| NS6x83 | 14+38 deg | Oval | - | 3.510 | - |
| MX-6 | 44+18 deg | Oval | - | sim: 0.000 | - |





| INDEX | PART NO | MATERIAL | COLOUR |
|-------|---------|-------------------------------|--------|
| 1 | Tape | PU 2-sided adhesive foam tape | |
| 2 | Holder | PC | white |
| 3 | Lens | PMMA | |

Tolerances if not otherwise shown
According to DIN ISO 2768-1
Linear measures:
Up to 30mm class M, otherwise class C.
According to DIN ISO 2768-2
Form and position: class L

LEDiL LediL Oy
Salorankatu 10
FIN 24240 SALO
Finland

THIRD ANGLE PROJECTION:

DRAWING TITLE
CA13622_G2-NIS83-MX-2-0

This drawing is the property
of LEDiL Oy. It may not be
reproduced, copied or
communicated without a written
agreement with LEDiL Oy.

SIZE PART NUMBER
A3 CA13622

SCALE 10:3 WEIGHT - SHEET 1/1

NOTE: The typical divergence will be changed by different color, chip size and chip position tolerance. The typical total divergence is the full angle measured where the luminous intensity is half of the peak value.

GENERAL INFORMATION

- Product series especially designed & optimized for series of LEDs.
- Special care taken to make light distribution as uniform as possible.
- Fastening to heat sink with a PU foam adhesive tape of automotive grade. Please find fastening details by clicking link: http://www.ledil.com/datasheets/DataSheet_TAPE.pdf

NOTE 1: We advise customer to ensure the suitability and sufficiency of the bond in the end product. For example, mechanical stress, vibration and holes on the surface of the circuit board weaken the strength of the tape.

NOTE 2: Assembly to the surface must be made straight, so the tape bonds constant and balanced with fastening surface. Slanted assembly might cause unbalanced bond to the surface. All surfaces where tape is applied must be clean, dry and free from grease and dirt.

If cleaning of PCB surfaces is needed, please follow strictly the cleaning instructions of your LED manufacturer - this is important as cleaning shall under no circumstances damage LEDs or other electronics components on the PCB.

Further note that optical components shall not be cleaned with any chemicals - only micro fiber cloth may be used to remove fingerprints or other traces from handling.