



# PMBus 5-Channel Power-Supply Manager and Intelligent Fan Controller

MAX34441

## General Description

The MAX34441 is a complex system monitor that can manage up to five power supplies and a fan. The power-supply manager monitors the power-supply output voltage and constantly checks for user-programmable overvoltage and undervoltage thresholds. It can also margin the power-supply output voltage up or down to a user-programmable level. The margining is performed in a closed-loop arrangement whereby the device automatically adjusts a pulse-width-modulated (PWM) output and then measures the resultant output voltage. The power-supply manager can also sequence the supplies in any order at both power-up and power-down. With the addition of an external current-sense amplifier, the device can also monitor currents.

The device also contains closed-loop fan-speed control. Based on user-programmable settings for fan-control PWM duty cycles or RPM speeds at particular temperature breakpoints, the device automatically adjusts the fan speed in a manner to reduce audible noise and power consumption.

## Applications

Network Switches/Routers  
Base Stations  
Servers  
Smart Grid Network Systems  
Industrial Controls

## Features

- ◆ **5 Channels of Power-Supply Management**
  - Voltage Measurement/Monitoring**
  - Differential 12-Bit 1% Accurate ADC**
  - Min/Max Threshold Excursion Detection**
  - Supports Current Monitoring with External Current-Sense Amplifier**
  - Automatic Closed-Loop Margining**
  - Programmable Up and Down Sequencing**
  - Power-Good Output**
- ◆ **1 Channel of Fan Control**
  - Supports 3-Wire and 4-Wire Fans**
  - Automatic Closed-Loop Fan-Speed Control**
  - Support for Dual Tachometer Fans**
  - Fan-Fault Detection**
- ◆ **Supports Up to Six Temperature Sensors**
  - External Thermal Diode Interface with Automatic Series Resistance Cancellation**
  - One Internal Temperature Sensor**
  - Support for Up to Four Additional I<sup>2</sup>C Digital Temp Sensor ICs**
  - Fault Detection on All Temp Sensors**
- ◆ **PMBus™-Compliant Command Interface**
- ◆ **I<sup>2</sup>C/SMBus-Compatible Serial Bus with Bus Timeout Function**
- ◆ **On-Board Nonvolatile Fault Logging and Default Configuration Setting**
- ◆ **No External Clocking Required**
- ◆ **+3.3V Supply Voltage**

## Ordering Information

| PART          | TEMP RANGE     | PIN-PACKAGE |
|---------------|----------------|-------------|
| MAX34441ETL+  | -40°C to +85°C | 40 TQFN-EP* |
| MAX34441ETL+T | -40°C to +85°C | 40 TQFN-EP* |

+Denotes a lead(Pb)-free/RoHS-compliant package.

T = Tape and reel.

\*EP = Exposed pad.

PMBus is a trademark of SMIF, Inc.

**Note:** Some revisions of this device may incorporate deviations from published specifications known as errata. Multiple revisions of any device may be simultaneously available through various sales channels. For information about device errata, go to: [www.maxim-ic.com/errata](http://www.maxim-ic.com/errata).



Maxim Integrated Products 1

**For pricing, delivery, and ordering information, please contact Maxim Direct at 1-888-629-4642, or visit Maxim's website at [www.maxim-ic.com](http://www.maxim-ic.com).**

# PMBus 5-Channel Power-Supply Manager and Intelligent Fan Controller

## TABLE OF CONTENTS

|  |    |
|--|----|
| Absolute Maximum Ratings . . . . .                                     | 6  |
| Recommended Operating Conditions . . . . .                             | 6  |
| DC Electrical Characteristics . . . . .                                | 6  |
| Electrical Specifications: I <sup>2</sup> C/SMBus Interface . . . . .  | 8  |
| I <sup>2</sup> C/SMBus Timing . . . . .                                | 8  |
| Typical Operating Characteristics . . . . .                            | 9  |
| Pin Configuration . . . . .  | 10 |
| Pin Description . . . . .  | 10 |
| Block Diagram . . . . .  | 12 |
| Multiple Device Connection Diagram . . . . .                           | 13 |
| Detailed Description . . . . .   | 14 |
| Address Select . . . . .   | 16 |
| SMBus/PMBus Operation . . . . .  | 16 |
| SMBus/PMBus Communication Examples . . . . .                           | 16 |
| Group Command . . . . .  | 17 |
| Group Command Write Format . . . . .                                   | 17 |
| Addressing . . . . .   | 17 |
| ALERT and Alert Response Address (ARA) . . . . .                       | 17 |
| Alert Response Address (ARA) Byte Format . . . . .                     | 18 |
| Host Sends or Reads Too Few Bits . . . . .                             | 18 |
| Host Sends or Reads Too Few Bytes . . . . .                            | 18 |
| Host Sends Too Many Bytes or Bits . . . . .                            | 18 |
| Host Reads Too Many Bytes or Bits . . . . .                            | 18 |
| Host Sends Improperly Set Read Bit in the Slave Address Byte . . . . . | 18 |
| Unsupported Command Code Received . . . . .                            | 18 |
| Invalid Data Received . . . . .  | 18 |
| Host Reads from a Write-Only Command . . . . .                         | 19 |
| Host Writes to a Read-Only Command . . . . .                           | 19 |
| SMBus Timeout . . . . .  | 19 |
| PMBus Operation . . . . .  | 19 |
| PMBus Protocol Support . . . . .                                       | 19 |
| Data Format . . . . .  | 19 |
| Interpreting Received DIRECT Format Values . . . . .                   | 20 |
| Sending a DIRECT Format Value . . . . .                                | 20 |
| Fault Management and Reporting . . . . .                               | 21 |
| System Watchdog Timer . . . . .  | 22 |
| Temperature Sensor Operation . . . . .                                 | 22 |

# **PMBus 5-Channel Power-Supply Manager and Intelligent Fan Controller**

**MAX34441**

---

## **TABLE OF CONTENTS (continued)**

---

|   |    |
|---|----|
| Fan Control Operation . . . . .           | 22 |
| Dual Fan Applications . . . . .           | 22 |
| Automatic Fan Control Operation . . . . . | 22 |
| Pulse Stretching . . . . .                | 24 |
| Fan Spin-Up . . . . .                     | 25 |
| PMBus Commands . . . . .                  | 26 |
| PAGE (00h) . . . . .                      | 26 |
| OPERATION (01h) . . . . .                 | 27 |
| ON_OFF_CONFIG (02h) . . . . .             | 28 |
| CLEAR_FAULTS (03h) . . . . .              | 28 |
| WRITE_PROTECT (10h) . . . . .             | 28 |
| STORE_DEFAULT_ALL (11h) . . . . .         | 29 |
| RESTORE_DEFAULT_ALL (12h) . . . . .       | 29 |
| CAPABILITY (19h) . . . . .                | 29 |
| VOUT_MODE (20h) . . . . .                 | 29 |
| VOUT_MARGIN_HIGH (25h) . . . . .          | 29 |
| VOUT_MARGIN_LOW (26h) . . . . .           | 30 |
| VOUT_SCALE_MONITOR (2Ah) . . . . .        | 30 |
| IOUT_CAL_GAIN (38h) . . . . .             | 30 |
| FAN_CONFIG_1_2 (3Ah) . . . . .            | 31 |
| FAN_COMMAND_1 (3Bh) . . . . .             | 31 |
| VOUT_OV_FAULT_LIMIT (40h) . . . . .       | 32 |
| VOUT_OV_WARN_LIMIT (42h) . . . . .        | 32 |
| VOUT_UV_WARN_LIMIT (43h) . . . . .        | 32 |
| VOUT_UV_FAULT_LIMIT (44h) . . . . .       | 32 |
| IOUT_OC_WARN_LIMIT (46h) . . . . .        | 33 |
| IOUT_OC_FAULT_LIMIT (4Ah) . . . . .       | 33 |
| OT_FAULT_LIMIT (4Fh) . . . . .            | 33 |
| OT_WARN_LIMIT (51h) . . . . .             | 34 |
| POWER_GOOD_ON (5Eh) . . . . .             | 34 |
| POWER_GOOD_OFF (5Fh) . . . . .            | 34 |
| TON_DELAY (60h) . . . . .                 | 35 |
| TON_MAX_FAULT_LIMIT (62h) . . . . .       | 35 |
| TOFF_DELAY (64h) . . . . .                | 35 |
| STATUS_BYTE (78h) . . . . .               | 35 |
| STATUS_WORD (79h) . . . . .               | 36 |
| STATUS_VOUT (7Ah) . . . . .               | 36 |
| STATUS_CML (7Eh) . . . . .                | 36 |

# PMBus 5-Channel Power-Supply Manager and Intelligent Fan Controller

## TABLE OF CONTENTS (continued)

|   |    |
|---|----|
| STATUS_MFR_SPECIFIC (80h) . . . . .                               | 37 |
| STATUS_FANS_1_2 (81h) . . . . .                                   | 37 |
| READ_VOUT (8Bh) . . . . .   | 37 |
| READ_IOUT (8Ch) . . . . .   | 37 |
| READ_TEMPERATURE_1 (8Dh) . . . . .                                | 37 |
| READ_FAN_SPEED_1 (90h) . . . . .                                  | 38 |
| PMBUS_REVISION (98h) . . . . .                                    | 38 |
| MFR_ID (99h) . . . . .  | 38 |
| MFR_MODEL (9Ah) . . . . .   | 38 |
| MFR_REVISION (9Bh) . . . . .                                      | 38 |
| MFR_LOCATION (9Ch) . . . . .                                      | 38 |
| MFR_DATE (9Dh) . . . . .  | 38 |
| MFR_SERIAL (9Eh) . . . . .  | 38 |
| MFR_MODE (D1h) . . . . .  | 39 |
| MFR_VOUT_PEAK (D4h) . . . . .                                     | 40 |
| MFR_IOUT_PEAK (D5h) . . . . .                                     | 40 |
| MFR_TEMPERATURE_PEAK (D6h) . . . . .                              | 40 |
| MFR_VOUT_MIN (D7h) . . . . .                                      | 40 |
| MFR_FAULT_RESPONSE (D9h) . . . . .                                | 40 |
| MFR_FAULT_RETRY (DAh) . . . . .                                   | 41 |
| MFR_NV_FAULT_LOG (DCh) . . . . .                                  | 41 |
| MFR_TIME_COUNT (DDh) . . . . .                                    | 44 |
| MFR_MARGIN_CONFIG (E0h) . . . . .                                 | 44 |
| MFR_TEMP_SENSOR_CONFIG (F0h) . . . . .                            | 45 |
| MFR_FAN_CONFIG (F1h) . . . . .                                    | 46 |
| MFR_FAN_LUT (F2h) . . . . .                                       | 48 |
| TEMPERATURE STEP: Temperature Level Setting . . . . .             | 48 |
| FAN SPEED STEP: Fan PWM Duty Cycle or Fan Speed Setting . . . . . | 49 |
| MFR_READ_FAN_PWM (F3h) . . . . .                                  | 50 |
| MFR_FAN_FAULT_LIMIT (F5h) . . . . .                               | 50 |
| MFR_FAN_WARN_LIMIT (F6h) . . . . .                                | 50 |
| Applications Information . . . . .                                | 51 |
| Power-Supply Decoupling . . . . .                                 | 51 |
| Open-Drain Pins . . . . .   | 51 |
| Typical Operating Circuit . . . . .                               | 52 |
| Package Information . . . . .                                     | 52 |
| Revision History . . . . .  | 53 |

# **PMBus 5-Channel Power-Supply Manager and Intelligent Fan Controller**

**MAX34441**

---

## **LIST OF FIGURES**

---

|   |    |
|---|----|
| Figure 1. Automatic Fan Control . . . . .         | 23 |
| Figure 2. Fan Speed Example . . . . .             | 24 |
| Figure 3. Fan Spin-Up . . . . .                   | 25 |
| Figure 4. Power-Supply Sequencing . . . . .       | 34 |
| Figure 5. MFR_NV_FAULT_LOG . . . . .              | 42 |
| Figure 6. Fan Lookup Table (LUT) Format . . . . . | 49 |

---

## **LIST OF TABLES**

---

|   |    |
|---|----|
| Table 1. PMBus Command Codes . . . . .                                      | 14 |
| Table 2. PMBus/SMBus Serial-Port Address . . . . .                          | 16 |
| Table 3. PMBus Command Code Coefficients . . . . .                          | 20 |
| Table 4. Coefficients for DIRECT Format Value . . . . .                     | 21 |
| Table 5. Device Parametric Monitoring States . . . . .                      | 21 |
| Table 6. DS75LV Address Pin Configurations . . . . .                        | 22 |
| Table 7. Fan Control Operation Modes . . . . .                              | 23 |
| Table 8. Page Commands . . . . .  | 26 |
| Table 9. OPERATION Command Byte (When Bit 3 of ON_OFF_CONFIG = 1). . . . .  | 27 |
| Table 10. OPERATION Command Byte (When Bit 3 of ON_OFF_CONFIG = 0). . . . . | 27 |
| Table 11. ON_OFF_CONFIG (02h) Command Byte . . . . .                        | 28 |
| Table 12. WRITE_PROTECT Command Byte . . . . .                              | 28 |
| Table 13. CAPABILITY Command Byte . . . . .                                 | 29 |
| Table 14. VOUT_SCALE_MONITOR . . . . .                                      | 30 |
| Table 15. FAN_CONFIG_1_2 Command Byte . . . . .                             | 31 |
| Table 16. PWM Fan Mode (FAN_CONFIG_1_2 Bit 6 = 0). . . . .                  | 31 |
| Table 17. RPM Fan Mode (FAN_CONFIG_1_2 Bit 6 = 1). . . . .                  | 31 |
| Table 18. IOUT_OC_FAULT_LIMIT . . . . .                                     | 33 |
| Table 19. TON_MAX_FAULT_LIMIT . . . . .                                     | 35 |
| Table 20. STATUS_BYTE . . . . .   | 35 |
| Table 21. STATUS_WORD . . . . .   | 36 |
| Table 22. STATUS_VOUT . . . . .   | 36 |
| Table 23. STATUS_CML . . . . .  | 36 |
| Table 24. STATUS_MFR_SPECIFIC . . . . .                                     | 37 |
| Table 25. STATUS_FANS_1_2 . . . . .   | 37 |
| Table 26. MFR_MODE . . . . .  | 39 |
| Table 27. MFR_FAULT_RESPONSE . . . . .                                      | 40 |
| Table 28. MFR_FAULT_RESPONSE Codes . . . . .                                | 41 |
| Table 29. MFR_NV_FAULT_LOG . . . . .  | 42 |
| Table 30. MFR_MARGIN_CONFIG . . . . .                                       | 44 |
| Table 31. MFR_TEMP_SENSOR_CONFIG . . . . .                                  | 45 |
| Table 32. MFR_FAN_CONFIG . . . . .  | 46 |
| Table 33. MFR_FAN_LUT . . . . .   | 48 |
| Table 34. Valid Temperature Range . . . . .                                 | 48 |
| Table 35. Monitored Fan Fault and Warning Parameters . . . . .              | 50 |

# PMBus 5-Channel Power-Supply Manager and Intelligent Fan Controller

## ABSOLUTE MAXIMUM RATINGS

|  |                                    |   |                 |
|--|------------------------------------|---|-----------------|
| V <sub>DD</sub> to V <sub>SS</sub> .....                                   | -0.3V to +5.5V                     | Operating Temperature Range .....       | -40°C to +85°C  |
| RS- to V <sub>SS</sub> .....   | -0.3V to +0.3V                     | Storage Temperature Range.....          | -55°C to +125°C |
| All Other Pins Except REG18 and<br>REG25 Relative to V <sub>SS</sub> ..... | -0.3V to (V <sub>DD</sub> + 0.3V)* | Lead Temperature (soldering, 10s) ..... | +300°C          |
| Continuous Power Dissipation (T <sub>A</sub> = +70°C)                      |                                    | Soldering Temperature (reflow) .....    | +260°C          |
| TQFN (derate 35.7mW/°C above +70°C).....                                   | 2857.1mW                           |   |                 |

\*Subject to not exceeding +5.5V.

Stresses beyond those listed under "Absolute Maximum Ratings" may cause permanent damage to the device. These are stress ratings only, and functional operation of the device at these or any other conditions beyond those indicated in the operational sections of the specifications is not implied. Exposure to absolute maximum rating conditions for extended periods may affect device reliability.

## RECOMMENDED OPERATING CONDITIONS

(T<sub>A</sub> = -40°C to +85°C, unless otherwise noted.)

| PARAMETER                                 | SYMBOL              | CONDITIONS                             | MIN                      | TYP | MAX                      | UNITS |
|---|---------------------|--|--------------------------|-----|--------------------------|-------|
| V <sub>DD</sub> Operating Voltage Range   | V <sub>DD</sub>     | (Note 1)                               | 2.7                      |     | 5.5                      | V     |
| Input Logic 1                             | V <sub>IH</sub>     |  | 0.7 x<br>V <sub>DD</sub> |     | V <sub>DD</sub> +<br>0.3 | V     |
| Input Logic 0                             | V <sub>IL</sub>     |  | 0                        |     | 0.3 x<br>V <sub>DD</sub> | V     |
| Input Logic-High: SCL, SDA,<br>MSCL, MSDA | V <sub>I2C_IH</sub> | 2.7V ≤ V <sub>DD</sub> ≤ 3.6V (Note 1) | 2.1                      |     | V <sub>DD</sub> +<br>0.3 | V     |
| Input Logic-Low: SCL, SDA,<br>MSCL, MSDA  | V <sub>I2C_IL</sub> | 2.7V ≤ V <sub>DD</sub> ≤ 3.6V (Note 1) | 0                        |     | +0.8                     | V     |

## DC ELECTRICAL CHARACTERISTICS

(V<sub>DD</sub> = 2.7V to 5.5V, T<sub>A</sub> = -40°C to +85°C, unless otherwise noted. Typical values are at V<sub>DD</sub> = 3.3V, T<sub>A</sub> = +25°C, unless otherwise noted.)

| PARAMETER                                   | SYMBOL                | CONDITIONS  | MIN                      | TYP   | MAX  | UNITS |
|---|-----------------------|---|--------------------------|-------|------|-------|
| Supply Current                              | I <sub>CPU</sub>      | (Note 2)  |                          | 2.5   |      | mA    |
|   | I <sub>PROGRAM</sub>  |   |                          | 8     |      |       |
| Brownout Voltage                            | V <sub>BO</sub>       | Monitors V <sub>DD</sub> (Note 1)                           | 2.40                     | 2.46  | 2.55 | V     |
| Brownout Hysteresis                         | V <sub>BOH</sub>      | Monitors V <sub>DD</sub> (Note 1)                           |                          | 30    |      | mV    |
| Internal System Clock                       | f <sub>MOSC</sub>     |   |                          | 4.0   |      | MHz   |
| System Clock Error (Note 3)                 | f <sub>ERR:MOSC</sub> | +25°C ≤ T <sub>A</sub> ≤ +85°C                              | -3                       |       | +2   | %     |
|   |                       | -40°C ≤ T <sub>A</sub> ≤ +25°C                              | -6.5                     |       | +1.6 |       |
| Output Logic-Low                            | V <sub>OL1</sub>      | I <sub>OL</sub> = 4mA (Note 1)                              |                          |       | 0.4  | V     |
| Output Logic-High                           | V <sub>OH1</sub>      | I <sub>OH</sub> = -2mA (Note 1)                             | V <sub>DD</sub> -<br>0.5 |       |      | V     |
| PWM, PSEN Pullup Current                    | I <sub>PU</sub>       | V <sub>PIN</sub> = V <sub>SS</sub> , V <sub>DD</sub> = 3.3V | 38                       | 55    | 107  | μA    |
| ADC Internal Reference                      |                       |   |                          | 1.225 |      | V     |
| ADC Voltage Measurement Error               | V <sub>ERR</sub>      |   | -1                       |       | +1   | %     |
| ADC Internal Reference<br>Temperature Drift |                       |   | -0.5                     |       | +0.5 | %     |

# PMBus 5-Channel Power-Supply Manager and Intelligent Fan Controller

**MAX34441**

## DC ELECTRICAL CHARACTERISTICS (continued)

(V<sub>DD</sub> = 2.7V to 5.5V, T<sub>A</sub> = -40°C to +85°C, unless otherwise noted. Typical values are at V<sub>DD</sub> = 3.3V, T<sub>A</sub> = +25°C, unless otherwise noted.)

| PARAMETER  | SYMBOL              | CONDITIONS   | MIN    | TYP   | MAX    | UNITS        |
|--|---------------------|--|--------|-------|--------|--------------|
| ADC Internal Reference Initial Accuracy (+25°C)            |                     |  | -1     |       | +1     | mV           |
| ADC Full-Scale Input Voltage                               | V <sub>FS</sub>     |  | 1.213  | 1.225 | 1.237  | V            |
| ADC Measurement Resolution                                 | V <sub>LSB</sub>    |  |        | 300   |        | μV           |
| ADC Bit Resolution   |                     |  | 12     |       |        | Bits         |
| RS+ Input Resistance                                       | R <sub>IN</sub>     |  | 15     |       |        | MΩ           |
| ADC Integral Nonlinearity                                  | INL                 | (Note 4)   |        |       | ±8     | LSB          |
| ADC Offset   | V <sub>OFFSET</sub> |  |        | ±2    |        | LSB          |
| Internal Temperature Measurement Error                     |                     | T <sub>A</sub> = -40°C to +85°C  | -3     |       | +3     | °C           |
| Remote Temperature Measurement Error (MAX34441 Error Only) |                     | T <sub>A</sub> = 0°C to +60°C,<br>T <sub>DIODE</sub> = +60°C to +120°C   | -1.5   |       | +1.5   | °C           |
|  |                     | T <sub>A</sub> = 0°C to +60°C,<br>T <sub>DIODE</sub> = -45°C to +120°C   | -1.75  |       | +1.75  |              |
|  |                     | T <sub>A</sub> = -40°C to +85°C,<br>T <sub>DIODE</sub> = +60°C to +120°C | -2.75  |       | +2.75  |              |
|  |                     | T <sub>A</sub> = -40°C to +85°C,<br>T <sub>DIODE</sub> = -45°C to +120°C | -3.0   |       | +3.0   |              |
| Store Default All Time                                     |                     |  |        | 37    |        | ms           |
| Nonvolatile Log Write Time                                 |                     |  |        | 12    |        | ms           |
| Nonvolatile Log Delete Time                                |                     |  |        | 200   |        | ms           |
| Flash Endurance  | NFLASH              | T <sub>A</sub> = +50°C   | 20,000 |       |        | Write Cycles |
| Data Retention   |                     | T <sub>A</sub> = +50°C   | 100    |       |        | Years        |
| Voltage Sample Rate  |                     |  |        | 5     |        | ms           |
| Current Sample Rate  |                     |  |        | 200   |        | ms           |
| RPM Sample Rate  |                     |  |        | 1000  |        | ms           |
| Temperature Sample Rate                                    |                     |  |        | 1000  |        | ms           |
| Device Startup Time  |                     | Measured from POR until monitoring begins                                |        | 12    |        | ms           |
| PWM Frequency  |                     | Power supply   |        | 62.5  |        | kHz          |
|  |                     | Fan  | 30     |       | 25,000 | Hz           |
| PWM Resolution   |                     | Power supply   |        | 6     |        | Bits         |
|  |                     | Fan  |        | 7     |        |              |

# PMBus 5-Channel Power-Supply Manager and Intelligent Fan Controller

## I<sup>2</sup>C/SMBus INTERFACE ELECTRICAL SPECIFICATIONS

(V<sub>DD</sub> = 2.7V to 5.5V, T<sub>A</sub> = -40°C to +85°C, unless otherwise noted. Typical values are at V<sub>DD</sub> = 3.3V, T<sub>A</sub> = +25°C, unless otherwise noted.)

| PARAMETER                                       | SYMBOL              | CONDITIONS | MIN | TYP | MAX | UNITS |
|---|---------------------|------------|-----|-----|-----|-------|
| SCL Clock Frequency                             | f <sub>SCL</sub>    |            | 10  |     | 100 | kHz   |
| Bus Free Time Between STOP and START Conditions | t <sub>BUF</sub>    |            | 4.7 |     |     | μs    |
| Hold Time (Repeated) START Condition            | t <sub>HD:STA</sub> |            | 4.0 |     |     | μs    |
| Low Period of SCL                               | t <sub>LOW</sub>    |            | 4.7 |     |     | μs    |
| High Period of SCL                              | t <sub>HIGH</sub>   |            | 4.0 |     |     | μs    |
| Data Hold Time                                  | t <sub>HD:DAT</sub> | Receive    | 0   |     |     | ns    |
|   |                     | Transmit   | 300 |     |     |       |
| Data Setup Time                                 | t <sub>SU:DAT</sub> |            | 100 |     |     | ns    |
| START Setup Time                                | t <sub>SU:STA</sub> |            | 4.7 |     |     | μs    |
| SDA and SCL Rise Time                           | t <sub>R</sub>      |            |     |     | 300 | ns    |
| SDA and SCL Fall Time                           | t <sub>F</sub>      |            |     |     | 300 | ns    |
| STOP Setup Time                                 | t <sub>SU:STO</sub> |            | 4.0 |     |     | μs    |
| Clock Low Timeout                               | t <sub>TO</sub>     |            | 25  |     | 35  | ms    |

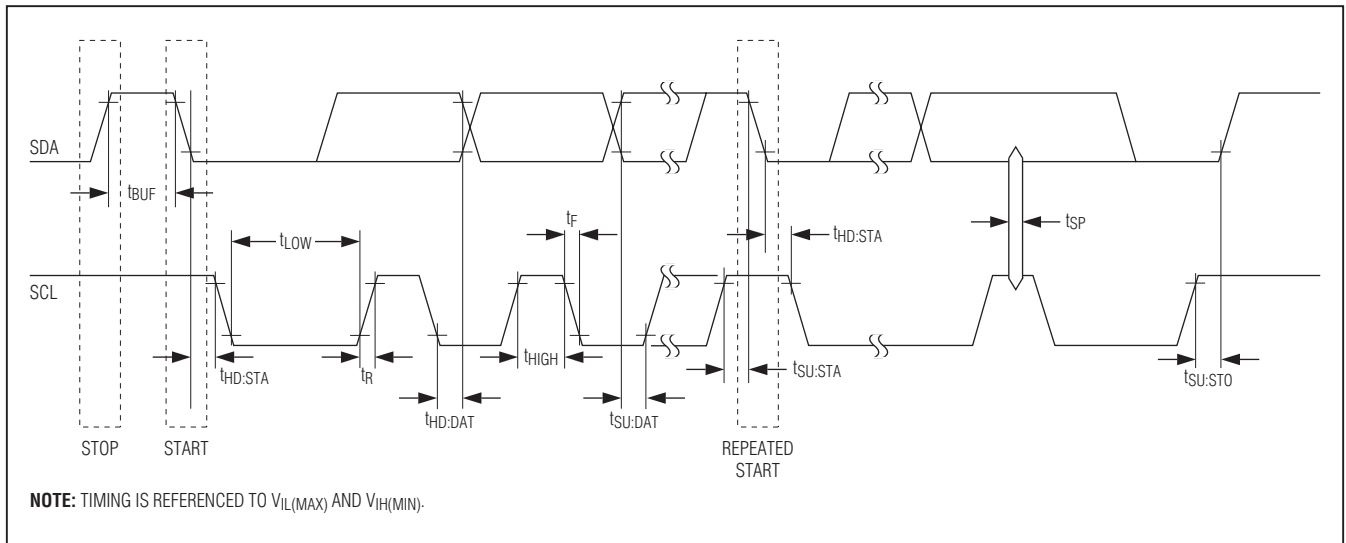
**Note 1:** All voltages are referenced to ground (V<sub>SS</sub>). Currents entering the IC are specified as positive, and currents exiting the IC are negative.

**Note 2:** This does not include pin input/output currents.

**Note 3:** Guaranteed by design.

**Note 4:** ADC has no missing codes.

### I<sup>2</sup>C/SMBus Timing



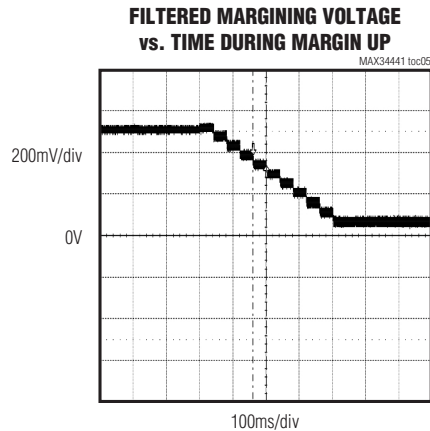
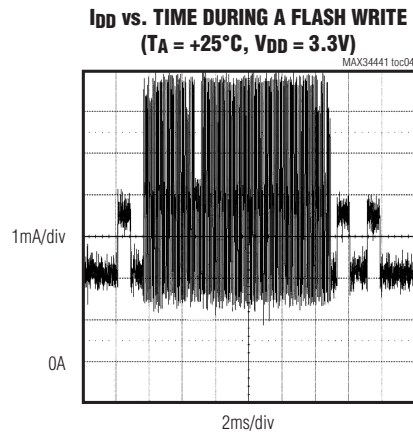
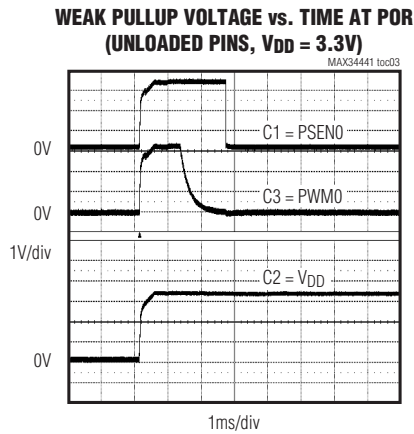
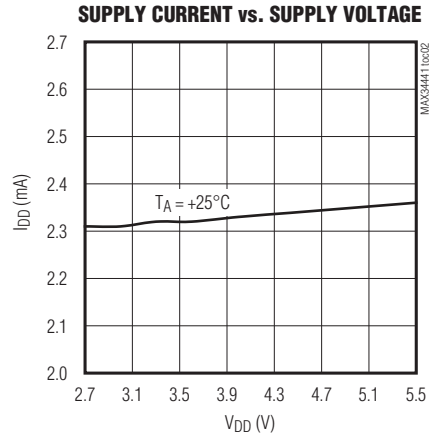
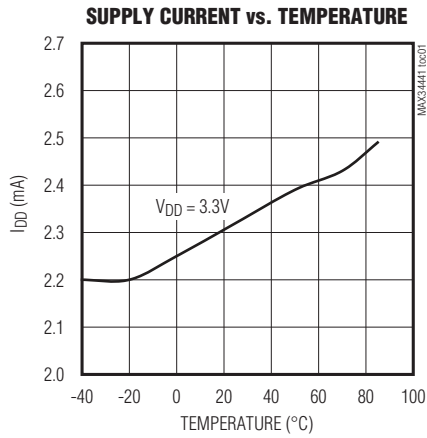


# PMBus 5-Channel Power-Supply Manager and Intelligent Fan Controller

## Typical Operating Characteristics

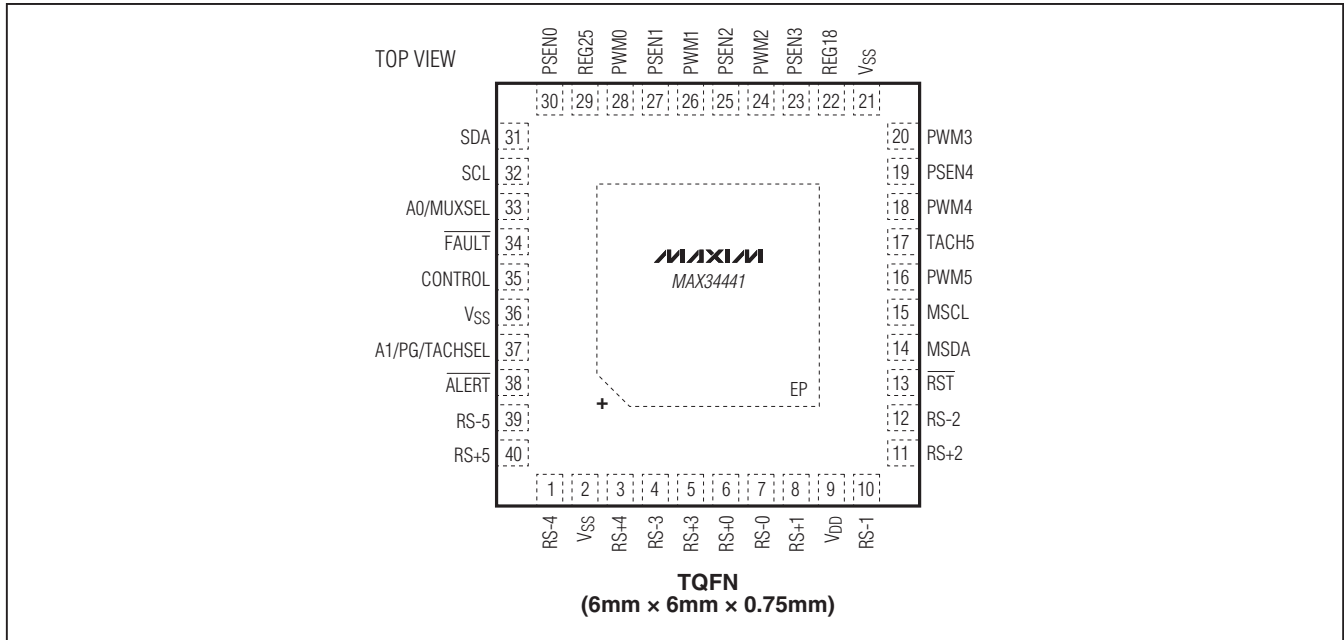
MAX34441

( $T_A = +25^\circ\text{C}$ , unless otherwise noted.)



# PMBus 5-Channel Power-Supply Manager and Intelligent Fan Controller

## Pin Configuration



## Pin Description

| PIN       | NAME  | FUNCTION   |
|-----------|-------|--|
| 1         | RS-4  | Ground Reference for ADC4 Voltage Measurement  |
| 2, 21, 36 | VSS   | Digital-Supply Return Node (Ground)  |
| 3         | RS+4  | Power-Supply ADC Voltage-Sense Input, Measurement Relative to RS-4   |
| 4         | RS-3  | Ground Reference for ADC3 Voltage Measurement  |
| 5         | RS+3  | Power-Supply ADC Voltage-Sense Input, Measurement Relative to RS-3   |
| 6         | RS+0  | Power-Supply ADC Voltage-Sense Input, Measurement Relative to RS-0   |
| 7         | RS-0  | Ground Reference for ADC0 Voltage Measurement  |
| 8         | RS+1  | Power-Supply ADC Voltage-Sense Input, Measurement Relative to RS-1   |
| 9         | VDD   | Supply Voltage. Bypass VDD to VSS with a 0.1µF capacitor.  |
| 10        | RS-1  | Ground Reference for ADC1 Voltage Measurement  |
| 11        | RS+2  | Power-Supply ADC Voltage-Sense Input, Measurement Relative to RS-2   |
| 12        | RS-2  | Ground Reference for ADC2 Voltage Measurement  |
| 13        | RST   | Reset Active-Low Input   |
| 14        | MSDA  | Master I <sup>2</sup> C Data Input/Output. Open-drain output.  |
| 15        | MSCL  | Master I <sup>2</sup> C Clock Output. Open-drain output.   |
| 16        | PWM5  | Fan PWM Output #5. CMOS push-pull output. Low when the fan is disabled. A 100% duty cycle implies this pin is continuously high.           |
| 17        | TACH5 | Fan Tachometer Input   |
| 18        | PWM4  | PWM Margin Output #4. High impedance when the margining is disabled. A 100% duty cycle implies this pin is continuously high.              |
| 19        | PSEN4 | Power-Supply Enable Output #4. Programmable through MFR_MODE for either active high or active low and either open drain or CMOS push-pull. |

# PMBus 5-Channel Power-Supply Manager and Intelligent Fan Controller

## Pin Description (continued)

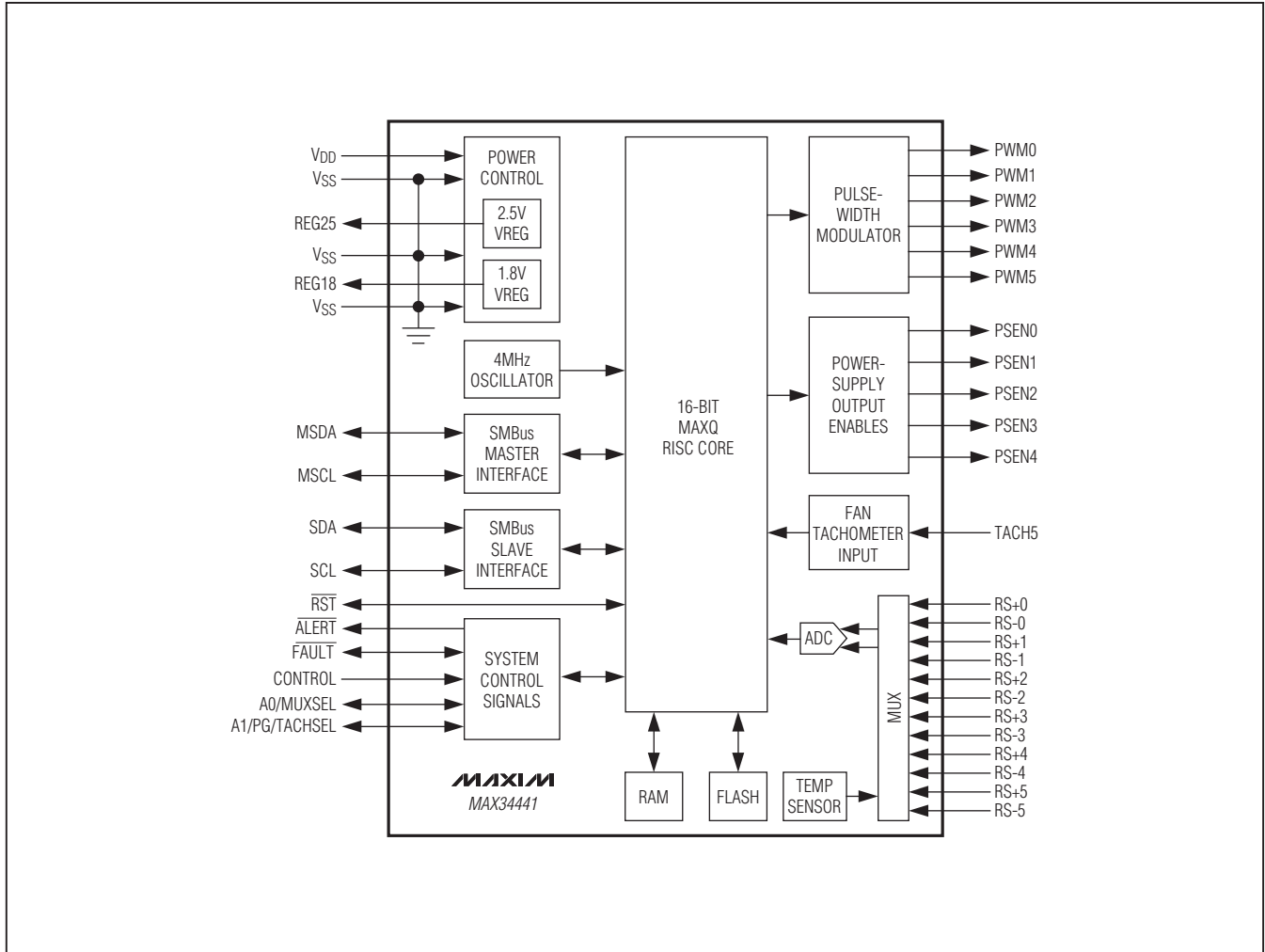
MAX34441

| PIN | NAME                      | FUNCTION   |
|-----|---------------------------|--|
| 20  | PWM3                      | PWM Margin Output #3. High impedance when the margining is disabled. A 100% duty cycle implies this pin is continuously high.  |
| 22  | REG18                     | Regulator for Low-Voltage Digital Circuitry. Bypass REG18 to V <sub>SS</sub> with 1μF and 10nF capacitors. Do not connect other circuitry to this pin.   |
| 23  | PSEN3                     | Power-Supply Enable Output #3. Programmable through MFR_MODE for either active high or active low and either open drain or CMOS push-pull.   |
| 24  | PWM2                      | PWM Margin Output #2. High impedance when the margining is disabled. A 100% duty cycle implies this pin is continuously high.  |
| 25  | PSEN2                     | Power-Supply Enable Output #2. Programmable through MFR_MODE for either active high or active low and either open drain or CMOS push-pull.   |
| 26  | PWM1                      | PWM Margin Output #1. High impedance when the margining is disabled. A 100% duty cycle implies this pin is continuously high.  |
| 27  | PSEN1                     | Power-Supply Enable Output #1. Programmable through MFR_MODE for either active high or active low and either open drain or CMOS push-pull.   |
| 28  | PWM0                      | PWM Margin Output #0. High impedance when the margining is disabled. A 100% duty cycle implies this pin is continuously high.  |
| 29  | REG25                     | Regulator for Analog Circuitry. Bypass REG25 to V <sub>SS</sub> with 1μF and 10nF capacitors. Do not connect other circuitry to this pin.  |
| 30  | PSEN0                     | Power-Supply Enable Output #0. Programmable through MFR_MODE for either active high or active low and either open drain or CMOS push-pull.   |
| 31  | SDA                       | I <sup>2</sup> C/SMBus-Compatible Input/Output   |
| 32  | SCL                       | I <sup>2</sup> C/SMBus-Compatible Clock Input  |
| 33  | A0/MUXSEL                 | SMBus Address 0 Input/Multiplexer Control Output. This dual-function pin is sampled on device power-up to determine the SMBus address; connect a 100kΩ resistor from this pin to either V <sub>SS</sub> or V <sub>DD</sub> to set the address. After device power-up, this pin becomes an output that acts as voltage/current selector for an external analog multiplexer. MUXSEL is low for voltage measurements and high for current measurements.   |
| 34  | $\overline{\text{FAULT}}$ | Active-Low, Open-Drain Fault Input/Output. This pin is asserted when one or more of the power supplies in a global group are shut down due to a fault condition. Also, this pin is monitored and, when it is asserted, all power supplies in a global group are shut down. This pin is used to provide hardware control for power supplies in a global group across multiple devices. This output is unconditionally deasserted when $\overline{\text{RST}}$ is asserted or the device is power cycled. This pin has a 50μs deglitch filter. |
| 35  | CONTROL                   | Device Enable. Option through ON_OFF_CONFIG for active-low or active-high power-supply control. This pin has a 50μs deglitch filter.   |
| 37  | A1/PG/<br>TACHSEL         | SMBus Address 1 Input/Power-Good Output. This triple-function pin is sampled on device power-up to determine the SMBus address; connect a 100kΩ resistor from this pin to either V <sub>SS</sub> or V <sub>DD</sub> to set the address. After device power-up, this pin becomes an output that transitions high when all the enabled power supplies are above their associated POWER_GOOD_ON thresholds. Alternately, this pin can be programmed through MFR_MODE to select between two tachometers in dual-fan applications.                |
| 38  | $\overline{\text{ALERT}}$ | Active-Low, Open-Drain Alert Output  |
| 39  | RS-5                      | Thermal Diode ADC Voltage Negative-Sense Input, Measurement Relative to RS+5   |
| 40  | RS+5                      | Thermal Diode ADC Voltage Positive-Sense Input, Measurement Relative to RS-5   |
| —   | EP                        | Exposed Pad (Bottom Side of Package). Connect EP to V <sub>SS</sub> .  |

**Note:** All pins except V<sub>DD</sub>, V<sub>SS</sub>, REG18, REG25, ADC, and the EP are high impedance with a 50μA pullup during device power-up and reset. After device reset, the weak pullup is removed, and the pin is configured as input or output.

# PMBus 5-Channel Power-Supply Manager and Intelligent Fan Controller

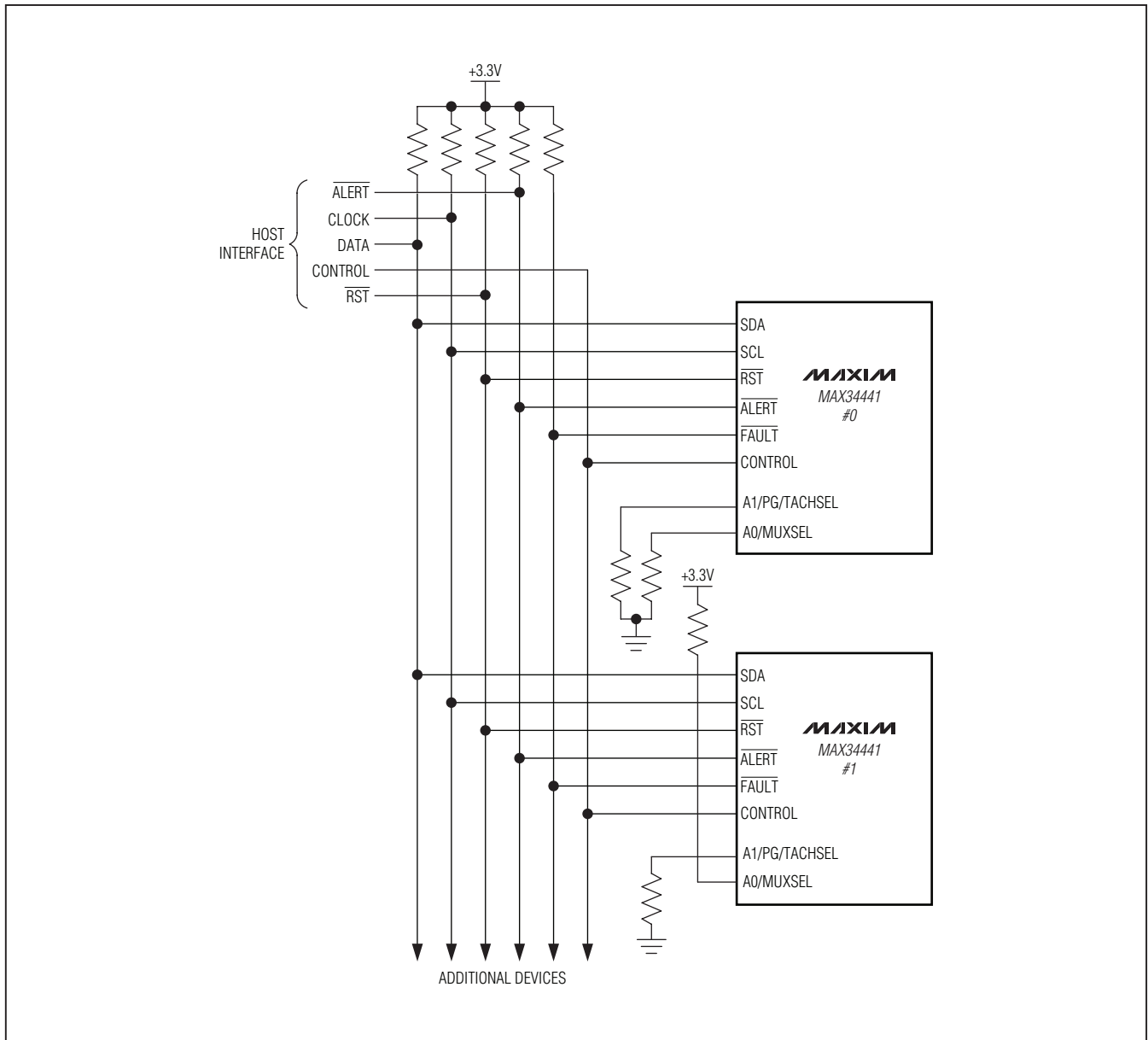
## Block Diagram



# PMBus 5-Channel Power-Supply Manager and Intelligent Fan Controller

## Multiple Device Connection Diagram

MAX34441



# PMBus 5-Channel Power-Supply Manager and Intelligent Fan Controller

## Detailed Description

The MAX34441 is a highly integrated system monitor based upon a 4MHz, 16-bit, MAXQ® microcontroller with factory-programmed functionality to monitor up to five power supplies and a system cooling fan. The device provides power-supply closed-loop control, fan-speed monitoring, and local/remote thermal-sensing facilities.

The power-supply manager monitors the power-supply output voltage and constantly checks for user-programmable overvoltage and undervoltage thresholds. It also can margin the power-supply output voltage up or down by a user-programmable level. The margining is performed in a closed-loop arrangement, whereby the device automatically adjusts a pulse-width-modulated (PWM) output and then measures the resultant output voltage. The power-supply manager can also sequence the supplies in any order at both power-up and power-down. With the addition of an external current-sense amplifier, the device can also monitor currents.

Thermal monitoring can be accomplished using up to six temperature sensors, including an on-chip thermal sensor, four DS75LV digital thermometers, and a remote thermal diode. Temperature offset can be added to individual sensors to compensate for thermal differences in a system. Communication with the DS75LV temperature sensor is conducted through a dedicated I<sup>2</sup>C/SMBus interface.

The device also contains closed-loop fan-speed control. Based on user-programmable settings for fan-control PWM duty cycles or for fan RPM speeds at particular temperature breakpoints, the device automatically adjusts the fan speed in a manner to reduce audible noise and power consumption.

The device provides  $\overline{\text{ALERT}}$  and  $\overline{\text{FAULT}}$  output signals. Host communications are conducted through a PMBus-compatible communications port. Address input connections are also provided to allow up to four MAX34441 devices to reside on the system's I/O bus.

**Table 1. PMBus Command Codes**

| CODE     | COMMAND NAME        | TYPE      | PAGE | PAGE | PAGE | PAGE | NO. OF BYTES | FLASH STORED (NOTE 2) | DEFAULT VALUE (NOTE 2) |
|----------|---------------------|-----------|------|------|------|------|--------------|-----------------------|------------------------|
|          |                     |           | 0-4  | 5    | 6-11 | 255  |              |                       |                        |
| (NOTE 1) |                     |           |      |      |      |      |              |                       |                        |
| 00h      | PAGE                | R/W Byte  | R/W  | R/W  | R/W  | R/W  | 1            | N                     | 00h                    |
| 01h      | OPERATION           | R/W Byte  | R/W  | —    | —    | W    | 1            | N                     | 00h                    |
| 02h      | ON_OFF_CONFIG       | R/W Byte  | R/W  | R/W  | R/W  | R/W  | 1            | Y                     | 1Ah                    |
| 03h      | CLEAR_FAULTS        | Send Byte | W    | W    | W    | W    | 0            | N                     | —                      |
| 10h      | WRITE_PROTECT       | R/W Byte  | R/W  | R/W  | R/W  | R/W  | 1            | N                     | 00h                    |
| 11h      | STORE_DEFAULT_ALL   | Send Byte | W    | W    | W    | W    | 0            | N                     | —                      |
| 12h      | RESTORE_DEFAULT_ALL | Send Byte | W    | W    | W    | W    | 0            | N                     | —                      |
| 19h      | CAPABILITY          | Read Byte | R    | R    | R    | R    | 1            | N                     | 00h/10h                |
| 20h      | VOUT_MODE           | Read Byte | R    | R    | R    | R    | 1            | FIXED                 | 40h                    |
| 25h      | VOUT_MARGIN_HIGH    | R/W Word  | R/W  | —    | —    | —    | 2            | Y                     | 0000h                  |
| 26h      | VOUT_MARGIN_LOW     | R/W Word  | R/W  | —    | —    | —    | 2            | Y                     | 0000h                  |
| 2Ah      | VOUT_SCALE_MONITOR  | R/W Word  | R/W  | —    | —    | —    | 2            | Y                     | 7FFFh                  |
| 38h      | IOUT_CAL_GAIN       | R/W Word  | R/W  | —    | —    | —    | 2            | Y                     | 0000h                  |
| 3Ah      | FAN_CONFIG_1_2      | R/W Byte  | —    | R/W  | —    | —    | 1            | Y                     | 00h                    |
| 3Bh      | FAN_COMMAND_1       | R/W Word  | —    | R/W  | —    | —    | 2            | Y                     | FFFFh                  |
| 40h      | VOUT_OV_FAULT_LIMIT | R/W Word  | R/W  | —    | —    | —    | 2            | Y                     | 7FFFh                  |
| 42h      | VOUT_OV_WARN_LIMIT  | R/W Word  | R/W  | —    | —    | —    | 2            | Y                     | 7FFFh                  |
| 43h      | VOUT_UV_WARN_LIMIT  | R/W Word  | R/W  | —    | —    | —    | 2            | Y                     | 0000h                  |
| 44h      | VOUT_UV_FAULT_LIMIT | R/W Word  | R/W  | —    | —    | —    | 2            | Y                     | 0000h                  |
| 46h      | IOUT_OC_WARN_LIMIT  | R/W Word  | R/W  | —    | —    | —    | 2            | Y                     | 7FFFh                  |
| 4Ah      | IOUT_OC_FAULT_LIMIT | R/W Word  | R/W  | —    | —    | —    | 2            | Y                     | 0000h                  |
| 4Fh      | OT_FAULT_LIMIT      | R/W Word  | —    | —    | R/W  | —    | 2            | Y                     | 7FFFh                  |

MAXQ is a registered trademark of Maxim Integrated Products, Inc.

# PMBus 5-Channel Power-Supply Manager and Intelligent Fan Controller

MAX34441

**Table 1. PMBus Command Codes (continued)**

| CODE | COMMAND NAME           | TYPE       | PAGE     | PAGE | PAGE | PAGE | NO. OF BYTES | FLASH STORED (NOTE 2) | DEFAULT VALUE (NOTE 2) |  |
|------|------------------------|------------|----------|------|------|------|--------------|-----------------------|------------------------|--|
|      |                        |            | 0–4      | 5    | 6–11 | 255  |              |                       |                        |  |
|      |                        |            | (NOTE 1) |      |      |      |              |                       |                        |  |
| 51h  | OT_WARN_LIMIT          | R/W Word   | —        | —    | R/W  | —    | 2            | Y                     | 7FFFh                  |  |
| 5Eh  | POWER_GOOD_ON          | R/W Word   | R/W      | —    | —    | —    | 2            | Y                     | 0000h                  |  |
| 5Fh  | POWER_GOOD_OFF         | R/W Word   | R/W      | —    | —    | —    | 2            | Y                     | 0000h                  |  |
| 60h  | TON_DELAY              | R/W Word   | R/W      | —    | —    | —    | 2            | Y                     | 0000h                  |  |
| 62h  | TON_MAX_FAULT_LIMIT    | R/W Word   | R/W      | —    | —    | —    | 2            | Y                     | 0000h                  |  |
| 64h  | TOFF_DELAY             | R/W Word   | R/W      | —    | —    | —    | 2            | Y                     | 0000h                  |  |
| 78h  | STATUS_BYTE            | Read Byte  | R        | R    | R    | R    | 1            | N                     | 00h                    |  |
| 79h  | STATUS_WORD            | Read Word  | R        | R    | R    | R    | 2            | N                     | 0000h                  |  |
| 7Ah  | STATUS_VOUT            | Read Byte  | R        | —    | —    | —    | 1            | N                     | 00h                    |  |
| 7Eh  | STATUS_CML             | Read Byte  | R        | R    | R    | R    | 1            | N                     | 00h                    |  |
| 80h  | STATUS_MFR_SPECIFIC    | Read Byte  | R        | —    | R    | —    | 1            | N                     | 00h                    |  |
| 81h  | STATUS_FANS_1_2        | Read Byte  | —        | R    | —    | —    | 1            | N                     | 00h                    |  |
| 8Bh  | READ_VOUT              | Read Word  | R        | —    | —    | —    | 2            | N                     | 0000h                  |  |
| 8Ch  | READ_IOUT              | Read Word  | R        | —    | —    | —    | 2            | N                     | 0000h                  |  |
| 8Dh  | READ_TEMPERATURE_1     | Read Word  | —        | —    | R    | —    | 2            | N                     | 0000h                  |  |
| 90h  | READ_FAN_SPEED_1       | Read Word  | —        | R    | —    | —    | 2            | N                     | 0000h                  |  |
| 98h  | PMBUS_REVISION         | Read Byte  | R        | R    | R    | R    | 1            | FIXED                 | 11h                    |  |
| 99h  | MFR_ID                 | Read Byte  | R        | R    | R    | R    | 1            | FIXED                 | 4Dh                    |  |
| 9Ah  | MFR_MODEL              | Read Byte  | R        | R    | R    | R    | 1            | FIXED                 | 52h                    |  |
| 9Bh  | MFR_REVISION           | Read Word  | R        | R    | R    | R    | 2            | FIXED                 | 3031h                  |  |
| 9Ch  | MFR_LOCATION           | Block R/W  | R/W      | R/W  | R/W  | R/W  | 8            | Y                     | (Note 3)               |  |
| 9Dh  | MFR_DATE               | Block R/W  | R/W      | R/W  | R/W  | R/W  | 8            | Y                     | (Note 3)               |  |
| 9Eh  | MFR_SERIAL             | Block R/W  | R/W      | R/W  | R/W  | R/W  | 8            | Y                     | (Note 3)               |  |
| D1h  | MFR_MODE               | R/W Word   | R/W      | R/W  | R/W  | R/W  | 2            | Y                     | 0000h                  |  |
| D4h  | MFR_VOUT_PEAK          | R/W Word   | R/W      | —    | —    | —    | 2            | N                     | 0000h                  |  |
| D5h  | MFR_IOUT_PEAK          | R/W Word   | R/W      | —    | —    | —    | 2            | N                     | 0000h                  |  |
| D6h  | MFR_TEMPERATURE_PEAK   | R/W Word   | —        | —    | R/W  | —    | 2            | N                     | 8000h                  |  |
| D7h  | MFR_VOUT_MIN           | R/W Word   | R/W      | —    | —    | —    | 2            | N                     | 7FFFh                  |  |
| D9h  | MFR_FAULT_RESPONSE     | R/W Word   | R/W      | —    | —    | —    | 2            | Y                     | 0000h                  |  |
| DAh  | MFR_FAULT_RETRY        | R/W Word   | R/W      | R/W  | R/W  | R/W  | 2            | Y                     | 0000h                  |  |
| DCh  | MFR_NV_FAULT_LOG       | Block Read | R        | R    | R    | R    | 255          | Y                     | (Note 4)               |  |
| DDh  | MFR_TIME_COUNT         | Block Read | R        | R    | R    | R    | 4            | N                     | (Note 5)               |  |
| E0h  | MFR_MARGIN_CONFIG      | R/W Word   | R/W      | —    | —    | —    | 2            | Y                     | 0000h                  |  |
| F0h  | MFR_TEMP_SENSOR_CONFIG | R/W Word   | —        | —    | R/W  | —    | 2            | Y                     | 0000h                  |  |
| F1h  | MFR_FAN_CONFIG         | R/W Word   | —        | R/W  | —    | —    | 2            | Y                     | 0000h                  |  |
| F2h  | MFR_FAN_LUT            | Block R/W  | —        | R/W  | —    | —    | 32           | Y                     | (Note 6)               |  |
| F3h  | MFR_READ_FAN_PWM       | Read Word  | —        | R    | —    | —    | 2            | N                     | 0000h                  |  |
| F5h  | MFR_FAN_FAULT_LIMIT    | R/W Word   | —        | R/W  | —    | —    | 2            | Y                     | 0000h                  |  |
| F6h  | MFR_FAN_WARN_LIMIT     | R/W Word   | —        | R/W  | —    | —    | 2            | Y                     | 0000h                  |  |

**Note 1:** Common commands are shaded. Access through any page results in the same device response.

**Note 2:** In the **Flash Stored** column, an “N” indicates that this parameter is not stored in flash memory when the STORE\_DEFAULT\_ALL command is executed and the value shown in the **Default Value** column is automatically loaded upon power-on reset or when the RST pin is asserted. A “Y” in the **Flash Stored** column indicates that the currently loaded value in this parameter is stored in flash memory when the STORE\_DEFAULT\_ALL command is executed and is automatically

# PMBus 5-Channel Power-Supply Manager and Intelligent Fan Controller

**Table 1. PMBus Command Codes (continued)**

loaded upon power-on reset or when the  $\overline{RST}$  pin is asserted and the value shown in the **Default Value** column is the value when shipped from the factory. "FIXED" in the **Flash Stored** column means this value is fixed at the factory and cannot be changed.

**Note 3:** The factory-set default value for this 8-byte block is 3130313031303130h.

**Note 4:** The factory-set default value for the complete block of the MFR\_NV\_FAULT\_LOG is FFh.

**Note 5:** The power-on reset value for this 4-byte block is 00000000h.

**Note 6:** The factory-set default value for the complete block of the MFR\_FAN\_LUT is 00h.

**Table 2. PMBus/SMBus Serial-Port Address**

| A1           | A0           | 7-BIT SLAVE ADDRESS |
|--------------|--------------|---------------------|
| 100kΩ to VSS | 100kΩ to VSS | 1101 010 (D4h)      |
|              | 100kΩ to VDD | 1101 011 (D6h)      |
| 100kΩ to VDD | 100kΩ to VSS | 1101 100 (D8h)      |
|              | 100kΩ to VDD | 1101 101 (DAh)      |

**Address Select**

On device power-up, the device samples the A0 and A1 pins to determine the PMBus/SMBus serial-port address.

**SMBus/PMBus Operation**

The device implements the PMBus command structure using the SMBus format. The structure of the data flow between the host and the slave is shown below for several different types of transactions. All transactions begin with a host sending a command code that is immediately preceded with a 7-bit slave address ( $R/\overline{W} = 0$ ). Data is sent most significant bit (MSB) first.

**SMBus/PMBus Communication Examples**

| READ WORD FORMAT |               |   |   |              |   |    |               |   |   |               |   |                |    |   |
|------------------|---------------|---|---|--------------|---|----|---------------|---|---|---------------|---|----------------|----|---|
| 1                | 7             | 1 | 1 | 8            | 1 | 1  | 7             | 1 | 1 | 8             | 1 | 8              | 1  | 1 |
| S                | SLAVE ADDRESS | W | A | COMMAND CODE | A | Sr | SLAVE ADDRESS | R | A | DATA BYTE LOW | A | DATA BYTE HIGH | NA | P |

| READ BYTE FORMAT |               |   |   |              |   |    |               |   |   |           |    |   |   |   |
|------------------|---------------|---|---|--------------|---|----|---------------|---|---|-----------|----|---|---|---|
| 1                | 7             | 1 | 1 | 8            | 1 | 1  | 7             | 1 | 1 | 8         | 1  | 1 | 1 | 1 |
| S                | SLAVE ADDRESS | W | A | COMMAND CODE | A | Sr | SLAVE ADDRESS | R | A | DATA BYTE | NA | P | 1 | 1 |

| WRITE WORD FORMAT |               |   |   |              |   |               |   |                |   |   |   |
|-------------------|---------------|---|---|--------------|---|---------------|---|----------------|---|---|---|
| 1                 | 7             | 1 | 1 | 8            | 1 | 8             | 1 | 8              | 1 | 1 | 1 |
| S                 | SLAVE ADDRESS | W | A | COMMAND CODE | A | DATA BYTE LOW | A | DATA BYTE HIGH | A | P | 1 |

| WRITE BYTE FORMAT |               |   |   |              |   |           |   |   |   |   |   |
|-------------------|---------------|---|---|--------------|---|-----------|---|---|---|---|---|
| 1                 | 7             | 1 | 1 | 8            | 1 | 8         | 1 | 1 | 1 | 1 | 1 |
| S                 | SLAVE ADDRESS | W | A | COMMAND CODE | A | DATA BYTE | A | P | 1 | 1 | 1 |

| SEND BYTE FORMAT |               |   |   |              |   |   |   |   |   |   |   |
|------------------|---------------|---|---|--------------|---|---|---|---|---|---|---|
| 1                | 7             | 1 | 1 | 8            | 1 | 1 | 1 | 1 | 1 | 1 | 1 |
| S                | SLAVE ADDRESS | W | A | COMMAND CODE | A | P | 1 | 1 | 1 | 1 | 1 |

**KEY:**  
 S = START  
 Sr = REPEATED START  
 P = STOP  
 W = WRITE BIT (0)  
 R = READ BIT (1)  
 A = ACKNOWLEDGE (0)  
 NA = NOT ACKNOWLEDGE (1)  
 SHADED BLOCK = SLAVE TRANSACTION



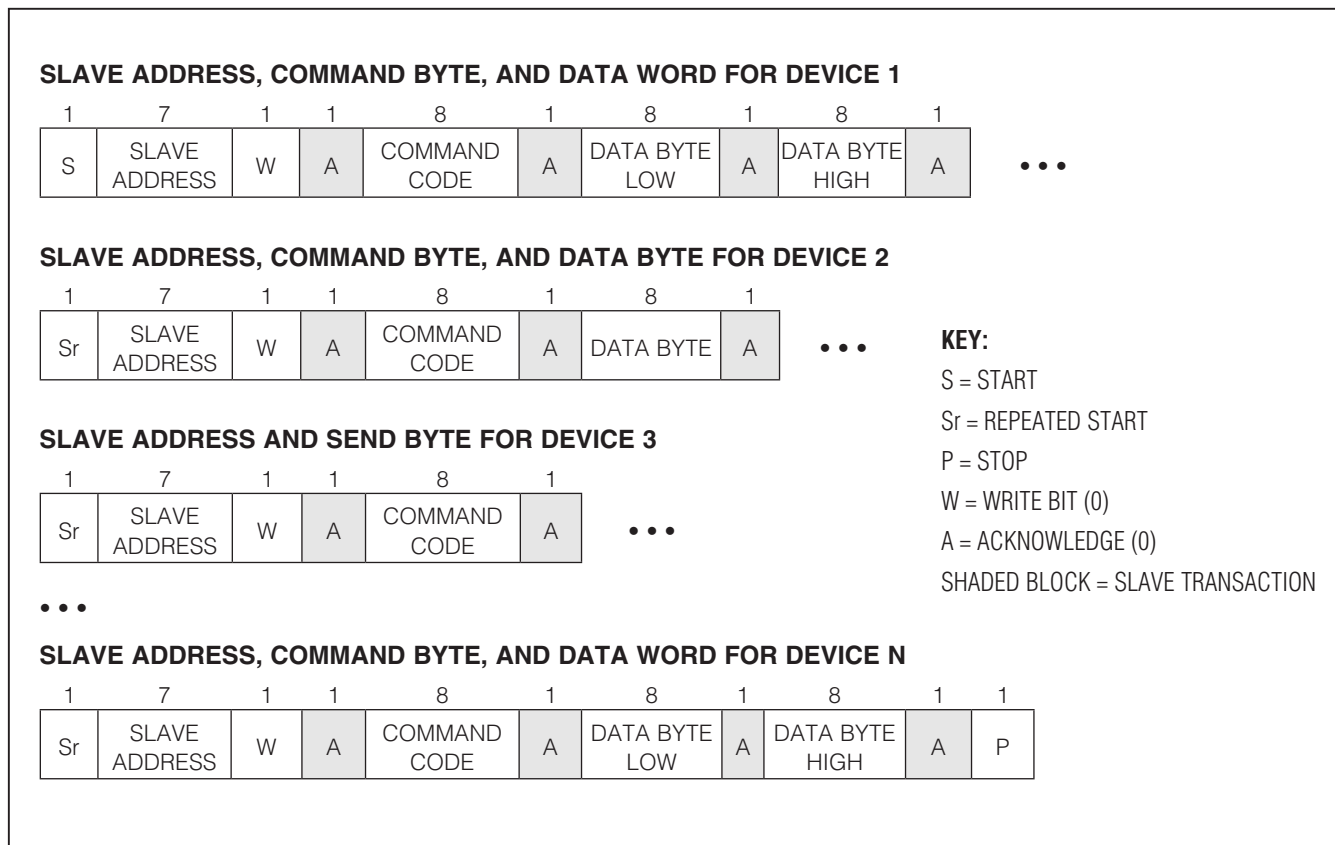
# PMBus 5-Channel Power-Supply Manager and Intelligent Fan Controller

## Group Command

The device supports the group command. With the group command, a host can write different data to multiple devices on the same serial bus with one long

continuous data stream. All the devices addressed during this transaction wait for the host to issue a STOP before beginning to respond to the command.

### Group Command Write Format



## Addressing

The device responds to receiving its fixed slave address by asserting an acknowledge (ACK) on the bus. The device does not respond to a general call address; it only responds when it receives its fixed slave address. The only exception to this operation is if the  $\overline{\text{ALERT}}$  output is enabled (ALERT bit = 1 in MFR\_MODE) and  $\overline{\text{ALERT}}$  has been asserted. When this condition occurs, the device only recognizes the alert response address (0001 100, 18h). See the *ALERT and Alert Response Address (ARA)* section for more details.

### **ALERT and Alert Response Address (ARA)**

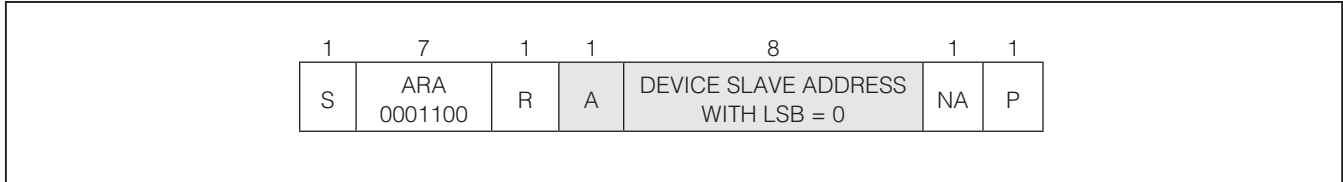
If the  $\overline{\text{ALERT}}$  output is enabled (ALERT bit = 1 in MFR\_MODE), when a fault occurs the device asserts the  $\overline{\text{ALERT}}$  signal and then waits for the host to send the alert

response address (ARA) as shown in the *Alert Response Address (ARA) Byte Format* section. **While waiting for the ARA, the device does not respond to its fixed slave address.**

When the ARA is received and the device is asserting  $\overline{\text{ALERT}}$ , the device ACKs it and then attempts to place its fixed slave address on the bus by arbitrating the bus, since another device could also try to respond to the ARA. The rules of arbitration state that the lowest address device wins. If the device wins the arbitration, it deasserts  $\overline{\text{ALERT}}$  and begins to respond to its fixed slave address. If the device loses arbitration, it keeps  $\overline{\text{ALERT}}$  asserted and waits for the host to once again send the ARA.

# PMBus 5-Channel Power-Supply Manager and Intelligent Fan Controller

## Alert Response Address (ARA) Byte Format



### Host Sends or Reads Too Few Bits

If for any reason the host does not complete writing a full byte or reading a full byte from the device before a START or STOP is received, the device does the following:

- 1) Ignores the command.
- 2) Sets the CML bit in STATUS\_BYTE.
- 3) Sets the CML bit in STATUS\_WORD.
- 4) Sets the DATA\_FAULT bit in STATUS\_CML.
- 5) Notifies the host through  $\overline{\text{ALERT}}$  assertion (if enabled).

### Host Sends or Reads Too Few Bytes

For each supported command, the device expects a fixed number of bytes to be written or read from the device. If for any reason fewer than the expected number of bytes is written to or read from the device, the device completely ignores the command and takes no action.

### Host Sends Too Many Bytes or Bits

For each supported command, the device expects a fixed number of bytes to be written to the device. If for any reason more than the expected number of bytes or bits is written to the device, the device does the following:

- 1) Ignores the command.
- 2) Sets the CML bit in STATUS\_BYTE.
- 3) Sets the CML bit in STATUS\_WORD.
- 4) Sets the DATA\_FAULT bit in STATUS\_CML.
- 5) Notifies the host through  $\overline{\text{ALERT}}$  assertion (if enabled).

### Host Reads Too Many Bytes or Bits

For each supported command, the device expects a fixed number of bytes to be read from the device. If for any reason more than the expected number of bytes or bits is read from the device, the device does the following:

- 1) Sends all ones (FFh) as long as the host keeps acknowledging.
- 2) Sets the CML bit in STATUS\_BYTE.
- 3) Sets the CML bit in STATUS\_WORD.
- 4) Sets the DATA\_FAULT bit in STATUS\_CML.
- 5) Notifies the host through  $\overline{\text{ALERT}}$  assertion (if enabled).

### Host Sends Improperly Set Read Bit in the Slave Address Byte

If the device receives the R/W bit in the slave address set to one immediately preceding the command code, the device does the following (note this does not apply to ARA):

- 1) ACKs the address byte.
- 2) Sends all ones (FFh) as long as the host keeps acknowledging.
- 3) Sets the CML bit in STATUS\_BYTE.
- 4) Sets the CML bit in STATUS\_WORD.
- 5) Sets the DATA\_FAULT bit in STATUS\_CML.
- 6) Notifies the host through  $\overline{\text{ALERT}}$  assertion (if enabled).

### Unsupported Command Code Received

If the host sends the device a command code that it does not support, or if the host sends a command code that is not supported by the current PAGE setting, the device does the following:

- 1) Ignores the command.
- 2) Sets the CML bit in STATUS\_BYTE.
- 3) Sets the CML bit in STATUS\_WORD.
- 4) Sets the COMM\_FAULT bit in STATUS\_CML.
- 5) Notifies the host through  $\overline{\text{ALERT}}$  assertion (if enabled).

### Invalid Data Received

The device checks the PAGE, OPERATION, and WRITE\_PROTECT command codes for valid data. If the host writes a data value that is invalid, the device does the following:

- 1) Ignores the command.
- 2) Sets the CML bit in STATUS\_BYTE.
- 3) Sets the CML bit in STATUS\_WORD.
- 4) Sets the DATA\_FAULT bit in STATUS\_CML.
- 5) Notifies the host through  $\overline{\text{ALERT}}$  assertion (if enabled).

# PMBus 5-Channel Power-Supply Manager and Intelligent Fan Controller

## Host Reads from a Write-Only Command

When a read request is issued to a write-only command (CLEAR\_FAULTS, STORE\_DEFAULT\_ALL, RESTORE\_DEFAULT\_ALL), the device does the following:

- 1) ACKs the address byte.
- 2) Ignores the command.
- 3) Sends all ones (FFh) as long as the host keeps acknowledging.
- 4) Sets the CML bit in STATUS\_BYTE.
- 5) Sets the CML bit in STATUS\_WORD.
- 6) Sets the DATA\_FAULT bit in STATUS\_CML.
- 7) Notifies the host through  $\overline{\text{ALERT}}$  assertion (if enabled).

## Host Writes to a Read-Only Command

When a write request is issued to a read-only command, the device does the following:

- 1) Ignores the command.
- 2) Sets the CML bit in STATUS\_BYTE.
- 3) Sets the CML bit in STATUS\_WORD.
- 4) Sets the COMM\_FAULT bit in STATUS\_CML.
- 5) Notifies the host through  $\overline{\text{ALERT}}$  assertion (if enabled).

## SMBus Timeout

If during an active SMBus communication sequence the SCL signal is held low for greater than the timeout duration (nominally 30ms), the device terminates the sequence and resets the serial bus. It takes no other action. No status bits are set.

## PMBus Operation

From a software perspective, the device appears as a PMBus device capable of executing a subset of PMBus commands. A PMBus 1.1-compliant device uses the SMBus version 1.1 for transport protocol and responds to the SMBus slave address. In this data sheet, the term SMBus is used to refer to the electrical characteristics of the PMBus communication using the SMBus physical layer. The term PMBus is used to refer to the PMBus command protocol. The device employs a number of standard SMBus protocols such as Write Word, Read Word, Write Byte, Read Byte, Send Byte, and so on to program output voltage and warning/faults thresholds, read monitored data, and provide access to all manufacturer-specific commands.

The device supports the group command. The group command is used to send commands to more than one PMBus device. It is not required that all the devices receive the same command. However, no more than one command can be sent to any one device in one group command packet. The group command must not be used with commands that require receiving devices to respond with data, such as the STATUS\_BYTE command. When the device receives a command through this protocol, it immediately begins execution of the received command after detecting the STOP condition.

The device supports the PAGE command and uses it to select which individual channel to access. When a data word is transmitted, the lower order byte is sent first and the higher order byte is sent last. Within any byte, the most significant bit (MSB) is sent first and the least significant bit (LSB) is sent last.

## PMBus Protocol Support

The device supports a subset of the commands defined in the *PMBus™ Power System Management Protocol Specification Part II - Command Language, Revision 1.1*. For detailed specifications and the complete list of PMBus commands, refer to Part II of the PMBus specification available at [www.PMBus.org](http://www.PMBus.org). The supported PMBus commands and the corresponding device behavior are described in this document. All data values are represented in DIRECT format, unless otherwise stated. Whenever the PMBus specification refers to the PMBus device, it is referring to the MAX34441 operating in conjunction with a power supply or fan. While the command can call for turning on or turning off the PMBus device, the MAX34441 always remains on to continue communicating with the PMBus master, and the MAX34441 transfers the command to the power supply accordingly.

## Data Format

Voltage data for commanding or reading the output voltage or related parameters (such as the overvoltage threshold) is presented in DIRECT format. DIRECT format data is a 2-byte, two's complement binary value. DIRECT format data can be used with any command that sends or reads a parametric value. The DIRECT format uses an equation and defined coefficients to calculate the desired values. Table 3 shows the coefficients used by the device.

# PMBus 5-Channel Power-Supply Manager and Intelligent Fan Controller

**Table 3. PMBus Command Code Coefficients**

| PARAMETER       | COMMANDS   | UNITS | RESOLUTION | MAX    | m      | b | R |
|-----------------|--|-------|------------|--------|--------|---|---|
| Voltage         | VOUT_MARGIN_HIGH<br>VOUT_MARGIN_LOW<br>VOUT_OV_FAULT_LIMIT<br>VOUT_OV_WARN_LIMIT<br>VOUT_UV_WARN_LIMIT<br>VOUT_UV_FAULT_LIMIT<br>POWER_GOOD_ON<br>POWER_GOOD_OFF<br>READ_VOUT<br>MFR_VOUT_PEAK<br>MFR_VOUT_MIN | mV    | 1          | 32,767 | 1      | 0 | 0 |
| Voltage Scaling | VOUT_SCALE_MONITOR   | —     | 1/32,767   | 1      | 32,767 | 0 | 0 |
| Current         | IOUT_OC_WARN_LIMIT<br>IOUT_OC_FAULT_LIMIT<br>READ_IOUT<br>MFR_IOUT_PEAK  | mA    | 1          | 32,767 | 1      | 0 | 0 |
| Current Scaling | IOUT_CAL_GAIN  | mΩ    | 0.1        | 3276.7 | 1      | 0 | 1 |
| Temperature     | OT_FAULT_LIMIT<br>OT_WARN_LIMIT<br>READ_TEMPERATURE_1<br>MFR_TEMPERATURE_PEAK  | °C    | 0.01       | 327.67 | 1      | 0 | 2 |
| Fan Speed       | READ_FAN_SPEED_1<br>FAN_COMMAND_1<br>MFR_FAN_FAULT_LIMIT<br>MFR_FAN_WARN_LIMIT   | RPM   | 1          | 32,767 | 1      | 0 | 0 |
|                 | FAN_COMMAND_1<br>MFR_READ_FAN_PWM<br>MFR_FAN_FAULT_LIMIT<br>MFR_FAN_WARN_LIMIT   | %     | 0.01       | 327.67 | 1      | 0 | 2 |
| Timing          | TON_DELAY<br>TON_MAX_FAULT_LIMIT<br>TOFF_DELAY<br>MFR_FAULT_RETRY  | ms    | 1          | 32,767 | 1      | 0 | 0 |

### Interpreting Received DIRECT Format Values

The host system uses the following equation to convert the value received from the PMBus device—in this case, the MAX34441—into a reading of volts, degrees Celsius, or other units as appropriate:

$$X = (1/m) \times (Y \times 10^{-R} - b)$$

where X is the calculated, real world value in the appropriate units (V, °C, etc.); m is the slope coefficient; Y is the 2-byte, two's complement integer received from the PMBus device; b is the offset; and R is the exponent.

### Sending a DIRECT Format Value

To send a value, the host must use the below equation to solve for Y:

$$Y = (mX + b) \times 10^R$$

where Y is the 2-byte, two's complement integer to be sent to the unit; m is the slope coefficient; X is the real world value, in units such as volts, to be converted for transmission; b is the offset; and R is the exponent.

# PMBus 5-Channel Power-Supply Manager and Intelligent Fan Controller

The following example demonstrates how the host can send and retrieve values from the device. Table 4 shows the coefficients used in the following parameters.

**Table 4. Coefficients for DIRECT Format Value**

| COMMAND CODE | COMMAND NAME     | m | b | R |
|--------------|------------------|---|---|---|
| 25h          | VOUT_MARGIN_HIGH | 1 | 0 | 0 |
| 8Bh          | READ_VOUT        | 1 | 0 | 0 |

If a host wants to set the device to change the power-supply output voltage to 3.465V (or 3465mV), the corresponding VOUT\_MARGIN\_HIGH value is:

$$Y = (1 \times 3465 + 0) \times 10^0 = 3465 \text{ (decimal)} = 0D89\text{h (hex)}$$

Conversely, if the host received a value of 0D89h on a READ\_VOUT command, this is equivalent to:

$$X = (1/1) \times (0D89\text{h} \times 10^{-(-0)} - 0) = 3465\text{mV} = 3.465\text{V}$$

Power supplies and power converters generally have no way of knowing how their outputs are connected to ground. Within the power supply, all output voltages are most commonly treated as positive. Accordingly, all output voltages and output voltage-related parameters of PMBus devices are commanded and reported as positive values. It is up to the system to know that a particular output is negative if that is of interest to the system. All output-voltage-related commands use 2 data bytes.

## Fault Management and Reporting

For reporting faults/warnings to the host on a real-time basis, the device asserts the open-drain  $\overline{\text{ALERT}}$  pin (if enabled in MFR\_MODE) and sets the appropriate bit in the various status registers. On recognition of the  $\overline{\text{ALERT}}$  assertion, the host or system manager is expected to poll the I<sup>2</sup>C bus to determine the device asserting  $\overline{\text{ALERT}}$ .

**Table 5. Device Parametric Monitoring States**

| PARAMETER       | REQUIRED CONDITIONS FOR ACTIVE MONITORING  | ACTION DURING A FAULT                         |
|-----------------|--|---|
| Overvoltage     | Power supply enabled (TON_MAX_FAULT_LIMIT $\neq$ 0000h)  | Continue monitoring                           |
| Undervoltage    | <ul style="list-style-type: none"> <li>Power supply enabled (TON_MAX_FAULT_LIMIT <math>\neq</math> 0000h)</li> <li>PSEN output is active</li> <li>Channel's VOUT must have exceeded VOUT_UV_FAULT during channel power-up</li> </ul> | Stop monitoring while the power supply is off |
| Overcurrent     | <ul style="list-style-type: none"> <li>Power supply enabled (TON_MAX_FAULT_LIMIT <math>\neq</math> 0000h)</li> <li>Current monitoring enabled (IOUT_OC_FAULT_LIMIT <math>\neq</math> 0000h)</li> </ul>                               | Continue monitoring                           |
| Power-Up Time   | Power supply enabled (TON_MAX_FAULT_LIMIT $\neq$ 0000h)  | Monitor only during power-on                  |
| Overtemperature | Temp sensor enabled (ENABLE in MFR_TEMP_SENSOR_CONFIG = 1)   | Continue monitoring                           |
| Fan Speed       | Fan enabled (bit 7 in FAN_CONFIG_1_2 = 1)  | Continue monitoring                           |

The host sends the SMBus ARA (0001 100). The device ACKs the SMBus ARA, transmits its slave address, and deasserts  $\overline{\text{ALERT}}$ . The system controller then communicates with PMBus commands to retrieve the fault/warning status information from the device.

See the individual command sections for more details. Faults and warnings that are latched in the status registers are cleared when any one of the following conditions occurs:

- A CLEAR\_FAULTS command is received.
- The  $\overline{\text{RST}}$  pin is toggled.
- Bias power to the device is removed and then reapplied.

One or more latched-off power supplies is only restarted when one of the following occurs:

- The output is commanded through the CONTROL pin, the OPERATION command, to turn off and then turn back on.
- The  $\overline{\text{RST}}$  pin is toggled.
- Bias power to the device is removed and then reapplied.

A power supply is not allowed to turn on if any faults the supply responds to are detected. Only after the faults clear is the power supply allowed to turn on. When global supplies are being sequenced on, a fault on any of the supplies keeps all supplies from being turned on.

A system-wide power-up (OPERATION command is received to turn the supplies on when PAGE is 255 or the CONTROL pin is toggled to turn on the supplies) allows all enabled power supplies to power-up. If any faults are detected once the supplies start to turn on, the response of MFR\_FAULT\_RESPONSE is performed.

The device responds to fault conditions according to the manufacturer fault response command (MFR\_FAULT\_RESPONSE). This command byte determines how the device should respond to each

# PMBus 5-Channel Power-Supply Manager and Intelligent Fan Controller

particular fault. Table 5 illustrates the required conditions and fault actions for specific parameters.

## System Watchdog Timer

The device uses an internal watchdog timer that is internally reset every 5ms. In the event that the device is locked up and this watchdog reset does not occur after 500ms, the device automatically resets. After the reset occurs, the device reloads all configuration values that were stored to flash and begins normal operation. After the reset, the device also does the following:

- 1) Sets the NONE OF THE ABOVE bit in STATUS\_BYTE.
- 2) Sets the NONE OF THE ABOVE and MFR bits in STATUS\_WORD.
- 3) Sets the WATCHDOG bit in STATUS\_MFR\_SPECIFIC.
- 4) Notifies the host through  $\overline{\text{ALERT}}$  assertion (if enabled in MFR\_MODE).

## Temperature Sensor Operation

The device can monitor up to six different temperature sensors. It can monitor up to four remote I<sup>2</sup>C-based temperature sensors plus a remote diode and its own internal temperature sensor. Each of the enabled temperature sensors is measured once a second. The remote diode and internal temperature sensors are averaged four times to reduce the affect of noise. Each time the device attempts to read a temperature sensor it checks for faults. For the remote diode, a fault is defined as reading greater than +160°C or less than -60°C. For the internal temperature sensor, a fault is defined as reading greater than +130°C or less than -60°C. For the I<sup>2</sup>C temperature sensors, a fault is defined as a communication access failure. Temperature sensor faults are reported by setting the temperature reading to 7FFFh. A temperature sensor fault results in the setting of the TEMPERATURE bit in STATUS\_BYTE and STATUS\_WORD and  $\overline{\text{ALERT}}$  is asserted (if enabled in MFR\_MODE). No bits are set in STATUS\_MFR\_SPECIFIC.

The temperatures do not have to be used to control the fan speed. They can be enabled and used for temperature monitoring only. Reading disabled temperature sensors returns a fixed value of 0000h.

The remote diode temperature sensor can support either npn or pnp transistors. The device automatically cancels the series resistance that can affect remote diodes that are located far from the device.

The device can control up to four DS75LV digital temperature sensors. The A0, A1, and A2 pins on the DS75LV

**Table 6. DS75LV Address Pin Configurations**

| PAGE | MAX34441 I <sup>2</sup> C TEMP SENSOR | DS75LV ADDRESS PIN CONFIGURATION |    |    |
|------|---------------------------------------|----------------------------------|----|----|
|      |                                       | A2                               | A1 | A0 |
| 7    | TEMP SENSOR I <sup>2</sup> C 0        | 0                                | 0  | 0  |
| 8    | TEMP SENSOR I <sup>2</sup> C 1        | 0                                | 0  | 1  |
| 9    | TEMP SENSOR I <sup>2</sup> C 2        | 0                                | 1  | 0  |
| 10   | TEMP SENSOR I <sup>2</sup> C 3        | 0                                | 1  | 1  |

should be configured as shown in Table 6. The thermostat function on the DS75LV is not used and thus the O.S. output should be left open circuit.

## Fan Control Operation

Fan control has four operational modes. The mode is determined by the combination of FAN\_COMMAND\_1 and bit 6 of FAN\_CONFIG\_1\_2 (see Table 7). Fan control can be disabled by setting bit 7 in FAN\_CONFIG\_1\_2 to zero.

### Dual Fan Applications

In dual fan applications operating in RPM mode, the tachometer selected when TACHSEL = 0 is close-loop-controlled to the target RPM. Once PWM ramping is complete, TACHSEL toggles between the two tachometers every 500ms for monitoring purposes. The slower of the two tachometer signals is reported by READ\_FAN\_SPEED\_1 and is used as a comparison for fan faults and warning. In dual fan applications operating in PWM mode, TACHSEL always switches every 500ms. If one of the two tachometer signals operate at a slower speed, it is recommended that the slower tachometer be presented to the TACH input when TACHSEL = 0.

### Automatic Fan Control Operation

In the automatic mode, the fan is controlled in a closed loop based on the controlling temperature (the highest postnormalized temperature reading) and the associated fan control PWM duty cycle (in %) or fan speed (in RPM). These parameters are assigned in the fan lookup table (LUT). See the MFR\_FAN\_LUT description for configuration details. When a controlling temperature exceeds the temperature level programmed in the LUT, the device outputs a PWM duty cycle or adjusts the fan speed, associated with that temperature. See Figure 1 for an example.

# PMBus 5-Channel Power-Supply Manager and Intelligent Fan Controller

Table 7. Fan Control Operation Modes

| FAN CONTROL MODE | FAN OPERATIONAL DETAILS   | BIT 6 OF FAN_CONFIG_1_2 | VALUE IN FAN_COMMAND_1 |
|------------------|---|-------------------------|------------------------|
| Manual PWM       | External host controls the fan speed by directly setting the fan PWM duty cycle values.   | 0                       | 0000h to 7FFFh         |
| Manual RPM       | External host controls the fan speed by setting target fan speed values. The device reads the actual fan speed, and close loop adjusts the output fan PWM to match the target fan speed.                | 1                       | 0000h to 7FFFh         |
| Automatic PWM    | The device sets the output PWM based on the fan LUT that maps the temperature sensor readings to the required fan PWM duty-cycle values.  | 0                       | 8000h to FFFFh         |
| Automatic RPM    | The device reads the actual fan speed and close loop adjusts the output fan PWM to match the target fan speed based on the fan LUT that maps the temperature sensor readings to the required fan speed. | 1                       | 8000h to FFFFh         |

**Note:** The RPM modes should only be used with fans that provide a tachometer output.

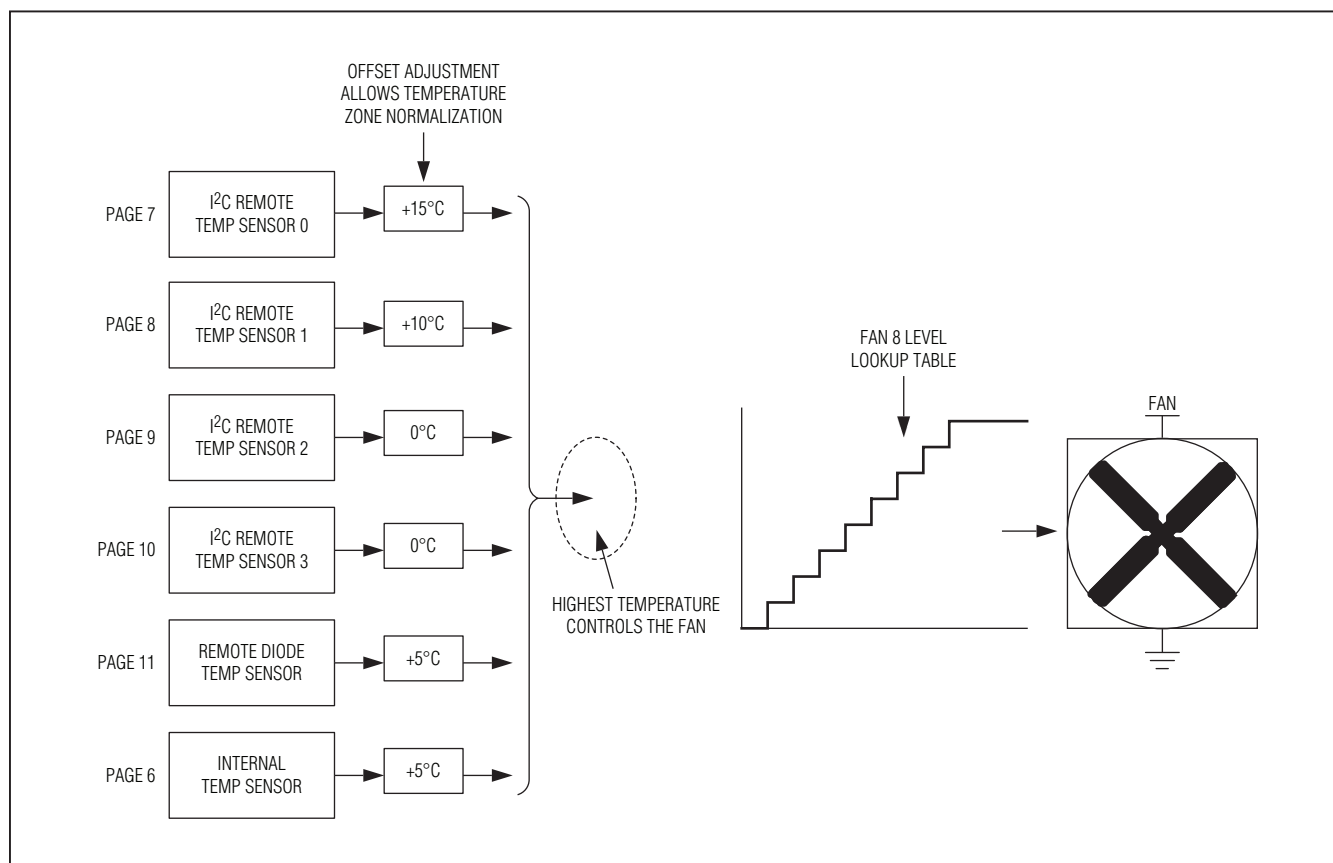


Figure 1. Automatic Fan Control

## PMBus 5-Channel Power-Supply Manager and Intelligent Fan Controller

One or all of the six available temperature sensors can be used to control the fan speed. Each temperature sensor has an offset adjustment that allows monitoring specific temperature zones with different thermal characteristics. In Figure 1, I<sup>2</sup>C temperature sensor 0 is monitoring a zone that is 15°C more sensitive than the zone that the I<sup>2</sup>C temperature sensor 3 is measuring. To keep the audible noise and fan power consumption as low as possible, the device allows each temperature sensor to have a temperature offset added. This allows temperature zones with different thermal profiles to control the fan at the lowest possible speed to maintain the required temperature.

If no temperature sensors are assigned to control the fan, the output fan PWM signal is ramped to 100% duty cycle.

In Figure 2, at temperature sample 1, the required fan speed is at the level associated with temperature level 2 and since temperature sample 1 is above temperature level 3, the fan PWM duty cycle needs to be increased to increase the fan speed. The device increases the fan PWM duty cycle at a rate controlled by the RAMP bits in the MFR\_FAN\_CONFIG command code. If the PWM duty cycle has not reached the target value before the temperature sample detects that a new PWM target value is needed, the device stops moving toward the old target

and starts moving to the new target according to the programmed ramp rate.

At temperature sample 2, the temperature has increased to greater than temperature level 4 so again the PWM duty cycle must be increased. At temperature sample 3, the temperature has dropped but not below the thermal hysteresis level (which is set by the HYS bits in the MFR\_FAN\_CONFIG command code), so the fan speed remains at level 4. At temperature sample 4, the temperature has dropped below the hysteresis point so the PWM duty cycle is decreased.

### Pulse Stretching

In some 3-wire fan applications, when the supply power is interrupted to control fan speed, the tachometer signal is not available. Some fan controllers periodically stretch the PWM signal to allow the tachometer to be accurately detected. Pulse stretching can create audible noise. **This device does not implement pulse stretching.** Hence, the RPM fan modes that require a reliable tachometer signal to be available at all times should not be used in applications that switch power to the fan to control the speed of the fan. For example, low-side switching of a 3-wire fan should not use either of the RPM fan modes.

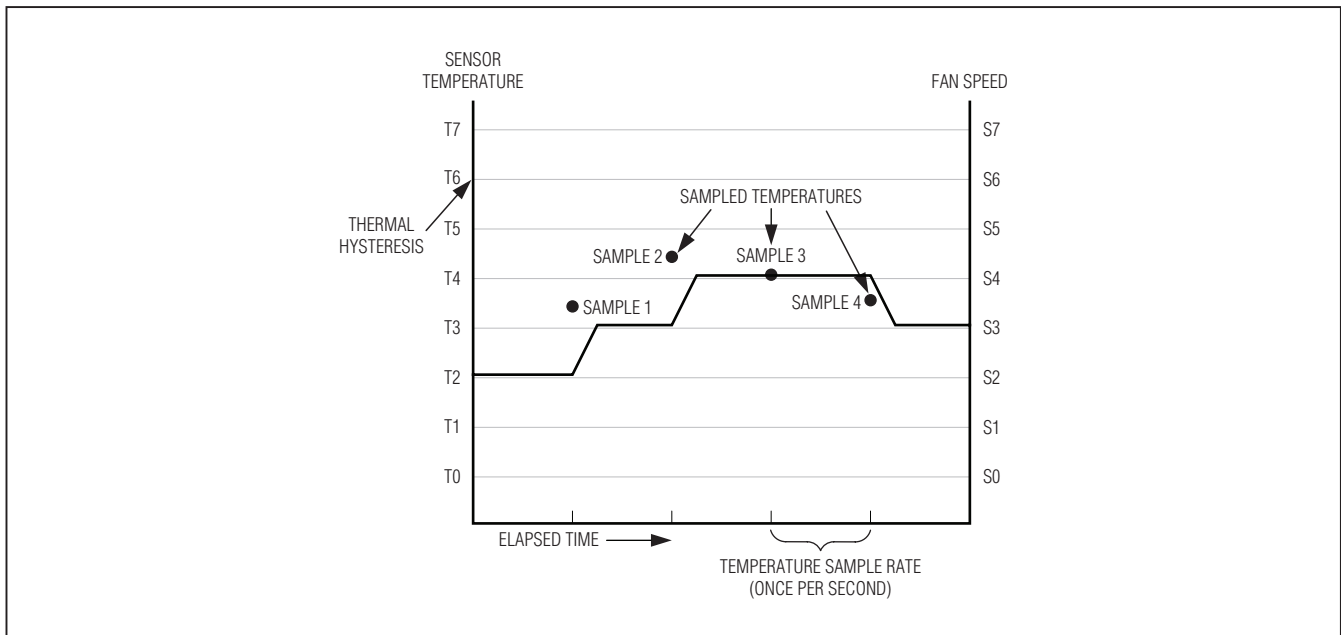


Figure 2. Fan Speed Example



# PMBus 5-Channel Power-Supply Manager and Intelligent Fan Controller

MAX34441

## Fan Spin-Up

Figure 3 shows the fan spin-up process. When the fan is spinning up, the number of revolutions is checked every 200ms for up to 2s. When the number of cumulated revolutions is greater than or equal to the spin-up relaxation criteria, the fan passes spin-up. If the fan has a locked rotor output, fan spin-up passes when the locked rotor signal is no longer asserted.

When spin-up passes, the device forces the fan PWM with a 40% duty cycle. The 40% duty cycle is maintained until the next temperature conversion is completed, which occurs once a second. After the temperature conversion, the device enters either manual mode operation or automatic operation using MFR\_FAN\_LUT.

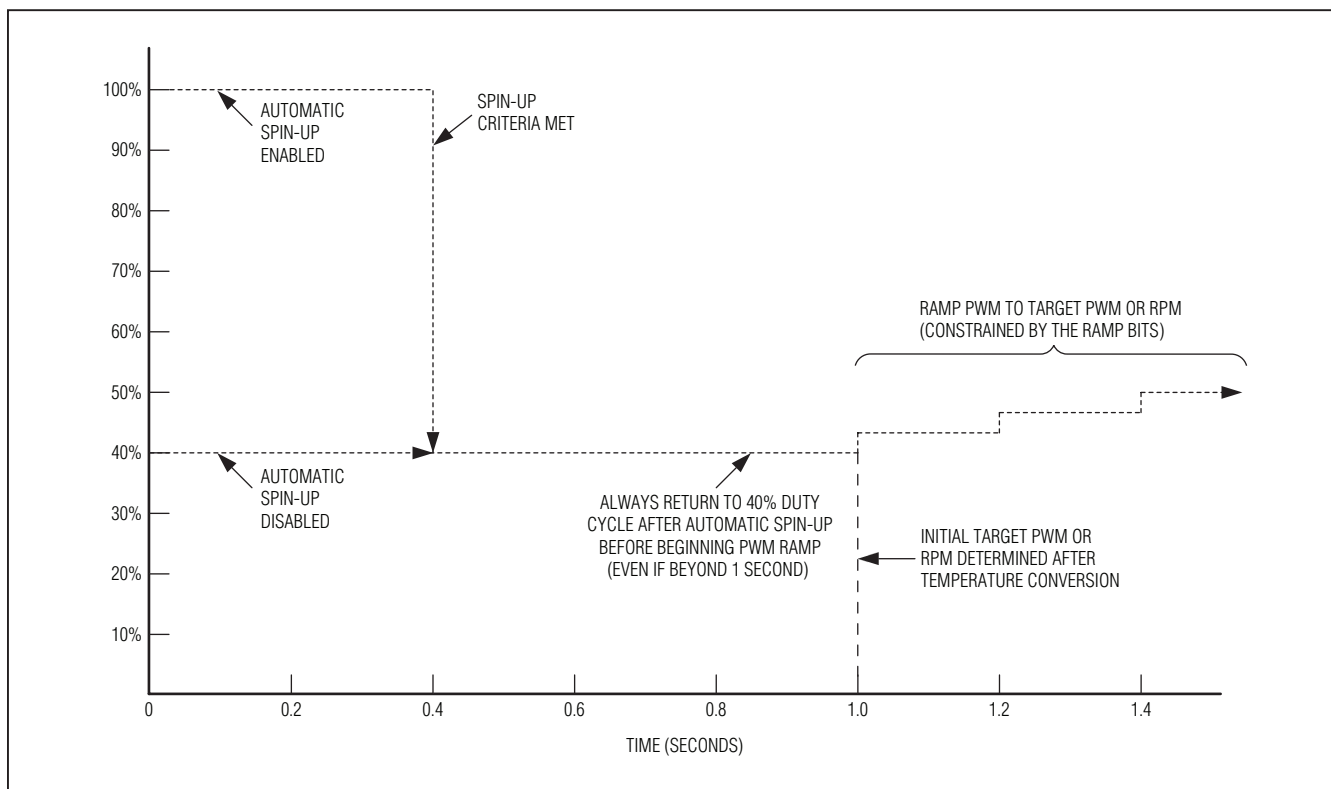


Figure 3. Fan Spin-Up

# PMBus 5-Channel Power-Supply Manager and Intelligent Fan Controller

## PMBus Commands

A summary of the PMBus commands supported by the device are described in the following sections.

### PAGE (00h)

The device can control up to five power supplies, up to six temperature sensors, and a fan using one PMBus (I<sup>2</sup>C) address. Send the PAGE command with data 0 to 11 to select which power supply or which temperature sensor or fan is affected by all the PMBus commands shown in Table 1. Not all commands are supported within each page. If an unsupported command is received, the CML status bit is set. Some commands are common, meaning that any selected page has the same effect on and the same response from the device.

Set the PAGE to 255 when it is desired that the following PMBus commands should apply to all pages at the same time. There are only a few commands (OPERATION, CLEAR\_FAULTS) where this function has a real application.

**Table 8. Page Commands**

| PAGE (DEC) | ASSOCIATED CONTROL  |
|------------|---|
| 0          | Power Supply Connected to ADC 0                           |
| 1          | Power Supply Connected to ADC 1                           |
| 2          | Power Supply Connected to ADC 2                           |
| 3          | Power Supply Connected to ADC 3                           |
| 4          | Power Supply Connected to ADC 4                           |
| 5          | Fan Connected to PWM 5                                    |
| 6          | Internal Temperature Sensor                               |
| 7          | Remote I <sup>2</sup> C Temperature Sensor with Address 0 |
| 8          | Remote I <sup>2</sup> C Temperature Sensor with Address 1 |
| 9          | Remote I <sup>2</sup> C Temperature Sensor with Address 2 |
| 10         | Remote I <sup>2</sup> C Temperature Sensor with Address 3 |
| 11         | Remote Thermal-Diode Sensor                               |
| 12 to 254  | Reserved  |
| 255        | Applies to All Pages                                      |

# PMBus 5-Channel Power-Supply Manager and Intelligent Fan Controller

MAX34441

## OPERATION (01h)

The OPERATION command is used to turn the power supply on and off in conjunction with the CONTROL input pin. The OPERATION command is also used to cause the power supply to set the output voltage to the upper or lower margin voltages. The power supply stays in the commanded operating mode until a subsequent OPERATION command or until a change in the state of the CONTROL pin (if enabled) instructs the power supply to change to another state. The valid OPERATION command byte values are shown in Tables 9 and 10. The OPERATION command controls how the device responds when commanded to change the output. When the command byte is 00h, the device immediately turns the power supply off and ignores any programmed turn-off delay. When the command byte is set to 40h, the device powers down according to the programmed turn-off delay. In Tables 9 and 10, “act on any fault” means that if any warning or fault on the selected power supply is detected when the output is margined, the device treats this as a warning or fault and responds as programmed. “Ignore all faults” means that overvoltage, overcurrent, and undervoltage warnings and faults on the selected power supply are ignored and not reported. Any command value not shown in Tables 9 and 10 is an invalid command. If the device receives a data byte that is not listed in Tables 9 and 10, then it treats this as invalid data, declares a data fault (set CML bit and assert ALERT), and responds as described in the *Fault Management and Reporting* section.

**USER NOTE: All power supplies tagged as GLOBAL supplies (see MFR\_FAULT\_RESPONSE) should be turned on and off at the same time.**

**Table 9. OPERATION Command Byte (When Bit 3 of ON\_OFF\_CONFIG = 1)**

| COMMAND BYTE | POWER SUPPLY ON OR OFF        | MARGIN STATE                    |
|--------------|-------------------------------|---------------------------------|
| 00h          | Immediate Off (No Sequencing) | N/A                             |
| 40h          | Soft Off (with Sequencing)    | N/A                             |
| 80h          | On                            | Margin Off                      |
| 94h          | On                            | Margin Low (Ignore All Faults)  |
| 98h          | On                            | Margin Low (Act On Any Fault)   |
| A4h          | On                            | Margin High (Ignore All Faults) |
| A8h          | On                            | Margin High (Act On Any Fault)  |

**Note:** The device only takes action if the supply is enabled. The VOUT of all enabled channels must exceed POWER\_GOOD\_ON for margining to begin.

**Table 10. OPERATION Command Byte (When Bit 3 of ON\_OFF\_CONFIG = 0)**

| COMMAND BYTE | POWER SUPPLY ON OR OFF | MARGIN STATE                    |
|--------------|------------------------|---------------------------------|
| 00h          | Command Has No Effect  | N/A                             |
| 40h          | Command Has No Effect  | N/A                             |
| 80h          | Command Has No Effect  | Margin Off                      |
| 94h          | Command Has No Effect  | Margin Low (Ignore All Faults)  |
| 98h          | Command Has No Effect  | Margin Low (Act On Any Fault)   |
| A4h          | Command Has No Effect  | Margin High (Ignore All Faults) |
| A8h          | Command Has No Effect  | Margin High (Act On Any Fault)  |

**Note:** The device only takes action if the supply is enabled. The VOUT of all enabled channels must exceed POWER\_GOOD\_ON for margining to begin.

# PMBus 5-Channel Power-Supply Manager and Intelligent Fan Controller

## ON\_OFF\_CONFIG (02h)

The ON\_OFF\_CONFIG command configures the combination of CONTROL input and PMBus OPERATION commands needed to turn the power supply on and off. This indicates how the power supply is commanded when power is applied. Table 11 describes the ON\_OFF\_CONFIG message content. The host should not modify ON\_OFF\_CONFIG while the power supplies are active.

**Table 11. ON\_OFF\_CONFIG (02h) Command Byte**

| BIT | PURPOSE   | BIT VALUE | MEANING   |
|-----|---|-----------|---|
| 7:5 | Reserved  | N/A       | Always returns 000.   |
| 4   | Turn on supplies when bias is present or use the CONTROL pin and/or OPERATION command | 0         | Turn on the supplies (with sequencing, if so configured) as soon as bias is supplied to the device regardless of the CONTROL pin. |
|     |   | 1         | Operate the supplies as instructed by the CONTROL pin and/or the OPERATION command.   |
| 3   | OPERATION Command Enable  | 0         | Ignore the on/off portion of the OPERATION command.   |
|     |   | 1         | OPERATION command enabled and required for action.  |
| 2   | CONTROL Pin Enable  | 0         | Ignore the CONTROL pin.   |
|     |   | 1         | CONTROL pin enabled and required for action.  |
| 1   | CONTROL Pin Polarity  | 0         | Active low (drive low to turn on the power supplies).   |
|     |   | 1         | Active high (drive high to turn on the power supplies).   |
| 0   | CONTROL Pin Turn-Off Action   | 0         | Use the programmed turn-off delay (soft off).   |
|     |   | 1         | Turn off the power supplies immediately.  |

## CLEAR\_FAULTS (03h)

The CLEAR\_FAULTS command is used to clear any fault or warning bits in the status registers that have been set. This command clears all bits simultaneously. The CLEAR\_FAULTS command does not cause a power supply that has latched off for a fault condition to restart. The status of PSEN under fault conditions is not affected by this command and changes only if commanded through the OPERATION command or CONTROL pin. If a fault is still present after the CLEAR\_FAULTS command is executed, the fault status bit is set again and the host is also notified by asserting  $\overline{\text{ALERT}}$  (if enabled in MFR\_MODE). This command is write-only. There is no data byte for this command.

## WRITE\_PROTECT (10h)

The WRITE\_PROTECT command is used to provide protection against accidental changes to the device operating memory. All supported commands can have their parameters read, regardless of the WRITE\_PROTECT settings. The WRITE\_PROTECT message content is described in Table 12.

**Table 12. WRITE\_PROTECT Command Byte**

| COMMAND BYTE | MEANING   |
|--------------|---|
| 80h          | Disable all writes except the WRITE_PROTECT command.                                      |
| 40h          | Disable all writes except the WRITE_PROTECT, OPERATION, and PAGE commands.                |
| 20h          | Disable all writes except the WRITE_PROTECT, OPERATION, PAGE, and ON_OFF_CONFIG commands. |
| 00h          | Enable writes for all commands (default).   |

**Note:** No fault or error is generated if the host attempts to write to a protected area.

# PMBus 5-Channel Power-Supply Manager and Intelligent Fan Controller

MAX34441

## STORE\_DEFAULT\_ALL (11h)

The STORE\_DEFAULT\_ALL command instructs the device to transfer the device configuration information to the internal flash memory array. Not all information is stored. Only configuration data is stored, not any status, or operational data. If an error occurs during the transfer,  $\overline{\text{ALERT}}$  asserts if enabled and the CML bit in STATUS\_BYTE and STATUS\_WORD is set to 1. No bits are set in STATUS\_CML. **It is NOT recommended to use the STORE\_DEFAULT\_ALL command while the device is operating power supplies or fans.** The device is unresponsive to PMBus commands and does not monitor power supplies while transferring the configuration. This command is write-only. There is no data byte for this command.

**USER NOTE: V<sub>DD</sub> must be above 2.9V for the device to perform the STORE\_DEFAULT\_ALL command.**

## RESTORE\_DEFAULT\_ALL (12h)

The RESTORE\_DEFAULT\_ALL command transfers the default configuration information from the internal flash memory array to the user memory registers in the device. The RESTORE\_DEFAULT\_ALL command should only be executed when the device is not operating the power supplies or fans. Upon a device reset, this command is automatically executed by the device without PMBus action required. This command is write-only. There is no data byte for this command.

## CAPABILITY (19h)

The CAPABILITY command is used to determine some key capabilities of the device. The CAPABILITY command is read-only. The message content is described in Table 13.

**Table 13. CAPABILITY Command Byte**

| BIT | DESCRIPTION           | MEANING   |
|-----|-----------------------|---|
| 7   | Packet-Error Checking | 0 = PEC not supported.  |
| 6:5 | PMBus Speed           | 00 = Maximum supported bus speed is 100kHz.   |
| 4   | ALERT                 | 1 = Device supports an ALERT output (if ALERT is enabled in MFR_MODE).<br>0 = Device does not support ALERT output (ALERT is disabled in MFR_MODE). |
| 3:0 | Reserved              | Always returns 0000.  |

## VOUT\_MODE (20h)

The VOUT\_MODE command is used to report the data format of the device. The device uses the DIRECT format for all the voltage-related commands. The value returned is 40h, indicating DIRECT data format. This command is read-only. If a host attempts to write this command, the CML status bit is asserted. See Table 3 for the m, b, and R values for the various commands.

## VOUT\_MARGIN\_HIGH (25h)

The VOUT\_MARGIN\_HIGH command loads the device with the voltage to which the power-supply output is to be changed when the OPERATION command is set to margin high. If the power supply is already operating at margin high, changing VOUT\_MARGIN\_HIGH has no effect on the output voltage. The device only adjusts the power supply to the new VOUT\_MARGIN\_HIGH voltage after receiving a new margin high OPERATION command. The 2 data bytes are in DIRECT format. If the device cannot successfully close-loop margin the power supply, the device keeps attempting to margin the supply and does the following:

- 1) Sets the NONE OF THE ABOVE bit in STATUS\_BYTE.
- 2) Sets the NONE OF THE ABOVE and MFR bits in STATUS\_WORD.
- 3) Sets the MARGIN\_FAULT bit in STATUS\_MFR\_SPECIFIC.
- 4) Notifies the host through  $\overline{\text{ALERT}}$  assertion (if enabled in MFR\_MODE).

# PMBus 5-Channel Power-Supply Manager and Intelligent Fan Controller

## VOUT\_MARGIN\_LOW (26h)

The VOUT\_MARGIN\_LOW command loads the device with the voltage to which the power-supply output is to be changed when the OPERATION command is set to margin low. If the power supply is already operating at margin low, changing VOUT\_MARGIN\_LOW has no effect on the output voltage. The device only adjusts the power supply to the new VOUT\_MARGIN\_LOW voltage after receiving a new margin low OPERATION command. The 2 data bytes are in DIRECT format. If the device cannot successfully close-loop margin the power supply, the device keeps attempting to margin the supply and does the following:

- 1) Sets the NONE OF THE ABOVE bit in STATUS\_BYTE.
- 2) Sets the NONE OF THE ABOVE and MFR bits in STATUS\_WORD.
- 3) Sets the MARGIN\_FAULT bit in STATUS\_MFR\_SPECIFIC.
- 4) Notifies the host through  $\overline{\text{ALERT}}$  assertion (if enabled in MFR\_MODE).

## VOUT\_SCALE\_MONITOR (2Ah)

VOUT\_SCALE\_MONITOR is used in applications where the measured power-supply voltage is not equal to the voltage at the ADC input. For example, if the ADC input expects a 1.0V input for a 12V output, VOUT\_SCALE\_MONITOR =  $1.0\text{V}/12\text{V} = 0.0833$ . In applications where the power-supply output voltage is greater than the device input range, the output voltage of the power supply is sensed through a resistive voltage-divider. The resistive voltage-divider reduces or scales the output voltage. The PMBus commands specify the actual power-supply output voltages and not the input voltage to the ADC. To allow the device to map between the power-supply voltage (such as 12V) and the voltage at the ADC input, the VOUT\_SCALE\_MONITOR command is used. The 2 data bytes are in DIRECT format. This value is dimensionless. For example, if the required scaling factor is 0.0833, then VOUT\_SCALE\_MONITOR should be set to 0AABh ( $2731/32,767 = 0.0833$ ).

**Table 14. VOUT\_SCALE\_MONITOR**

| NOMINAL VOLTAGE LEVEL MONITORED (V) | NOMINAL ADC INPUT VOLTAGE LEVEL (V) (SEE NOTE) | RESISTIVE VOLTAGE-DIVIDER RATIO | VOUT_SCALE_MONITOR VALUE (HEX) |
|-------------------------------------|--|---------------------------------|--------------------------------|
| 1.2                                 | 1.0  | 0.833                           | 6AAAh                          |
| 1.5                                 | 1.0  | 0.667                           | 5555h                          |
| 1.8                                 | 1.0  | 0.555                           | 470Ah                          |
| 2.5                                 | 1.0  | 0.4                             | 3333h                          |
| 3.3                                 | 1.0  | 0.303                           | 26C8h                          |
| 5                                   | 1.0  | 0.2                             | 1999h                          |
| 12                                  | 1.0  | 0.0833                          | 0AABh                          |

**Note:** On the device, the full-scale ADC voltage is 1.225V. A scaling factor where a 1.0V ADC input represents a nominal 100% voltage level is recommended.

## IOUT\_CAL\_GAIN (38h)

The IOUT\_CAL\_GAIN command is used to set the ratio of the voltage at the ADC input to the sensed current. The units of the IOUT\_CAL\_GAIN factor are  $0.1\text{m}\Omega$ . The 2 data bytes are in DIRECT format. For example, if a  $10\text{m}\Omega$  sense resistor is used with a 50V/V current-sense amplifier, the IOUT\_CAL\_GAIN should be set to  $500\text{m}\Omega$  or 1388h.

**USER NOTE:** On the device, the full-scale ADC voltage is 1.225V. The value of the sense resistor and current-sense amplifier gain must be scaled appropriately.

# PMBus 5-Channel Power-Supply Manager and Intelligent Fan Controller

## FAN\_CONFIG\_1\_2 (3Ah)

The FAN\_CONFIG\_1\_2 command is used in conjunction with MFR\_FAN\_CONFIG to configure the fan. See the MFR\_FAN\_CONFIG (F1h) section for more details on this command. The FAN\_CONFIG\_1\_2 command is described in Table 15.

**Table 15. FAN\_CONFIG\_1\_2 Command Byte**

| BIT | NAME       | MEANING   |
|-----|------------|---|
| 7   | FAN ENABLE | 0 = Fan disabled (PWM5 forced low).<br>1 = Fan enabled.   |
| 6   | RPM/PWM    | 0 = PWM duty cycle is the fan-controlling parameter.<br>1 = RPM is the fan-controlling parameter.   |
| 5:4 | PULSE      | 00 = 1 Tach pulse per fan revolution.<br>01 = 2 Tach pulses per fan revolution.<br>10 = 3 Tach pulses per fan revolution.<br>11 = 4 Tach pulses per fan revolution. |
| 3:0 | 0          | These bits always return a 0.   |

## FAN\_COMMAND\_1 (3Bh)

The FAN\_COMMAND\_1 command is used to override the device's automatic fan-control function and force the fan to either a fixed PWM duty-cycle value or a target fan speed (in RPM). The units of the FAN\_COMMAND\_1 are either percent duty cycle (if bit 6 of FAN\_CONFIG\_1\_2 is zero) or RPM (if bit 6 of FAN\_CONFIG\_1\_2 is one). Any value less than 0% duty cycle or 0 RPM causes the device to ignore this command and use the automatic fan-control function. Any value greater than or equal to 0% duty cycle or 0 RPM causes the device to ignore the automatic fan-control function and force the fan to the PWM value or RPM value provided by the FAN\_COMMAND\_1 command. The 2 data bytes are in DIRECT format.

**Table 16. PWM Fan Mode (FAN\_CONFIG\_1\_2 Bit 6 = 0)**

| FAN_COMMAND_1 VALUE | DEVICE RESPONSE   |
|---------------------|---|
| 8000h to FFFFh      | Ignore FAN_COMMAND_1 and use automatic fan-control function |
| 0000h to 2710Fh     | 0 to 100% fan PWM duty cycle                                |
| 2711h to 7FFFh      | 100% fan PWM duty cycle                                     |

**Table 17. RPM Fan Mode (FAN\_CONFIG\_1\_2 Bit 6 = 1)**

| FAN_COMMAND_1 VALUE | DEVICE RESPONSE   |
|---------------------|---|
| 8000h to FFFFh      | Ignore FAN_COMMAND_1 and use automatic fan-control function |
| 0000h to 7FFFh      | 0 to 32,767 RPM   |

# PMBus 5-Channel Power-Supply Manager and Intelligent Fan Controller

## **VOUT\_OV\_FAULT\_LIMIT (40h)**

The VOUT\_OV\_FAULT\_LIMIT command sets the value of the output voltage that causes an output overvoltage fault. The 2 data bytes are in DIRECT format. In response to the VOUT\_OV\_FAULT\_LIMIT being exceeded, the device does the following:

- 1) Sets the VOUT\_OV bit in STATUS\_BYTE.
- 2) Sets the VOUT\_OV and VOUT bits in STATUS\_WORD.
- 3) Sets the VOUT\_OV\_FAULT bit in STATUS\_VOUT.
- 4) Responds as specified in the MFR\_FAULT\_RESPONSE.
- 5) Notifies the host through  $\overline{\text{ALERT}}$  assertion (if enabled in MFR\_MODE).

## **VOUT\_OV\_WARN\_LIMIT (42h)**

The VOUT\_OV\_WARN\_LIMIT command sets the value of the output voltage that causes an output-voltage high warning. This value is typically less than the output overvoltage threshold in VOUT\_OV\_FAULT\_LIMIT. The 2 data bytes are in DIRECT format. In response to the VOUT\_OV\_WARN\_LIMIT being exceeded, the device does the following:

- 1) Sets the NONE OF THE ABOVE bit in STATUS\_BYTE.
- 2) Sets the NONE OF THE ABOVE and VOUT bits in STATUS\_WORD.
- 3) Sets the VOUT\_OV\_WARN bit in STATUS\_VOUT.
- 4) Notifies the host using  $\overline{\text{ALERT}}$  assertion (if enabled in MFR\_MODE).

## **VOUT\_UV\_WARN\_LIMIT (43h)**

The VOUT\_UV\_WARN\_LIMIT command sets the value of the output voltage that causes an output-voltage low warning. This value is typically greater than the output undervoltage fault threshold in VOUT\_UV\_FAULT\_LIMIT. This warning is masked until the output voltage reaches the programmed VOUT\_UV\_FAULT for the first time, and also during turn-off when the power supply is disabled. The 2 data bytes are in DIRECT format. In response to violation of the VOUT\_UV\_WARN\_LIMIT, the device does the following:

- 1) Sets the NONE OF THE ABOVE bit in STATUS\_BYTE.
- 2) Sets the NONE OF THE ABOVE and VOUT bits in STATUS\_WORD.
- 3) Sets the VOUT\_UV\_WARN bit in STATUS\_VOUT.
- 4) Notifies the host using  $\overline{\text{ALERT}}$  assertion (if enabled in MFR\_MODE).

## **VOUT\_UV\_FAULT\_LIMIT (44h)**

The VOUT\_UV\_FAULT\_LIMIT command sets the value of the output voltage that causes an output undervoltage fault. This fault is masked until the output voltage reaches the programmed VOUT\_UV\_FAULT for the first time, and also during turn-off when the power supply is disabled. The VOUT\_UV\_FAULT\_LIMIT threshold is also used to determine if TON\_MAX\_FAULT\_LIMIT is exceeded. The 2 data bytes are in DIRECT format. In response to violation of the VOUT\_UV\_FAULT\_LIMIT, the device does the following:

- 1) Sets the NONE OF THE ABOVE bit in STATUS\_BYTE.
- 2) Sets the NONE OF THE ABOVE and VOUT bits in STATUS\_WORD.
- 3) Sets the VOUT\_UV\_FAULT bit in STATUS\_VOUT.
- 4) Responds as specified in MFR\_FAULT\_RESPONSE.
- 5) Notifies the host using  $\overline{\text{ALERT}}$  assertion (if enabled in MFR\_MODE).



# PMBus 5-Channel Power-Supply Manager and Intelligent Fan Controller

MAX34441

## IOUT\_OC\_WARN\_LIMIT (46h)

The IOUT\_OC\_WARN\_LIMIT command sets the value of the current that causes an overcurrent warning. This value is typically less than the overcurrent fault threshold in IOUT\_OC\_FAULT\_LIMIT. The 2 data bytes are in DIRECT format. In response to violation of the IOUT\_OC\_WARN\_LIMIT, the device does the following:

- 1) Sets the NONE OF THE ABOVE bit in STATUS\_BYTE.
- 2) Sets the NONE OF THE ABOVE, IOUT, and MFR bits in STATUS\_WORD.
- 3) Sets the OC\_WARN bit in STATUS\_MFR\_SPECIFIC.
- 4) Notifies the host using  $\overline{\text{ALERT}}$  assertion (if enabled in MFR\_MODE).

## IOUT\_OC\_FAULT\_LIMIT (4Ah)

The IOUT\_OC\_FAULT\_LIMIT command sets the value of the current that causes an overcurrent fault. The factory default value for IOUT\_OC\_FAULT\_LIMIT is 0000h. This value disables the device from measuring current. Any nonzero positive value written to IOUT\_OC\_FAULT\_LIMIT causes the device to enable current measurement. The 2 data bytes are in DIRECT format. In response to violation of the IOUT\_OC\_FAULT\_LIMIT, the device does the following:

- 1) Sets the IOUT\_OC bit in STATUS\_BYTE.
- 2) Sets the IOUT, IOUT\_OC, and MFR bits in STATUS\_WORD.
- 3) Sets the OC\_FAULT bit in STATUS\_MFR\_SPECIFIC.
- 4) Responds as specified in the MFR\_FAULT\_RESPONSE.
- 5) Notifies the host using  $\overline{\text{ALERT}}$  assertion (if enabled in MFR\_MODE).

**Table 18. IOUT\_OC\_FAULT\_LIMIT**

| IOUT_OC_FAULT_LIMIT VALUE | DEVICE RESPONSE (ON THE ASSOCIATED PAGE) |
|---------------------------|--|
| 8000h to FFFFh            | Negative values are invalid.             |
| 0000h                     | Current measurement disabled.            |
| 0001h to 7FFFh            | Current measurement enabled.             |

## OT\_FAULT\_LIMIT (4Fh)

The OT\_FAULT\_LIMIT command sets the temperature, in degrees Celsius, of the selected temperature sensor at which an overtemperature fault is detected. The 2 data bytes are in DIRECT format. In response to the OT\_FAULT\_LIMIT being exceeded, the device does the following:

- 1) Sets the TEMPERATURE bit in STATUS\_BYTE.
- 2) Sets the TEMPERATURE and MFR bits in STATUS\_WORD.
- 3) Sets the OT\_FAULT bit in STATUS\_MFR\_SPECIFIC.
- 4) Responds as specified in MFR\_FAULT\_RESPONSE.
- 5) Notifies the host using  $\overline{\text{ALERT}}$  assertion (if enabled in MFR\_MODE).

# PMBus 5-Channel Power-Supply Manager and Intelligent Fan Controller

## OT\_WARN\_LIMIT (51h)

The OT\_WARN\_LIMIT command sets the temperature, in degrees Celsius, of the selected temperature sensor at which an overtemperature warning is detected. The 2 data bytes are in DIRECT format. In response to the OT\_WARN\_LIMIT being exceeded, the device does the following:

- 1) Sets the TEMPERATURE bit in STATUS\_BYTE.
- 2) Sets the TEMPERATURE and MFR bits in STATUS\_WORD.
- 3) Sets the OT\_WARN bit in STATUS\_MFR\_SPECIFIC.
- 4) Notifies the host through  $\overline{\text{ALERT}}$  assertion (if enabled in MFR\_MODE).

## POWER\_GOOD\_ON (5Eh)

The POWER\_GOOD\_ON command sets the value of the output voltage that causes the PG output (if enabled in MFR\_MODE) to assert. All enabled power supplies must be above their associated POWER\_GOOD\_ON thresholds before the PG output is asserted. All the enabled power supplies must also be above POWER\_GOOD\_ON for power-supply margining to begin. The POWER\_GOOD\_ON level is normally set higher than the POWER\_GOOD\_OFF level and VOUT\_UV\_FAULT\_LIMIT. The 2 data bytes are in DIRECT format.

## POWER\_GOOD\_OFF (5Fh)

The POWER\_GOOD\_OFF command sets the value of the output voltage that causes the PG output (if enabled in MFR\_MODE) to deassert after it has been asserted. Any enabled power supply that falls below the associated POWER\_GOOD\_OFF threshold causes the PG output to be deasserted. The POWER\_GOOD\_OFF level is normally set lower than the POWER\_GOOD\_ON level. The 2 data bytes are in DIRECT format.

When the VOUT level of a power supply falls from greater than POWER\_GOOD\_ON to less than POWER\_GOOD\_OFF, the device does the following:

- 1) Sets the NONE OF THE ABOVE bit in STATUS\_BYTE.
- 2) Sets the NONE OF THE ABOVE, POWER\_GOOD#, AND MFR bits in STATUS\_WORD.
- 3) Sets the POWER\_GOOD# bit in STATUS\_MFR\_SPECIFIC.

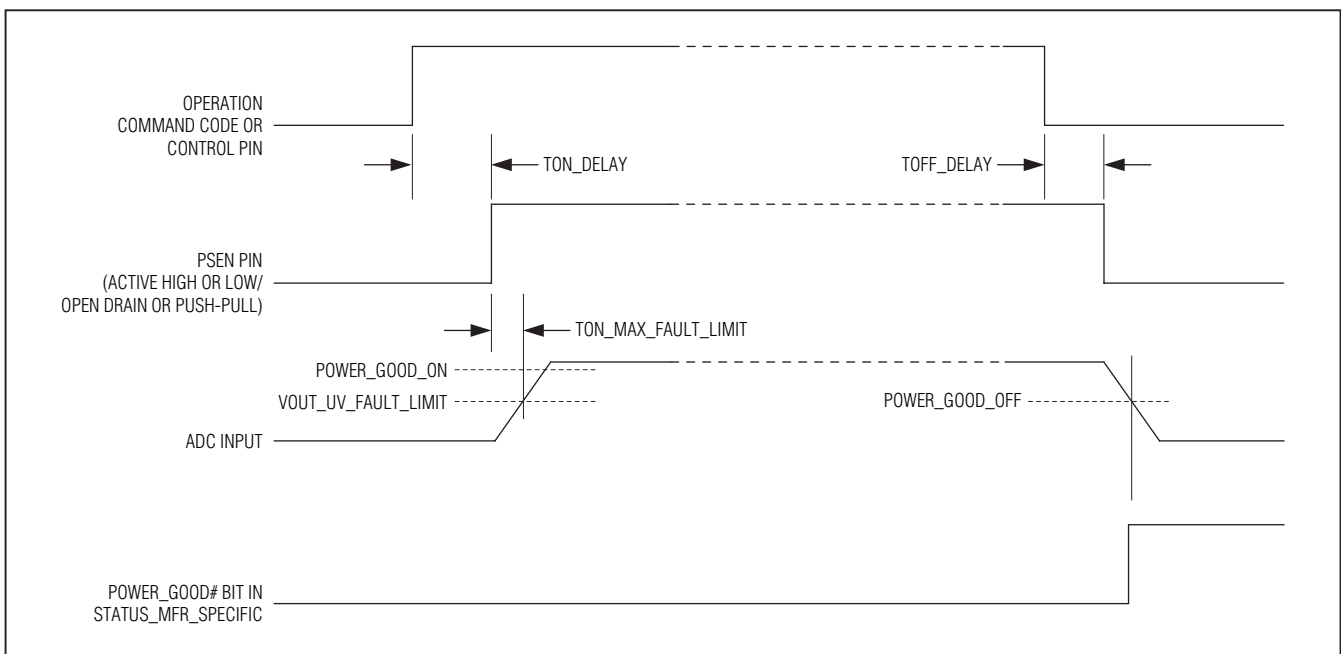


Figure 4. Power-Supply Sequencing

# PMBus 5-Channel Power-Supply Manager and Intelligent Fan Controller

## TON\_DELAY (60h)

TON\_DELAY sets the time, in milliseconds, from when a START condition is received (a valid OPERATION command or through the CONTROL pin when enabled) until the PSEN output is asserted. The undervoltage fault and warning are masked off during TON\_DELAY. The 2 data bytes are in DIRECT format.

## TON\_MAX\_FAULT\_LIMIT (62h)

The TON\_MAX\_FAULT\_LIMIT sets an upper time limit, in milliseconds, from when the TON\_DELAY and the PSEN output are asserted until the output voltage crosses the VOUT\_UV\_FAULT\_LIMIT threshold. The 2 data bytes are in DIRECT format. If the value is 0, the power supply is not sequenced by the device and the associated PSEN output remains deasserted; voltage and current monitoring is disabled. In response to the TON\_MAX\_FAULT\_LIMIT being exceeded, the device does the following:

- 1) Sets the NONE OF THE ABOVE bit in STATUS\_BYTE.
- 2) Sets the NONE OF THE ABOVE and VOUT bits in STATUS\_WORD.
- 3) Sets the TON\_MAX\_FAULT bit in STATUS\_VOUT.
- 4) Responds as specified in the MFR\_FAULT\_RESPONSE.
- 5) Notifies the host using ALERT assertion (if enabled in MFR\_MODE).

**Table 19. TON\_MAX\_FAULT\_LIMIT**

| TON_MAX_FAULT_LIMIT VALUE | DEVICE RESPONSE (FOR THE ASSOCIATED PAGE)                 |
|---------------------------|---|
| 8000h to FFFFh            | Negative values are invalid.                              |
| 0000h                     | Channel off (PSEN remains deasserted with no monitoring). |
| 0001h to 7FFFh            | Channel on and sequencing enabled.                        |

## TOFF\_DELAY (64h)

The TOFF\_DELAY sets the time, in milliseconds, from when a STOP condition is received (a soft-off OPERATION command or through the CONTROL pin when enabled) until the PSEN output is deasserted. When commanded to turn off immediately (either through the OPERATION command or the CONTROL pin), the TOFF\_DELAY value is ignored. The 2 data bytes are in DIRECT format.

## STATUS\_BYTE (78h)

The STATUS\_BYTE command returns 1 byte of information with a summary of the most critical faults. A value of 1 indicates that a fault or warning event has occurred and a 0 indicates otherwise. Bits for unsupported features are reported as 0. The STATUS\_BYTE cannot be restored by the RESTORE\_DEFAULT\_ALL command. The STATUS\_BYTE message content is described in Table 20. This command is read-only.

**Table 20. STATUS\_BYTE**

| BIT | BIT NAME          | MEANING   |
|-----|-------------------|---|
| 7:6 | 0                 | These bits always return a 0.                             |
| 5   | VOUT_OV           | An overvoltage fault has occurred.                        |
| 4   | IOUT_OC           | An overcurrent fault has occurred.                        |
| 3   | 0                 | This bit always returns a 0.                              |
| 2   | TEMPERATURE       | A temperature fault or warning has occurred.              |
| 1   | CML               | A communication, memory, or logic fault has occurred.     |
| 0   | NONE OF THE ABOVE | A fault or warning not listed in bits [7:1] has occurred. |

# PMBus 5-Channel Power-Supply Manager and Intelligent Fan Controller

## STATUS\_WORD (79h)

The STATUS\_WORD command returns 2 bytes of information with a summary of the reason for a fault. The low byte of the STATUS\_WORD is the same data as the STATUS\_BYTE. Table 21 describes the STATUS\_WORD message content.

**Table 21. STATUS\_WORD**

| BIT | BIT NAME          | MEANING   |
|-----|-------------------|---|
| 15  | VOUT              | An output voltage fault or warning or TON_MAX_FAULT has occurred.                 |
| 14  | IOUT              | An overcurrent fault or warning has occurred.                                     |
| 13  | 0                 | This bit always returns a 0.  |
| 12  | MFR               | A bit in STATUS_MFR_SPECIFIC has been set.  |
| 11  | POWER_GOOD#       | A power-supply voltage has fallen from POWER_GOOD_ON to less than POWER_GOOD_OFF. |
| 10  | FANS              | A fan fault has occurred.   |
| 9:6 | 0                 | These bits always return a 0.   |
| 5   | VOUT_OV           | An overvoltage fault has occurred.  |
| 4   | IOUT_OC           | An overcurrent fault has occurred.  |
| 3   | 0                 | This bit always returns a 0.  |
| 2   | TEMPERATURE       | A temperature fault or warning has occurred.                                      |
| 1   | CML               | A communication, memory, or logic fault has occurred.                             |
| 0   | NONE OF THE ABOVE | A fault or warning not listed in bits [7:1] has occurred.                         |

## STATUS\_VOUT (7Ah)

The STATUS\_VOUT command returns 1 byte of information with contents as described in Table 22.

**Table 22. STATUS\_VOUT**

| BIT | BIT NAME      | MEANING                       |
|-----|---------------|-------------------------------|
| 7   | VOUT_OV_FAULT | VOUT overvoltage fault.       |
| 6   | VOUT_OV_WARN  | VOUT overvoltage warning.     |
| 5   | VOUT_UV_WARN  | VOUT undervoltage warning.    |
| 4   | VOUT_UV_FAULT | VOUT undervoltage fault.      |
| 3   | 0             | This bit always returns a 0.  |
| 2   | TON_MAX_FAULT | TON maximum fault.            |
| 1:0 | 0             | These bits always return a 0. |

## STATUS\_CML (7Eh)

The STATUS\_CML command returns 1 byte of information with contents as described in Table 23.

**Table 23. STATUS\_CML**

| BIT | BIT NAME       | MEANING  |
|-----|----------------|--|
| 7   | COMM_FAULT     | An invalid or unsupported command has been received. |
| 6   | DATA_FAULT     | An invalid or unsupported data has been received.    |
| 5:1 | 0              | These bits always return a 0.                        |
| 0   | FAULT_LOG_FULL | MFR_NV_FAULT_LOG is full and needs to be cleared.    |

# PMBus 5-Channel Power-Supply Manager and Intelligent Fan Controller

## STATUS\_MFR\_SPECIFIC (80h)

The STATUS\_MFR\_SPECIFIC command returns 1 byte of information with a summary of the reason for a fault. The STATUS\_MFR\_SPECIFIC message content is described in Table 24.

**Table 24. STATUS\_MFR\_SPECIFIC**

| BIT | BIT NAME     | MEANING  |
|-----|--------------|--|
| 7   | OFF          | This bit is set if the power supply is off (due to either a fault or sequencing delay; this bit is not set if the power supply is disabled). |
| 6   | OT_WARN      | Overtemperature warning.   |
| 5   | OT_FAULT     | Overtemperature fault.   |
| 4   | WATCHDOG     | A watchdog reset has occurred.   |
| 3   | MARGIN_FAULT | This bit is set if the device cannot properly close-loop margin the power supply.  |
| 2   | POWER_GOOD#  | Power-supply voltage has fallen from POWER_GOOD_ON to less than POWER_GOOD_OFF.  |
| 1   | OC_FAULT     | IOUT overcurrent fault.  |
| 0   | OC_WARN      | IOUT overcurrent warning.  |

**Note:** The settings of the OFF and POWER\_GOOD# bits do not assert the  $\overline{\text{ALERT}}$  signal.

## STATUS\_FANS\_1\_2 (81h)

The STATUS\_FANS\_1\_2 command returns 1 byte of information with the status of the fan. The STATUS\_FANS\_1\_2 command is described in Table 25.

**Table 25. STATUS\_FANS\_1\_2**

| BIT | BIT NAME    | MEANING                       |
|-----|-------------|-------------------------------|
| 7   | FAN_1_FAULT | Fan 1 fault.                  |
| 6   | 0           | This bit always returns a 0.  |
| 5   | FAN_1_WARN  | Fan 1 warning.                |
| 4:0 | 0           | These bits always return a 0. |

## READ\_VOUT (8Bh)

The READ\_VOUT command returns the actual measured (not commanded) output voltage. READ\_VOUT is measured and updated every 5ms. The 2 data bytes are in DIRECT format.

## READ\_IOUT (8Ch)

The READ\_IOUT command returns the latest measured current value. READ\_IOUT is measured and updated every 200ms. The 2 data bytes are in DIRECT format.

## READ\_TEMPERATURE\_1 (8Dh)

The READ\_TEMPERATURE\_1 command returns the temperature returned from the temperature sensor. The value of READ\_TEMPERATURE\_1 does not have offset from MFR\_TEMP\_SENSOR\_CONFIG added. READ\_TEMPERATURE\_1 returns 7FFFh if the sensor is faulty and 0000h if the sensor is disabled. READ\_TEMPERATURE\_1 is measured and updated once a second. The 2 data bytes are in DIRECT format.

# PMBus 5-Channel Power-Supply Manager and Intelligent Fan Controller

## **READ\_FAN\_SPEED\_1 (90h)**

The READ\_FAN\_SPEED\_1 command returns the fan speed in RPM. READ\_FAN\_SPEED\_1 is updated once a second, even if the fan is disabled. The PULSE bits in FAN\_CONFIG\_1\_2 must be properly configured to receive the correct fan speed. Fan speeds below 60 RPM (360 RPM for dual mode fans) are reported as 0 RPM. The 2 data bytes are in DIRECT format.

## **PMBUS\_REVISION (98h)**

The PMBUS\_REVISION command returns the revision of the PMBus specification to which the device is compliant. The command has 1 data byte. Bits [7:4] indicate the revision of PMBus specification Part I to which the device is compliant. Bits [3:0] indicate the revision of PMBus specification Part II to which the device is compliant. This command is read-only. The PMBUS\_REVISION value returned is always 11h, which indicates that it is compliant with Part I Rev 1.1 and Part II Rev 1.1.

## **MFR\_ID (99h)**

The MFR\_ID command returns the text (ISO/IEC 8859-1) character of the manufacturer's (Maxim) identification. The default MFR\_ID value is 4Dh (M). This command is read-only.

## **MFR\_MODEL (9Ah)**

The MFR\_MODEL command returns the text (ISO/IEC 8859-1) character of the device model number. The default MFR\_MODEL value is 52h (R). This command is read-only.

## **MFR\_REVISION (9Bh)**

The MFR\_REVISION command returns two text (ISO/IEC 8859-1) characters that contain the device revision numbers for hardware (upper byte) and firmware (lower byte). The default MFR\_REVISION value is 3031h (01). This command is read-only.

## **MFR\_LOCATION (9Ch)**

The MFR\_LOCATION command loads the device with text (ISO/IEC 8859-1) characters that identify the facility that manufactures the power supply. The maximum number of characters is 8. This data is written to internal flash using the STORE\_DEFAULT\_ALL command. The factory default text string value is 3130313031303130h.

## **MFR\_DATE (9Dh)**

The MFR\_DATE command loads the device with text (ISO/IEC 8859-1) characters that identify the date of manufacture of the power supply. The maximum number of characters is 8. This data is written to internal flash using the STORE\_DEFAULT\_ALL command. The factory default text string value is 3130313031303130h.

## **MFR\_SERIAL (9Eh)**

The MFR\_SERIAL command loads the device with text (ISO/IEC 8859-1) characters that uniquely identify the device. The maximum number of characters is 8. This data is written to internal flash using the STORE\_DEFAULT\_ALL command. The factory default text string value is 3130313031303130h.

# PMBus 5-Channel Power-Supply Manager and Intelligent Fan Controller

## MFR\_MODE (D1h)

The MFR\_MODE command is used to configure the device to support manufacturer specific commands. The MFR\_MODE command is described in Table 26.

**Table 26. MFR\_MODE**

| BIT  | BIT NAME           | MEANING  |                |   |
|------|--------------------|--|----------------|---|
| 15   | FORCE_NV_FAULT_LOG | Setting this bit to 1 forces the device to log data into the nonvolatile fault log. Once set, the device clears this bit when the action is completed. The host must set again for subsequent action. If an error occurs during this action, the device sets the CML bit in STATUS_BYTE and STATUS_WORD; no bits are set in STATUS_CML.                              |                |   |
| 14   | CLEAR_NV_FAULT_LOG | Setting this bit to 1 forces the device to clear the nonvolatile fault log by writing FFh to all byte locations. Once set, the device clears this bit when the action is completed. The host must set again for subsequent action. If an error occurs during this action, the device sets the CML bit in STATUS_BYTE and STATUS_WORD; no bits are set in STATUS_CML. |                |   |
| 13   | ALERT              | 0 = $\overline{\text{ALERT}}$ disabled (device does not respond to ARA).<br>1 = $\overline{\text{ALERT}}$ enabled (device responds to ARA and ARA must be used).   |                |   |
| 12   | 0                  | This bit always returns a 0.   |                |   |
| 11   | SOFT_RESET         | This bit must be set, then cleared and set again within 8ms for a soft reset to occur.   |                |   |
| 10:9 | PGTIME[1:0]        | <b>PGTIME1</b>   | <b>PGTIME0</b> | <b>TIME FROM POWER GOOD DETERMINED UNTIL PG OUTPUT IS ASSERTED (ms)</b> |
|      |                    | 0  | 0              | Immediately   |
|      |                    | 0  | 1              | 100   |
|      |                    | 1  | 0              | 500   |
| 1    | 1                  | 1000   |                |   |
| 8    | PG_SELECT          | 0 = PG/TACHSEL output is power-good indication.<br>1 = PG/TACHSEL output is TACHSEL (for dual tachometer fans). For dual tachometer fans, this output is toggled every 500ms.  |                |   |
| 7    | PSEN_PP_OD         | Applies to all PSEN outputs.<br>0 = PSEN push-pull output.<br>1 = PSEN open-drain output.  |                |   |
| 6    | PSEN_HI_LO         | Applies to all PSEN outputs.<br>0 = PSEN active low.<br>1 = PSEN active high.  |                |   |
| 5:0  | 0                  | These bits always return a 0.  |                |   |

**Note:** If a dual tachometer fan is used, it is recommended that the slower tachometer signal be presented to the TACH pin when TACHSEL = 0.

# PMBus 5-Channel Power-Supply Manager and Intelligent Fan Controller

## **MFR\_VOUT\_PEAK (D4h)**

The MFR\_VOUT\_PEAK command returns the maximum actual measured output voltage. To reset this value to 0, write to this command with a data value of 0. Any values written to this command are used as a comparison for future peak updates. The 2 data bytes are in DIRECT format.

## **MFR\_IOUT\_PEAK (D5h)**

The MFR\_IOUT\_PEAK command returns the maximum measured current. To reset this value to 0, write to this command with a data value of 0. Any values written to this command are used as a comparison for future peak updates. The 2 data bytes are in DIRECT format.

## **MFR\_TEMPERATURE\_PEAK (D6h)**

The MFR\_TEMPERATURE\_PEAK command returns the maximum measured temperature. To reset this value to its lowest value, write to this command with a data value of 8000h. Any other values written by this command are used as a comparison for future peak updates. The 2 data bytes are in DIRECT format.

## **MFR\_VOUT\_MIN (D7h)**

The MFR\_VOUT\_MIN command returns the minimum actual measured output voltage. To reset this value, write to this command with a data value of 7FFFh. Any values written to this command are used as a comparison for future minimum updates. The 2 data bytes are in DIRECT format.

## **MFR\_FAULT\_RESPONSE (D9h)**

The MFR\_FAULT\_RESPONSE command specifies the response to each fault condition supported by the device. In response to a fault, the device always reports the fault in the appropriate status register and asserts the ALERT output (if enabled in MFR\_MODE). A CML fault cannot cause any device action other than setting the status bit and asserting the ALERT output. The MFR\_FAULT\_RESPONSE command is described in Table 27.

**Table 27. MFR\_FAULT\_RESPONSE**

| BIT   | BIT NAME                          | MEANING   |
|-------|-----------------------------------|---|
| 15    | NV_LOG                            | 0 = Do not log the fault into MFR_NV_FAULT_LOG.<br>1 = Log the fault into MFR_NV_FAULT_LOG. |
| 14    | GLOBAL                            | 0 = Affect only the selected page power supply.<br>1 = Affect all supplies with GLOBAL = 1. |
| 13:12 | 0                                 | These bits always return a 0.   |
| 11:10 | MFR_FAN_FAULT_LIMIT_RESPONSE[1:0] | See Table 28.   |
| 9:8   | IOUT_OC_FAULT_LIMIT_RESPONSE[1:0] | See Table 28.   |
| 7:6   | OT_FAULT_LIMIT_RESPONSE[1:0]      | See Table 28 (see Note 1).  |
| 5:4   | TON_MAX_FAULT_LIMIT_RESPONSE[1:0] | See Table 28.   |
| 3:2   | VOUT_UV_FAULT_LIMIT_RESPONSE[1:0] | See Table 28.   |
| 1:0   | VOUT_OV_FAULT_LIMIT_RESPONSE[1:0] | See Table 28.   |

**Note 1:** All enabled temperature sensor faults are logically ORed together.

**Note 2:** Temperature and fan faults affect all enabled power supplies. Supplies that are designated as global all respond in the same manner. This response is the worst-case response of the global channels for the given fault. Supplies that are not global respond to a temperature or fan fault based upon the programmed response for the particular supply.

**Note 3:** The fault response for a power-supply fault is determined by the programmed fault response for the faulting channel. If this channel is part of a global group, this fault response is performed for all the global channels.



# PMBus 5-Channel Power-Supply Manager and Intelligent Fan Controller

**Table 28. MFR\_FAULT\_RESPONSE Codes**

| RESPONSE [1:0] | FAULT RESPONSE   |
|----------------|--|
| 11             | <ul style="list-style-type: none"> <li>Set the corresponding fault bit in the appropriate status register.</li> <li>Log fault into MFR_NV_FAULT_LOG if NV_LOG = 1.</li> <li>Continue power-supply operation.</li> </ul>  |
| 10             | <ul style="list-style-type: none"> <li>Shut down the power supply by deasserting the PSEN output. Wait for the time configured in MFR_FAULT_RETRY and restart the supply. If GLOBAL = 1, all enabled power supplies with GLOBAL = 1 are shut down in sequence as configured with TOFF_DELAY, or they are all shut down immediately as configured by bit 0 in ON_OFF_CONFIG. Wait for the time configured in MFR_FAULT_RETRY and restart supplies in sequence as configured with TON_DELAY.</li> <li>If GLOBAL = 1, assert the <math>\overline{\text{FAULT}}</math> output until faults on all GLOBAL supplies clear and MFR_FAULT_RETRY expires.</li> <li>Set the corresponding fault bit in the appropriate status register.</li> <li>Log fault into MFR_NV_FAULT_LOG if NV_LOG = 1.</li> </ul> |
| 01             | <ul style="list-style-type: none"> <li>Latch-off the power supply by deasserting the PSEN output. If GLOBAL = 1, all enabled power supplies with GLOBAL = 1 are either shut down in sequence as configured with TOFF_DELAY, or they are all shut down immediately as configured by bit 0 in ON_OFF_CONFIG.</li> <li>Assert the <math>\overline{\text{FAULT}}</math> output if GLOBAL = 1 until power supplies are restarted by the user.</li> <li>Set the corresponding fault bit in the appropriate status register.</li> <li>Log fault into MFR_NV_FAULT_LOG if NV_LOG = 1.</li> </ul>   |
| 00             | <ul style="list-style-type: none"> <li>Set the corresponding fault bit in the appropriate status register.</li> <li>Continue power-supply operation.</li> </ul>  |

**Note:**  $\overline{\text{ALERT}}$  is asserted if enabled when a new status bit is set. A status bit is latched the first time a particular fault or warning occurs.

### **MFR\_FAULT\_RETRY (DAh)**

The MFR\_FAULT\_RETRY command sets the delay time between a power supply being shut down by a fault response and the power supply restarting. This command sets the retry time delay in multiples of 1ms. This command value is used for all fault responses that require delay retry. If global supplies are being sequenced off, the retry delay time does not begin until the last global channel is turned off. The 2 data bytes are in DIRECT format. When MFR\_FAULT\_RETRY = 0000h, the device restarts the power supply at the next available time period.

### **MFR\_NV\_FAULT\_LOG (DCh)**

Each time the MFR\_NV\_FAULT\_LOG command is executed, the device returns a block of 255 bytes containing one of the 15 nonvolatile fault logs. The MFR\_NV\_FAULT\_LOG command must be executed 15 times to dump the complete nonvolatile fault log. If the returned fault log is all FFs, this indicates that this fault log has not been written by the device. As the device is operating, it is reading the latest operating conditions for voltage, current, temperature, and fan speed, and it is updating the status registers. All this information is stored in on-board RAM. When a fault is detected (if so enabled in MFR\_FAULT\_RESPONSE), the device automatically logs this information to one of the 15 nonvolatile fault logs. After 15 faults have been written, bit 0 of STATUS\_CML is set and the host must clear the fault log by setting the CLEAR\_NV\_FAULT\_LOG bit in MFR\_MODE before any additional faults are logged. All the latest status information is logged as well as eight readings of voltage from the last 800ms in 100ms increments and four readings of current from the last 800ms of operation. If a power supply is not enabled to measure either current or voltage or if a temperature sensor is disabled, the associated fault log position returns 0000h.

There is a FAULT\_LOG\_COUNT (16-bit counter) at the beginning of each fault log that indicates which fault log is the latest. This counter rolls over should more than 65,535 faults be logged. This counter is not cleared when the CLEAR\_NV\_FAULT\_LOG bit in MFR\_MODE is toggled. The 255 bytes returned by the MFR\_NV\_FAULT\_LOG command are described in Table 29.

# PMBus 5-Channel Power-Supply Manager and Intelligent Fan Controller

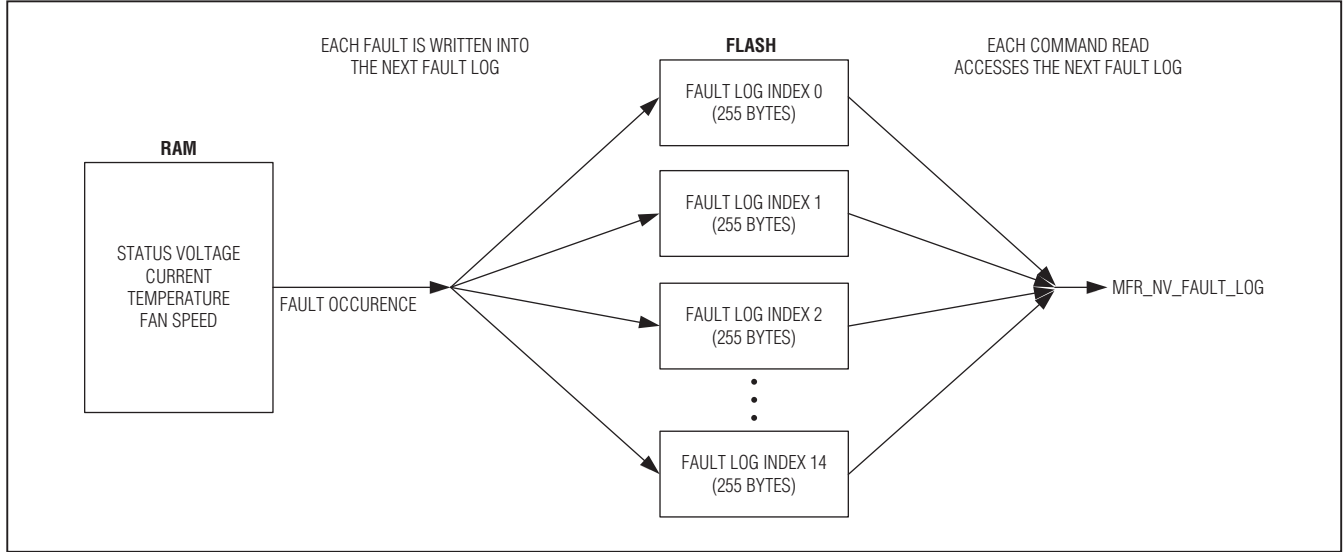


Figure 5. MFR\_NV\_FAULT\_LOG

If an error occurs while the device is attempting to write or clear the NV\_FAULT\_LOG, the device sets the CML bit in STATUS\_BYTE and STATUS\_WORD; no bits are set in STATUS\_CML. ALERT is asserted (if enabled in MFR\_MODE). See Figure 5.

**USER NOTE:** VDD must be above 2.9V for the device to clear or log data into MFR\_NV\_FAULT\_LOG.

Table 29. MFR\_NV\_FAULT\_LOG

| BYTE | PARAMETER                       | BYTE | PARAMETER                   |
|------|---------------------------------|------|-----------------------------|
| 0    | 00h/FAULT_LOG_INDEX             | 128  | READ_VOUT Index = 3, Page 2 |
| 2    | FAULT_LOG_COUNT                 | 130  | READ_VOUT Index = 3, Page 3 |
| 4    | MFR_TIME_COUNT (LSW)            | 132  | READ_VOUT Index = 3, Page 4 |
| 6    | MFR_TIME_COUNT (MSW)            | 134  | RESERVED (0000h)            |
| 8    | STATUS_BYTE/STATUS_CML          | 136  | READ_VOUT Index = 4, Page 0 |
| 10   | STATUS_WORD                     | 138  | READ_VOUT Index = 4, Page 1 |
| 12   | STATUS_VOUT Pages 0/1           | 140  | READ_VOUT Index = 4, Page 2 |
| 14   | STATUS_VOUT Pages 2/3           | 142  | READ_VOUT Index = 4, Page 3 |
| 16   | STATUS_VOUT Page 4/00h          | 144  | READ_VOUT Index = 4, Page 4 |
| 18   | STATUS_MFR_SPECIFIC Pages 0/1   | 146  | RESERVED (0000h)            |
| 20   | STATUS_MFR_SPECIFIC Pages 2/3   | 148  | READ_VOUT Index = 5, Page 0 |
| 22   | STATUS_MFR_SPECIFIC Pages 4/00h | 150  | READ_VOUT Index = 5, Page 1 |
| 24   | STATUS_MFR_SPECIFIC Pages 6/7   | 152  | READ_VOUT Index = 5, Page 2 |
| 26   | STATUS_MFR_SPECIFIC Pages 8/9   | 154  | READ_VOUT Index = 5, Page 3 |
| 28   | STATUS_MFR_SPECIFIC Pages 10/11 | 156  | READ_VOUT Index = 5, Page 4 |
| 30   | RESERVED (0000h)                | 158  | RESERVED (0000h)            |
| 32   | STATUS_FANS_1_2/00h             | 160  | READ_VOUT Index = 6, Page 0 |
| 34   | MFR_VOUT_PEAK Page 0            | 162  | READ_VOUT Index = 6, Page 1 |
| 36   | MFR_VOUT_PEAK Page 1            | 164  | READ_VOUT Index = 6, Page 2 |
| 38   | MFR_VOUT_PEAK Page 2            | 166  | READ_VOUT Index = 6, Page 3 |
| 40   | MFR_VOUT_PEAK Page 3            | 168  | READ_VOUT Index = 6, Page 4 |

# PMBus 5-Channel Power-Supply Manager and Intelligent Fan Controller

**MAX34441**

**Table 29. MFR\_NV\_FAULT\_LOG (continued)**

| BYTE | PARAMETER                    | BYTE | PARAMETER                   |
|------|------------------------------|------|-----------------------------|
| 42   | MFR_VOUT_PEAK Page 4         | 170  | RESERVED (0000h)            |
| 44   | RESERVED (0000h)             | 172  | READ_VOUT Index = 7, Page 0 |
| 46   | MFR_IOUT_PEAK Page 0         | 174  | READ_VOUT Index = 7, Page 1 |
| 48   | MFR_IOUT_PEAK Page 1         | 176  | READ_VOUT Index = 7, Page 2 |
| 50   | MFR_IOUT_PEAK Page 2         | 178  | READ_VOUT Index = 7, Page 3 |
| 52   | MFR_IOUT_PEAK Page 3         | 180  | READ_VOUT Index = 7, Page 4 |
| 54   | MFR_IOUT_PEAK Page 4         | 182  | RESERVED (0000h)            |
| 56   | RESERVED (0000h)             | 184  | RESERVED (0000h)            |
| 58   | MFR_TEMPERATURE_PEAK Page 6  | 186  | CURRENT_INDEX/00h           |
| 60   | MFR_TEMPERATURE_PEAK Page 7  | 188  | READ_IOUT Index = 0, Page 0 |
| 62   | MFR_TEMPERATURE_PEAK Page 8  | 190  | READ_IOUT Index = 0, Page 1 |
| 64   | MFR_TEMPERATURE_PEAK Page 9  | 192  | READ_IOUT Index = 0, Page 2 |
| 66   | MFR_TEMPERATURE_PEAK Page 10 | 194  | READ_IOUT Index = 0, Page 3 |
| 68   | MFR_TEMPERATURE_PEAK Page 11 | 196  | READ_IOUT Index = 0, Page 4 |
| 70   | MFR_VOUT_MIN Page 0          | 198  | RESERVED (0000h)            |
| 72   | MFR_VOUT_MIN Page 1          | 200  | READ_IOUT Index = 1, Page 0 |
| 74   | MFR_VOUT_MIN Page 2          | 202  | READ_IOUT Index = 1, Page 1 |
| 76   | MFR_VOUT_MIN Page 3          | 204  | READ_IOUT Index = 1, Page 2 |
| 78   | MFR_VOUT_MIN Page 4          | 206  | READ_IOUT Index = 1, Page 3 |
| 80   | RESERVED (0000h)             | 208  | READ_IOUT Index = 1, Page 4 |
| 82   | RESERVED (0000h)             | 210  | RESERVED (0000h)            |
| 84   | RESERVED (0000h)             | 212  | READ_IOUT Index = 2, Page 0 |
| 86   | VOLTAGE_INDEX/00h            | 214  | READ_IOUT Index = 2, Page 1 |
| 88   | READ_VOUT Index = 0, Page 0  | 216  | READ_IOUT Index = 2, Page 2 |
| 90   | READ_VOUT Index = 0, Page 1  | 218  | READ_IOUT Index = 2, Page 3 |
| 92   | READ_VOUT Index = 0, Page 2  | 220  | READ_IOUT Index = 2, Page 4 |
| 94   | READ_VOUT Index = 0, Page 3  | 222  | RESERVED (0000h)            |
| 96   | READ_VOUT Index = 0, Page 4  | 224  | READ_IOUT Index = 3, Page 0 |
| 98   | RESERVED (0000h)             | 226  | READ_IOUT Index = 3, Page 1 |
| 100  | READ_VOUT Index = 1, Page 0  | 228  | READ_IOUT Index = 3, Page 2 |
| 102  | READ_VOUT Index = 1, Page 1  | 230  | READ_IOUT Index = 3, Page 3 |
| 104  | READ_VOUT Index = 1, Page 2  | 232  | READ_IOUT Index = 3, Page 4 |
| 106  | READ_VOUT Index = 1, Page 3  | 234  | RESERVED (0000h)            |
| 108  | READ_VOUT Index = 1, Page 4  | 236  | RESERVED (0000h)            |
| 110  | RESERVED (0000h)             | 238  | READ_TEMPERATURE_1 Page 6   |
| 112  | READ_VOUT Index = 2, Page 0  | 240  | READ_TEMPERATURE_1 Page 7   |
| 114  | READ_VOUT Index = 2, Page 1  | 242  | READ_TEMPERATURE_1 Page 8   |
| 116  | READ_VOUT Index = 2, Page 2  | 244  | READ_TEMPERATURE_1 Page 9   |
| 118  | READ_VOUT Index = 2, Page 3  | 246  | READ_TEMPERATURE_1 Page 10  |
| 120  | READ_VOUT Index = 2, Page 4  | 248  | READ_TEMPERATURE_1 Page 11  |
| 122  | RESERVED (0000h)             | 250  | READ_FAN_SPEED_1            |
| 124  | READ_VOUT Index = 3, Page 0  | 252  | MFR_READ_FAN_PWM            |
| 126  | READ_VOUT Index = 3, Page 1  | 254  | LOG_VALID (see note)        |

**Note:** LOG\_VALID is set to DDh if the fault log contains valid data.

# PMBus 5-Channel Power-Supply Manager and Intelligent Fan Controller

## MFR\_TIME\_COUNT (DDh)

The MFR\_TIME\_COUNT command returns the number of seconds the device has been operating since the last time power was applied to the device,  $\overline{\text{RST}}$  was toggled, or a soft reset occurred. The counter is a 32-bit value and cannot be reset by the user.

## MFR\_MARGIN\_CONFIG (E0h)

The MFR\_MARGIN\_CONFIG command configures the digital PWM outputs to margin the power supplies. The MFR\_MARGIN\_CONFIG command is described in Table 30.

Power-supply margining is implemented using the PWM outputs. The PWM frequency is 62.5kHz. The device close-loop controls the duty cycle to margin the power supply. The device provides 6 bits of duty-cycle resolution.

The device margins the power supplies when OPERATION is set to one of the margin states. Margining of the supplies does not begin until **all** enabled power supplies have exceeded their programmed POWER\_GOOD\_ON levels. When this happens, the PWM output is enabled and the seed value from MFR\_MARGIN\_CONFIG is loaded as the initial PWM duty cycle. The device then averages eight samples of VOUT for a total time of 40ms. If the measured VOUT and the target (set by either VOUT\_MARGIN\_HIGH or VOUT\_MARGIN\_LOW) differ by more than 1%, the PWM duty cycle is adjusted by one step. The direction of the duty cycle adjustment is determined by the SLOPE bit in MFR\_MARGIN\_CONFIG. All changes to the PWM are made after averaging eight samples of VOUT over a 40ms period.

The device is unable to successfully margin a power supply to the programmed target when the PWM duty cycle reaches 0% or 100% and the target voltage has not been achieved. If this occurs, the device continues attempting to margin the power supply and does the following:

- 1) Sets the NONE OF THE ABOVE bit in STATUS\_BYTE.
- 2) Sets the NONE OF THE ABOVE and MFR bits in STATUS\_WORD.
- 3) Sets the MARGIN\_FAULT bit in STATUS\_MFR\_SPECIFIC.
- 4) Notifies the host through  $\overline{\text{ALERT}}$  assertion (if enabled in MFR\_MODE).

Also, the averaged VOUT after the PWM has initially been enabled with the seed value is compared to the target value. If the programmed seed value causes VOUT to exceed the target, a MARGIN\_FAULT is declared. For example, if the target is VOUT\_MARGIN\_LOW and VOUT is less than VOUT\_MARGIN\_LOW after seeding, MARGIN\_FAULT is set. In response to this fault, the device continues margining the power supply and does the following:

- 1) Sets the NONE OF THE ABOVE bit in STATUS\_BYTE.
- 2) Sets the NONE OF THE ABOVE and MFR bits in STATUS\_WORD.
- 3) Sets the MARGIN\_FAULT bit in STATUS\_MFR\_SPECIFIC.
- 4) Notifies the host through  $\overline{\text{ALERT}}$  assertion (if enabled in MFR\_MODE).

**Table 30. MFR\_MARGIN\_CONFIG**

| BIT  | BIT NAME | MEANING  |
|------|----------|--|
| 15   | SLOPE    | PWM duty cycle to resulting voltage relationship.<br>0 = Negative slope (increasing duty cycle results in a lower voltage).<br>1 = Positive slope (increasing duty cycle results in a higher voltage). |
| 14:6 | 0        | These bits always return a 0.  |
| 5:0  | SEED     | This 6-bit value is used as the initial PWM duty cycle (i.e., seed value) when the device begins to margin a power supply either up or down.   |

# PMBus 5-Channel Power-Supply Manager and Intelligent Fan Controller

## MFR\_TEMP\_SENSOR\_CONFIG (F0h)

The MFR\_TEMP\_SENSOR\_CONFIG command is used to configure the temperature sensors. Table 31 describes the MFR\_TEMP\_SENSOR\_CONFIG command.

**Table 31. MFR\_TEMP\_SENSOR\_CONFIG**

| BIT   | BIT NAME  | MEANING   |                      |
|-------|-----------|---|----------------------|
| 15    | ENABLE    | 0 = Temperature sensor disabled.<br>1 = Temperature sensor enabled.   |                      |
| 14:10 | OFFSET    | The OFFSET setting is used to allow the temperature reading to be normalized among multiple temperature sensors. Values from 00h to 1Eh select the offset value. The valid range is 0°C to +30°C in 1°C steps. If OFFSET is 1Fh, the device automatically uses the value written to the OT_WARN_LIMIT command code for the LUT instead of the digitized measured temperature. |                      |
|       |           | <b>OFFSET VALUE</b>   | <b>CONFIGURATION</b> |
|       |           | 00h   | Offset = 0°C         |
|       |           | 01h   | Offset = +1°C        |
|       |           | 02h   | Offset = +2°C        |
|       |           | 1Dh   | Offset = +29°C       |
|       |           | 1Eh   | Offset = +30°C       |
| 1Fh   | Test Mode |   |                      |
| 9:1   | 0         | These bits always return a 0.   |                      |
| 0     | FAN       | 0 = Temperature sensor is <b>not used</b> to control fan speed.<br>1 = Temperature sensor is <b>used</b> to control fan speed.  |                      |

MAX34441

# PMBus 5-Channel Power-Supply Manager and Intelligent Fan Controller

## MFR\_FAN\_CONFIG (F1h)

The MFR\_FAN\_CONFIG command is used with FAN\_CONFIG\_1\_2 to configure the fan. See the FAN\_CONFIG\_1\_2 description for more details on this command. Table 32 described the MFR\_FAN\_CONFIG command.

**Table 32. MFR\_FAN\_CONFIG**

| BIT   | BIT NAME  | MEANING  |          |                         |                         |               |   |   |   |      |   |   |   |      |   |   |   |       |   |   |   |       |   |   |   |          |   |   |   |          |   |   |   |          |   |   |   |       |
|-------|-----------|--|----------|-------------------------|-------------------------|---------------|---|---|---|------|---|---|---|------|---|---|---|-------|---|---|---|-------|---|---|---|----------|---|---|---|----------|---|---|---|----------|---|---|---|-------|
| 15:13 | FREQ[2:0] | The FREQ bits set the PWM frequency. <b>Note:</b> The device does not support pulse stretching.  |          |                         |                         |               |   |   |   |      |   |   |   |      |   |   |   |       |   |   |   |       |   |   |   |          |   |   |   |          |   |   |   |          |   |   |   |       |
|       |           | <table border="1"> <thead> <tr> <th>FREQ2</th> <th>FREQ1</th> <th>FREQ0</th> <th>PWM FREQUENCY</th> </tr> </thead> <tbody> <tr> <td>0</td> <td>0</td> <td>0</td> <td>30Hz</td> </tr> <tr> <td>0</td> <td>0</td> <td>1</td> <td>50Hz</td> </tr> <tr> <td>0</td> <td>1</td> <td>0</td> <td>100Hz</td> </tr> <tr> <td>0</td> <td>1</td> <td>1</td> <td>150Hz</td> </tr> <tr> <td>1</td> <td>0</td> <td>0</td> <td>Reserved</td> </tr> <tr> <td>1</td> <td>0</td> <td>1</td> <td>Reserved</td> </tr> <tr> <td>1</td> <td>1</td> <td>0</td> <td>Reserved</td> </tr> <tr> <td>1</td> <td>1</td> <td>1</td> <td>25kHz</td> </tr> </tbody> </table>  | FREQ2    | FREQ1                   | FREQ0                   | PWM FREQUENCY | 0 | 0 | 0 | 30Hz | 0 | 0 | 1 | 50Hz | 0 | 1 | 0 | 100Hz | 0 | 1 | 1 | 150Hz | 1 | 0 | 0 | Reserved | 1 | 0 | 1 | Reserved | 1 | 1 | 0 | Reserved | 1 | 1 | 1 | 25kHz |
|       |           | FREQ2  | FREQ1    | FREQ0                   | PWM FREQUENCY           |               |   |   |   |      |   |   |   |      |   |   |   |       |   |   |   |       |   |   |   |          |   |   |   |          |   |   |   |          |   |   |   |       |
|       |           | 0  | 0        | 0                       | 30Hz                    |               |   |   |   |      |   |   |   |      |   |   |   |       |   |   |   |       |   |   |   |          |   |   |   |          |   |   |   |          |   |   |   |       |
|       |           | 0  | 0        | 1                       | 50Hz                    |               |   |   |   |      |   |   |   |      |   |   |   |       |   |   |   |       |   |   |   |          |   |   |   |          |   |   |   |          |   |   |   |       |
|       |           | 0  | 1        | 0                       | 100Hz                   |               |   |   |   |      |   |   |   |      |   |   |   |       |   |   |   |       |   |   |   |          |   |   |   |          |   |   |   |          |   |   |   |       |
|       |           | 0  | 1        | 1                       | 150Hz                   |               |   |   |   |      |   |   |   |      |   |   |   |       |   |   |   |       |   |   |   |          |   |   |   |          |   |   |   |          |   |   |   |       |
|       |           | 1  | 0        | 0                       | Reserved                |               |   |   |   |      |   |   |   |      |   |   |   |       |   |   |   |       |   |   |   |          |   |   |   |          |   |   |   |          |   |   |   |       |
| 1     | 0         | 1  | Reserved |                         |                         |               |   |   |   |      |   |   |   |      |   |   |   |       |   |   |   |       |   |   |   |          |   |   |   |          |   |   |   |          |   |   |   |       |
| 1     | 1         | 0  | Reserved |                         |                         |               |   |   |   |      |   |   |   |      |   |   |   |       |   |   |   |       |   |   |   |          |   |   |   |          |   |   |   |          |   |   |   |       |
| 1     | 1         | 1  | 25kHz    |                         |                         |               |   |   |   |      |   |   |   |      |   |   |   |       |   |   |   |       |   |   |   |          |   |   |   |          |   |   |   |          |   |   |   |       |
| 12    | 0         | This bit always returns a 0.   |          |                         |                         |               |   |   |   |      |   |   |   |      |   |   |   |       |   |   |   |       |   |   |   |          |   |   |   |          |   |   |   |          |   |   |   |       |
| 11:10 | HYS[1:0]  | The HYS bits determine the amount of hysteresis the device uses to determine how far the temperature must fall below the temperature level threshold programmed in the LUT before switching to the lower PWM/RPM value. The hysteresis should be set lower than the minimum difference between two adjacent temperature steps. These bits are ignored if automatic fan control is disabled.  |          |                         |                         |               |   |   |   |      |   |   |   |      |   |   |   |       |   |   |   |       |   |   |   |          |   |   |   |          |   |   |   |          |   |   |   |       |
|       |           | <table border="1"> <thead> <tr> <th>HSY1</th> <th>HSY0</th> <th>THERMAL HYSTERESIS (°C)</th> </tr> </thead> <tbody> <tr> <td>0</td> <td>0</td> <td>2</td> </tr> <tr> <td>0</td> <td>1</td> <td>4</td> </tr> <tr> <td>1</td> <td>0</td> <td>6</td> </tr> <tr> <td>1</td> <td>1</td> <td>8</td> </tr> </tbody> </table>  | HSY1     | HSY0                    | THERMAL HYSTERESIS (°C) | 0             | 0 | 2 | 0 | 1    | 4 | 1 | 0 | 6    | 1 | 1 | 8 |       |   |   |   |       |   |   |   |          |   |   |   |          |   |   |   |          |   |   |   |       |
|       |           | HSY1   | HSY0     | THERMAL HYSTERESIS (°C) |                         |               |   |   |   |      |   |   |   |      |   |   |   |       |   |   |   |       |   |   |   |          |   |   |   |          |   |   |   |          |   |   |   |       |
|       |           | 0  | 0        | 2                       |                         |               |   |   |   |      |   |   |   |      |   |   |   |       |   |   |   |       |   |   |   |          |   |   |   |          |   |   |   |          |   |   |   |       |
|       |           | 0  | 1        | 4                       |                         |               |   |   |   |      |   |   |   |      |   |   |   |       |   |   |   |       |   |   |   |          |   |   |   |          |   |   |   |          |   |   |   |       |
| 1     | 0         | 6  |          |                         |                         |               |   |   |   |      |   |   |   |      |   |   |   |       |   |   |   |       |   |   |   |          |   |   |   |          |   |   |   |          |   |   |   |       |
| 1     | 1         | 8  |          |                         |                         |               |   |   |   |      |   |   |   |      |   |   |   |       |   |   |   |       |   |   |   |          |   |   |   |          |   |   |   |          |   |   |   |       |
| 9     | TSFO      | <p>0 = Ramp to 100% PWM duty cycle if temp sensor faults (automatic fan mode) or if no FAN_COMMAND_1 update occurs (manual fan mode) in any 10s period.</p> <p>1 = Temp sensor fault or update rate to FAN_COMMAND_1 is ignored. Operate at the last updated PWM/RPM value.</p> <p><b>Note 1:</b> A temp sensor fault is a faulty temperature sensor reading, not an overtemperature fault.</p> <p><b>Note 2:</b> In automatic fan mode, if the TSFO bit is set to 1, the device ignores a sensor fault and uses the remaining assigned temperature sensors (if any) to control the fan PWM duty cycle; or, if the fan has no available temperature sensors to use, it maintains the last updated PWM/RPM fan value before the fault occurred.</p> |          |                         |                         |               |   |   |   |      |   |   |   |      |   |   |   |       |   |   |   |       |   |   |   |          |   |   |   |          |   |   |   |          |   |   |   |       |
| 8     | TACHO     | <p>0 = Ramp fan to 100% PWM duty cycle if fan fault is detected.</p> <p>1 = Do not ramp fan to 100% PWM duty cycle if fan fault is detected.</p> <p><b>Note:</b> If the fan fault is removed after ramping the PWM to 100% duty cycle, normal fan operation is resumed.</p>  |          |                         |                         |               |   |   |   |      |   |   |   |      |   |   |   |       |   |   |   |       |   |   |   |          |   |   |   |          |   |   |   |          |   |   |   |       |

# PMBus 5-Channel Power-Supply Manager and Intelligent Fan Controller

**Table 32. MFR\_FAN\_CONFIG (continued)**

| BIT | BIT NAME                    | MEANING   |                   |  |  |  |   |
|-----|-----------------------------|---|-------------------|--|--|--|---|
| 7:5 | RAMP[2:0]                   | The RAMP bits select how fast the device ramps the PWM from one duty cycle to another (either up or down). In PWM mode, the following table always applies. In RPM mode, the fan speed is read either every 200ms or 1000ms and when the reported fan speed is within 20% of the target speed, the maximum allowed PWM duty cycle change is set to 1%. In RPM mode, the PWM duty cycle is not changed as long as the fan is within $\pm 5\%$ of the target speed.   |                   |  |  |  |   |
|     |                             | <b>RAMP2</b>  | <b>RAMP1</b>      | <b>RAMP0</b>                             | <b>PWM DUTY CYCLE UPDATE RATE (ms)</b> | <b>MAX PWM DUTY CYCLE CHANGE ALLOWED (%)</b> | <b>TIME TO RAMP FROM 40% TO 100% PWM DUTY CYCLE (seconds)</b> |
|     |                             | 0   | 0                 | 0  | 1000                                   | 1  | 60  |
|     |                             | 0   | 0                 | 1  | 1000                                   | 2  | 30  |
|     |                             | 0   | 1                 | 0  | 1000                                   | 3  | 20  |
|     |                             | 0   | 1                 | 1  | 200                                    | 1  | 12  |
|     |                             | 1   | 0                 | 0  | 200                                    | 2  | 6   |
|     |                             | 1   | 0                 | 1  | 200                                    | 3  | 4   |
| 1   | 1                           | 0   | 200               | 4  | 3                                      |  |   |
| 1   | 1                           | 1   | 200               | 5  | 2.4                                    |  |   |
| 4   | 0                           | This bit always returns a 0.  |                   |  |  |  |   |
| 3   | ROTOR_HI_LO                 | Determines if a locked rotor indication is active low or active high. This bit is ignored if ROTOR = 0.<br>0 = ROTOR is active low (TACH input is low if the rotor stops).<br>1 = ROTOR is active high (TACH input is high if the rotor stops).   |                   |  |  |  |   |
| 2   | ROTOR                       | The ROTOR bit selects if the fan does not have a tachometer but rather a stalled (or locked) rotor output.  |                   |  |  |  |   |
|     |                             | <b>ROTOR</b>  | <b>FAN OUTPUT</b> | <b>MAX34441 CONFIGURATION</b>            |  |  |   |
|     |                             | 0   | Tachometer        | TACH input expects fan RPM               |  |  |   |
| 1   | Stalled/locked rotor detect | TACH input expects locked rotor signal. The polarity is selected with the ROTOR_HI_LO bit (also set MFR_FAN_FAULT_LIMIT = 0001h).   |                   |  |  |  |   |
| 1:0 | SPIN[1:0]                   | The SPIN bits determine how the device spins up (or starts) the fan from a dead stop. To overcome the initial mechanical fan inertia, the device can be programmed to drive the fan at 100% duty cycle until a programmable number of fan revolutions (cumulative count) is detected or a locked rotor signal is negated. The device allows a 2s startup period during which the fan speed monitors are disabled. If after 2s the fan does not respond, the PWM output remains at 100% duty cycle (if TACHO = 0) or goes to 0% duty cycle (if TACHO = 1). |                   |  |  |  |   |
|     |                             | <b>SPIN1</b>  | <b>SPIN0</b>      | <b>SPIN-UP RELAXATION CRITERIA</b>       |  |  |   |
|     |                             | 0   | 0                 | Automatic spin-up disabled               |  |  |   |
|     |                             | 0   | 1                 | Two revolutions or locked rotor negated  |  |  |   |
|     |                             | 1   | 0                 | Four revolutions or locked rotor negated |  |  |   |
| 1   | 1                           | Eight revolutions or locked rotor negated   |                   |  |  |  |   |

**Note:** It is recommended that the fan be disabled prior to changing MFR\_FAN\_CONFIG.

# PMBus 5-Channel Power-Supply Manager and Intelligent Fan Controller

## MFR\_FAN\_LUT (F2h)

The MFR\_FAN\_LUT command is used to configure the LUT that controls the fan. The fan has an LUT that maps eight programmable temperature levels to eight programmable fan PWM duty-cycle levels (bit 6 in FAN\_CONFIG\_1\_2 is zero) or eight programmable target fan speeds (bit 6 in FAN\_CONFIG\_1\_2 is one). The LUT allows a wide variety of profiles to be used.

**USER NOTE:** The programmable configuration of MFR\_FAN\_LUT must be monotonic.

**Table 33. MFR\_FAN\_LUT**

| BYTE NUMBER | WORD NAME    | MEANING                                     |
|-------------|--------------|---|
| 0-1         | TEMP STEP 0  | Temperature for step 0.                     |
| 2-3         | SPEED STEP 0 | Fan PWM duty cycle or fan speed for step 0. |
| 4-5         | TEMP STEP 1  | Temperature for step 1.                     |
| 6-7         | SPEED STEP 1 | Fan PWM duty cycle or fan speed for step 1. |
| 8-9         | TEMP STEP 2  | Temperature for step 2.                     |
| 10-11       | SPEED STEP 2 | Fan PWM duty cycle or fan speed for step 2. |
| 12-13       | TEMP STEP 3  | Temperature for step 3.                     |
| 14-15       | SPEED STEP 3 | Fan PWM duty cycle or fan speed for step 3. |
| 16-17       | TEMP STEP 4  | Temperature for step 4.                     |
| 18-19       | SPEED STEP 4 | Fan PWM duty cycle or fan speed for step 4. |
| 20-21       | TEMP STEP 5  | Temperature for step 5.                     |
| 22-23       | SPEED STEP 5 | Fan PWM duty cycle or fan speed for step 5. |
| 24-25       | TEMP STEP 6  | Temperature for step 6.                     |
| 26-27       | SPEED STEP 6 | Fan PWM duty cycle or fan speed for step 6. |
| 28-29       | TEMP STEP 7  | Temperature for step 7.                     |
| 30-31       | SPEED STEP 7 | Fan PWM duty cycle or fan speed for step 7. |

## TEMPERATURE STEP: Temperature Level Setting

The TEMPERATURE STEP sets the temperature in degrees Celsius and represents a threshold level at which the device updates the fan PWM duty cycle setting. The 2 data bytes are in DIRECT format. The valid temperature range depends on the temperature sensor.

**Table 34. Valid Temperature Range**

| TEMPERATURE SENSOR                                 | VALID RANGE     |
|--|-----------------|
| Page 6: Internal Temp Sensor                       | -40°C to +85°C  |
| Pages 7 to 10: I <sup>2</sup> C Remote Temp Sensor | -55°C to +125°C |
| Page 11: Remote Thermal Diode Temp Sensor          | -40°C to +120°C |



# PMBus 5-Channel Power-Supply Manager and Intelligent Fan Controller

## FAN SPEED STEP: Fan PWM Duty Cycle or Fan Speed Setting

If bit 6 in FAN\_CONFIG\_1\_2 is set to zero, the FAN SPEED STEP sets the fan PWM duty cycle at each temperature step breakpoint. The valid duty cycle range is 0 to 100 (inclusive). Any values greater than 100 (decimal) result in 100% PWM duty cycle being generated, and any values less than 0 (decimal) result in 0% PWM duty cycle.

If bit 6 in FAN\_CONFIG\_1\_2 is set to 1, the FAN SPEED STEP sets the fan target speed (in RPM) at each temperature step breakpoint. The valid fan speed range is 0 to 32,767 (inclusive).

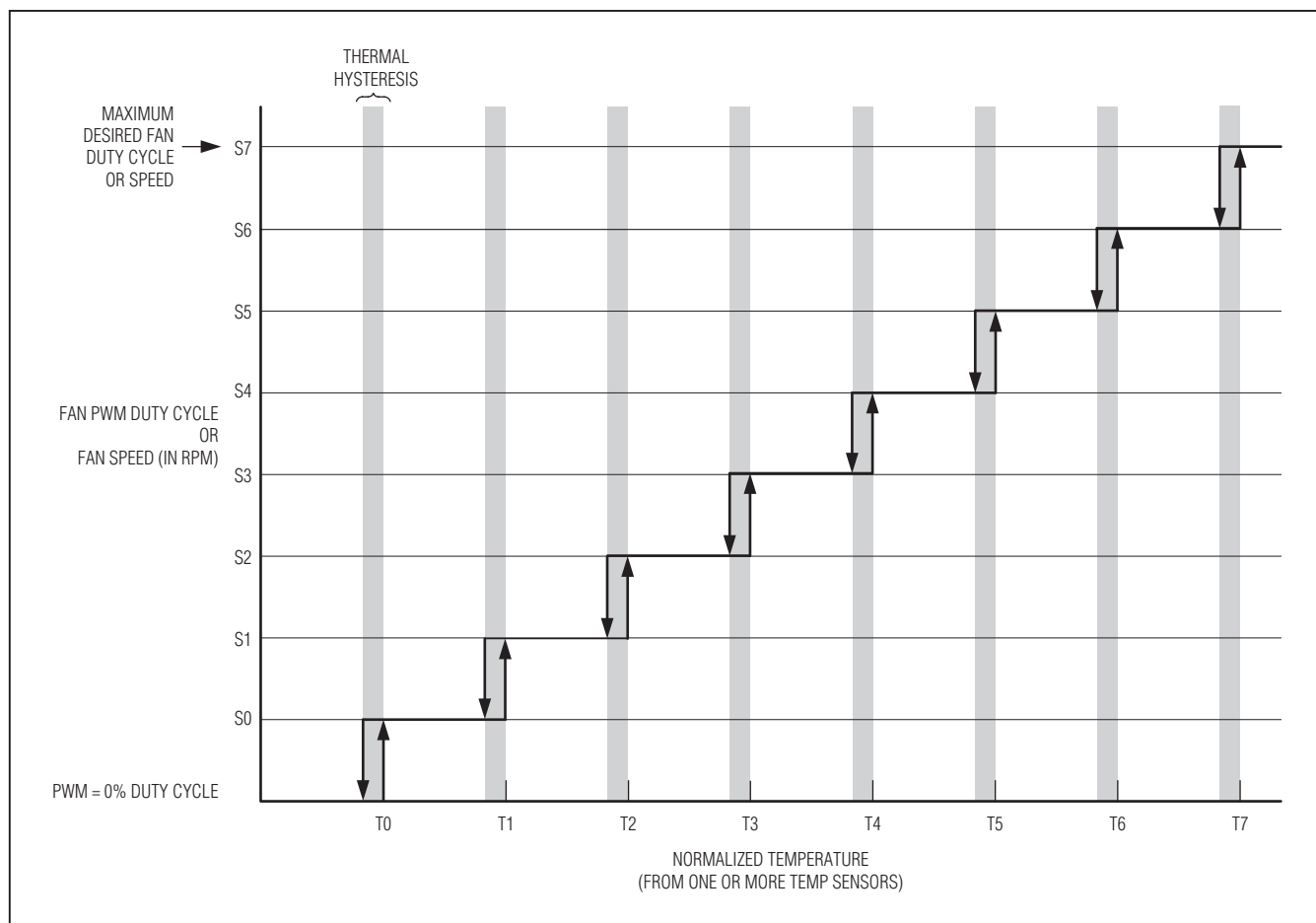


Figure 6. Fan Lookup Table (LUT) Format

# PMBus 5-Channel Power-Supply Manager and Intelligent Fan Controller

## **MFR\_READ\_FAN\_PWM (F3h)**

The MFR\_READ\_FAN\_PWM command returns the latest real-time value for the fan PWM in % duty cycle. MFR\_READ\_FAN\_PWM is updated whenever the PWM duty cycle is updated. This is determined by the RATE bits in MFR\_FAN\_CONFIG. The 2 data bytes are in DIRECT format.

## **MFR\_FAN\_FAULT\_LIMIT (F5h)**

The MFR\_FAN\_FAULT\_LIMIT command sets the value of the fan speed (in RPM) or percentage of target fan speed that causes a fan fault. Fans operating below these limits for over 10s continuous trip the fault. When the fan is operating in RPM mode, the 10s checking period starts after the device has completed a PWM ramp of the fan speed.

The slowest tachometer signal the device can measure for a fan is 60 RPM. In dual tachometer applications, the slowest RPM is 360. Tachometer signals slower than these minimums are reported as 0 RPM. Fault and warning limits should be set to RPM values greater than these minimum RPM limits.

The 2 data bytes are in DIRECT format. Set to 0000h to disable the limit checking. Set to 0001h to only alarm when the tachometer input is locked for greater than 10s (this mode should be used when the fan only has a locked rotor output). In response to violation of the MFR\_FAN\_FAULT\_LIMIT or if a stalled/locked rotor is detected, the device does the following:

- 1) Sets the NONE OF THE ABOVE bit in STATUS\_BYTE.
- 2) Sets the NONE OF THE ABOVE and FANS bits in STATUS\_WORD.
- 3) Sets the FAN\_1\_FAULT bit in STATUS\_FANS\_1\_2.
- 4) Responds as specified in the MFR\_FAULT\_RESPONSE.
- 5) Notifies the host using  $\overline{\text{ALERT}}$  assertion (if enabled in MFR\_MODE).

**USER NOTE: For proper fan operation, MFR\_FAN\_FAULT\_LIMIT must be configured.**

## **MFR\_FAN\_WARN\_LIMIT (F6h)**

The MFR\_FAN\_WARN\_LIMIT command sets the value of the fan speed (in RPM) or percentage of target fan speed that causes a fan speed warning. Fans operating below these limits for over 10s continuous trip the warning. When the fan is operating in RPM mode, the 10s checking period starts after the device has completed a PWM ramp of the fan speed.

Normally, the MFR\_FAN\_WARN\_LIMIT is set higher than the MFR\_FAN\_FAULT\_LIMIT. The 2 data bytes are in DIRECT format. Set to 0000h to disable the limit checking. Set to 0001h to generate a warning when using a locked rotor fan. In response to violation of the MFR\_FAN\_WARN\_LIMIT, the device does the following:

- 1) Sets the NONE OF THE ABOVE bit in STATUS\_BYTE.
- 2) Sets the NONE OF THE ABOVE and FANS bits in STATUS\_WORD.
- 3) Sets the FAN\_1\_WARN bit in STATUS\_FANS\_1\_2.
- 4) Notifies the host using  $\overline{\text{ALERT}}$  assertion (if enabled in MFR\_MODE).

**Table 35. Monitored Fan Fault and Warning Parameters**

| FAN CONTROL MODE | LIMIT PARAMETER                           | COMPARISON INTERVAL   |
|------------------|---|-----------------------|
| Manual PWM       | Fan speed (in RPM)                        | Checked once a second |
| Manual RPM       | Percentage of programmed target fan speed | Checked once a second |
| Automatic PWM    | Fan speed (in RPM)                        | Checked once a second |
| Automatic RPM    | Percentage of LUT target fan speed        | Checked once a second |

# **PMBus 5-Channel Power-Supply Manager and Intelligent Fan Controller**

## **Applications Information**

### **Power-Supply Decoupling**

To achieve the best results when using the device, decouple the V<sub>DD</sub> power supply with a 0.1μF capacitor. Use a high-quality, ceramic, surface-mount capacitor if possible. Surface-mount components minimize lead inductance, which improves performance, and ceramic capacitors tend to have adequate high-frequency response for decoupling applications.

Decouple the REG25 and REG18 regulator outputs using 1μF and 10nF capacitors (one each per output).

### **Open-Drain Pins**

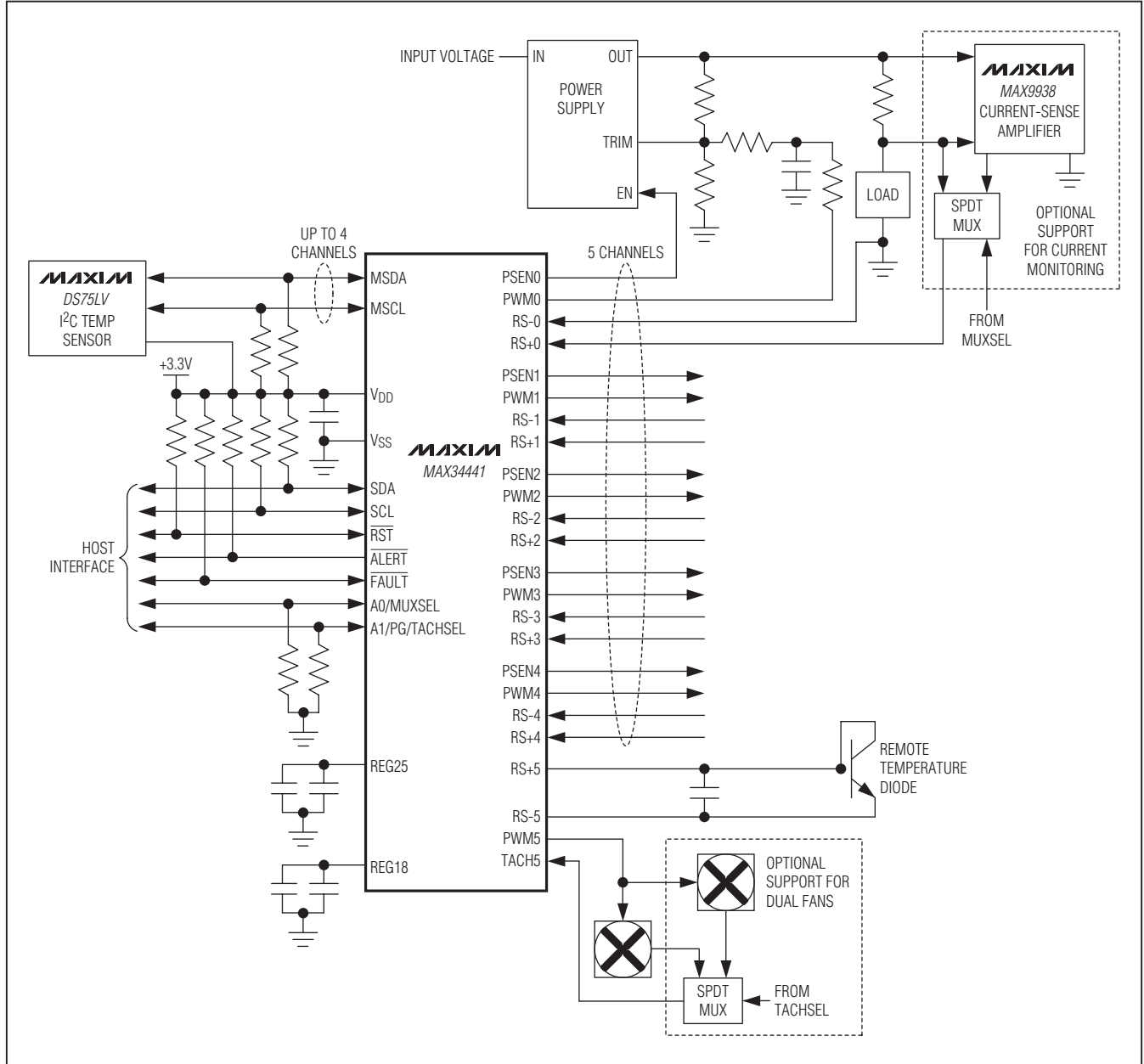
MSDA, MSCL, SCL, SDA,  $\overline{\text{FAULT}}$ , and  $\overline{\text{ALERT}}$  are open-drain pins and require external pullup resistors connected to V<sub>DD</sub> to realize high logic levels.

PSEN0 to PSEN4 can be user-configured as either CMOS push-pull or open-drain outputs. When configured as open-drain, external pullup resistors connected to V<sub>DD</sub> are required to realize high logic levels (see the MFR\_MODE settings).

**MAX34441**

# PMBus 5-Channel Power-Supply Manager and Intelligent Fan Controller

## Typical Operating Circuit



## Package Information

For the latest package outline information and land patterns (footprints), go to [www.maxim-ic.com/packages](http://www.maxim-ic.com/packages). Note that a "+", "#", or "-" in the package code indicates RoHS status only. Package drawings may show a different suffix character, but the drawing pertains to the package regardless of RoHS status.

| PACKAGE TYPE | PACKAGE CODE | OUTLINE NO.             | LAND PATTERN NO.        |
|--------------|--------------|-------------------------|-------------------------|
| 40 TQFN-EP   | T4066+2      | <a href="#">21-0141</a> | <a href="#">90-0053</a> |

# PMBus 5-Channel Power-Supply Manager and Intelligent Fan Controller

## Revision History

| REVISION NUMBER | REVISION DATE | DESCRIPTION  | PAGES CHANGED                |
|-----------------|---------------|--|------------------------------|
| 0               | 8/10          | Initial release  | —                            |
| 1               | 1/12          | Changed the lead temperature from +260°C to +300°C in the <i>Absolute Maximum Ratings</i> section; changed the $V_{IL(MIN)}$ and $V_{I2C\_IL(MIN)}$ specs from -0.3V to 0V in the <i>Recommended Operating Conditions</i> table; changed the INL(MAX) spec from $\pm 4$ LSB to $\pm 8$ LSB and removed the DNL parameter in the <i>DC Electrical Characteristics</i> table; changed the 9Bh code default value from 3030h to 3031h in Table 1 and the <i>MFR_REVISION (9Bh)</i> section; updated the third bullet for “Undervoltage” in Table 5; changed reference of “POWER_GOOD_ON voltage at startup” to “VOUT_UV_FAULT for the first time” in the <i>VOUT_UV_WARN_LIMIT (43h)</i> and <i>VOUT_UV_FAULT_LIMIT (44h)</i> sections; updated the <i>POWER_GOOD_OFF (5Fh)</i> section; added “and FANS bits” to number 2 condition in the <i>MFR_FAN_WARN_LIMIT (F6h)</i> section | 6, 7, 15, 21, 32, 34, 38, 50 |

**MAX34441**

Maxim cannot assume responsibility for use of any circuitry other than circuitry entirely embodied in a Maxim product. No circuit patent licenses are implied. Maxim reserves the right to change the circuitry and specifications without notice at any time.

**Maxim Integrated Products, 120 San Gabriel Drive, Sunnyvale, CA 94086 408-737-7600** \_\_\_\_\_ **53**