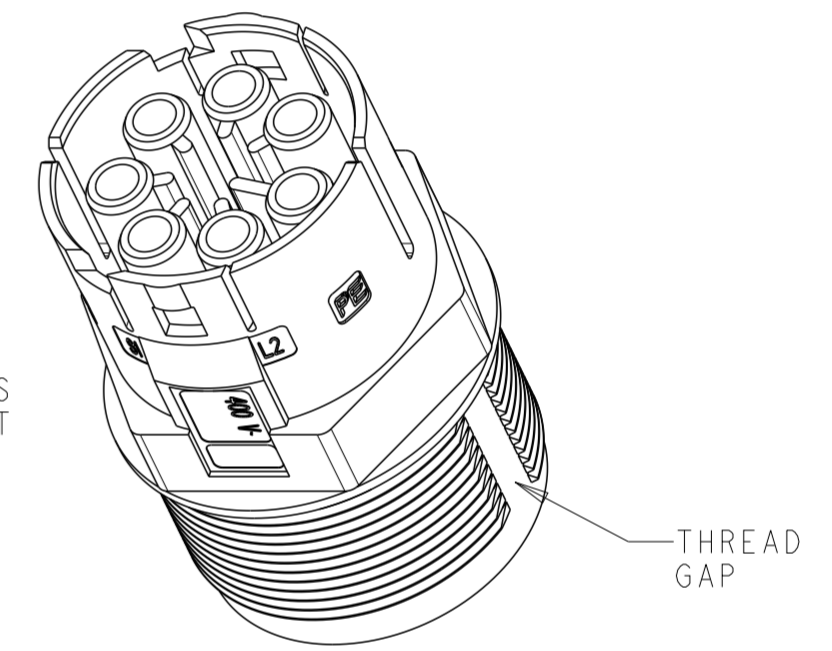
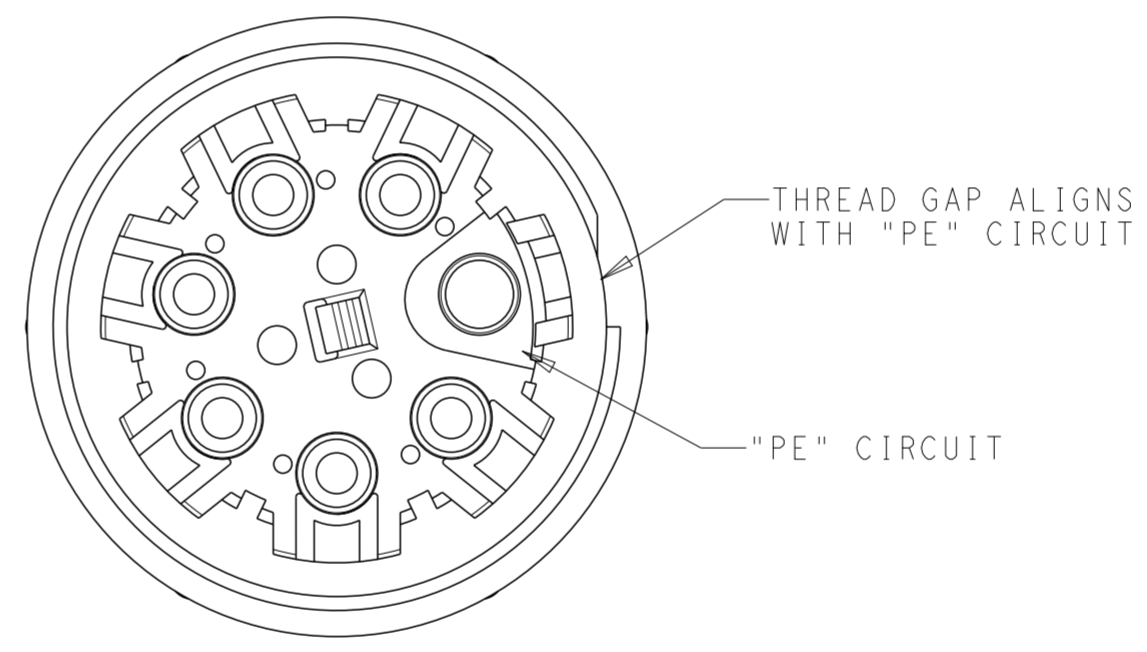
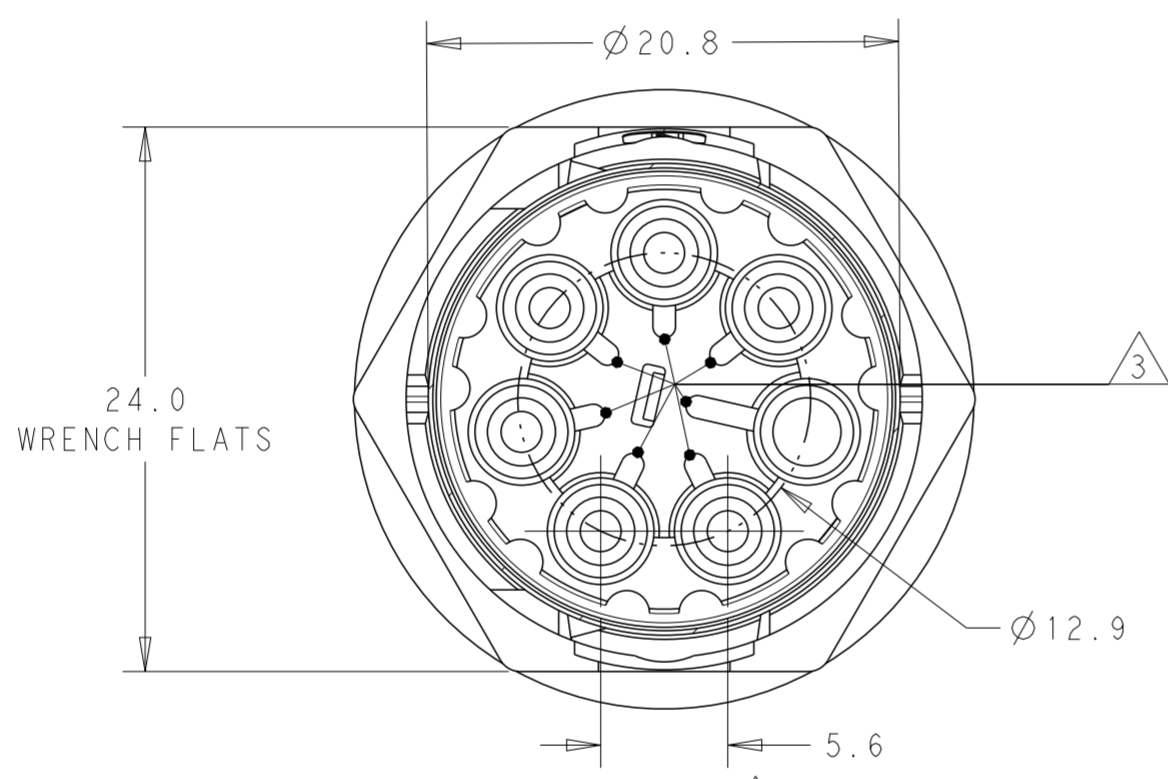
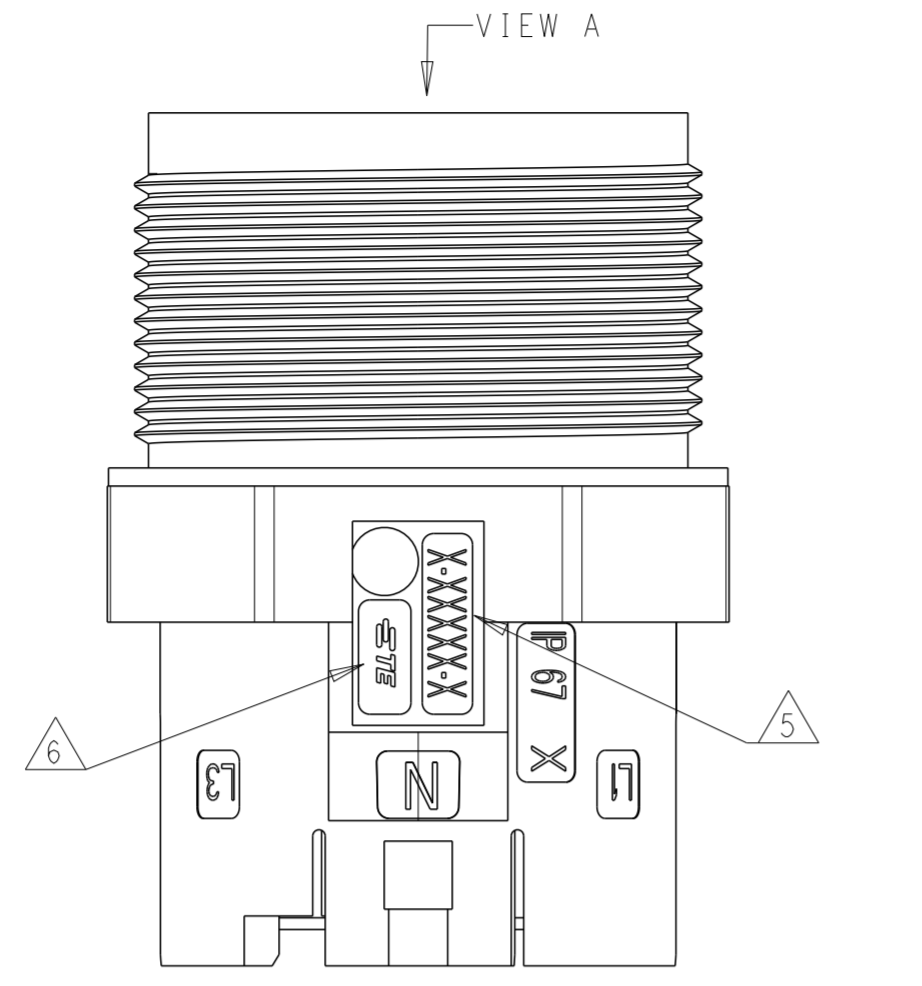


THIS DRAWING IS UNPUBLISHED. RELEASED FOR PUBLICATION 20
 © COPYRIGHT 20 BY - ALL RIGHTS RESERVED.

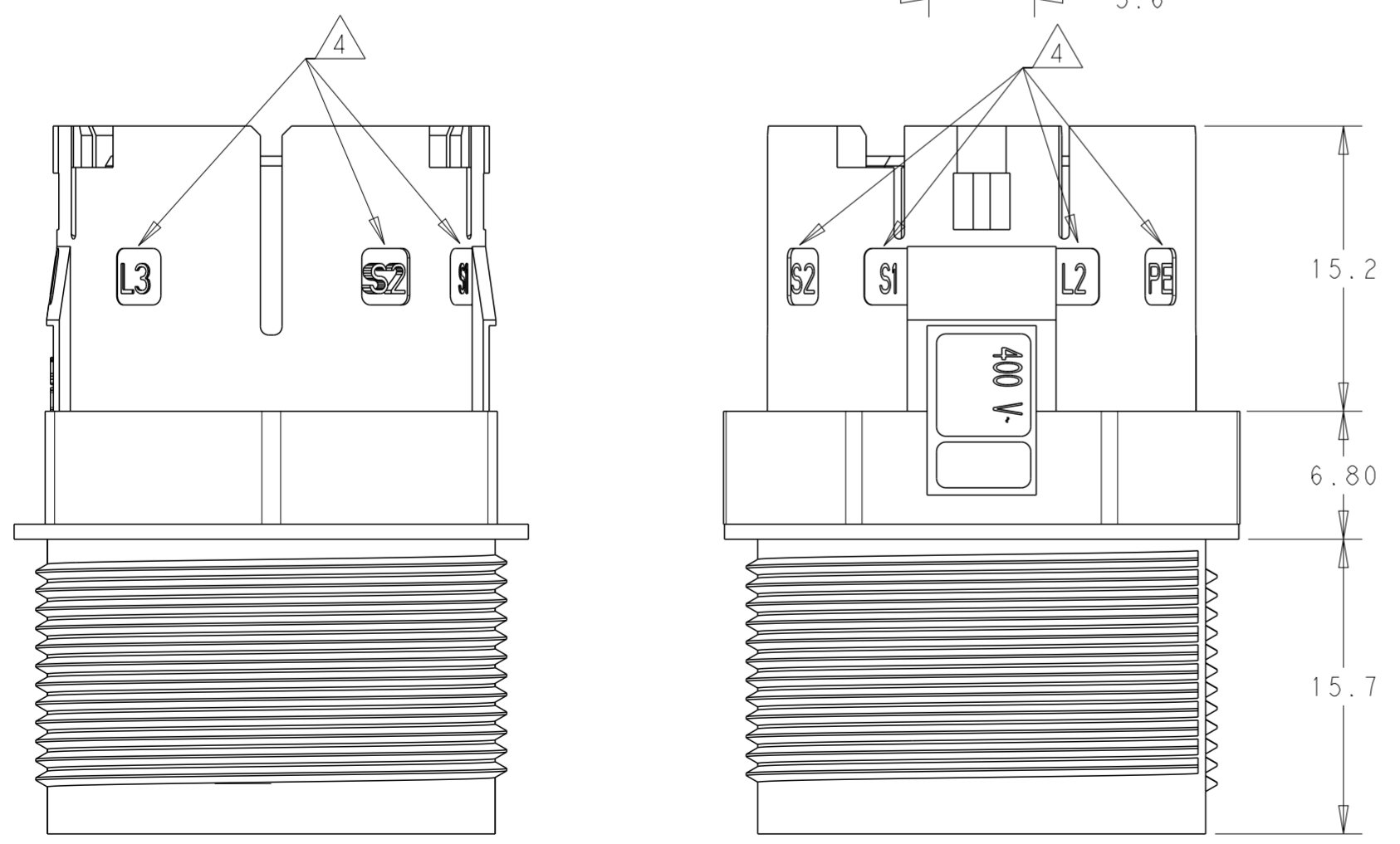
REVISIONS					
P	LTR	DESCRIPTION	DATE	DWN	APVD
A		REVISED AS PER ECR-15-005925	21APR2015	RS	JL
B		REVISED AS PER ECR-16-000859	08MAR2016	RS	JL



NOTES:

1. MATERIAL: GLASS FILLED PBT, COLOR: BLACK
2. MUST COMPLY WITH DIRECTIVE 2002/95/EC (ROHS)
3. ALL POLARIZATION KEYS SHOWN FOR REF ONLY.
4. CIRCUIT I.D.
5. TE PART NUMBER
6. TE LOGO
7. THIS PRODUCT HAS NOT COMPLETED VALIDATION TESTING

VIEW A
SCALE 3:1

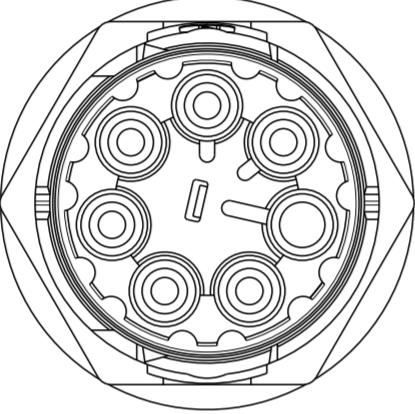
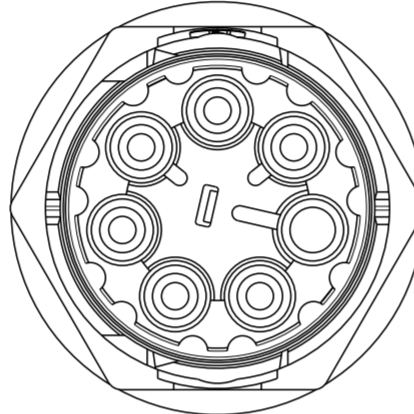
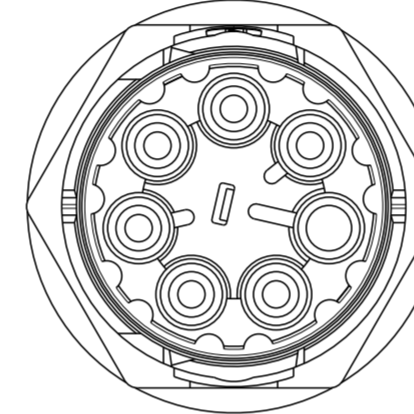
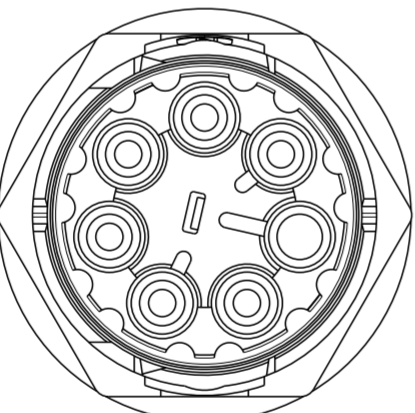
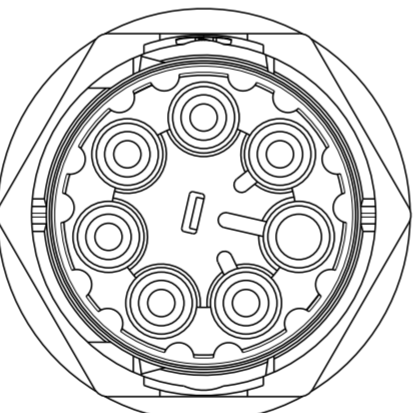



E	FREE HANGING SKT. SEALED NECTOR M, 7 POSN	2213240-5
D	FREE HANGING SKT. SEALED NECTOR M, 7 POSN	2213240-4
C	FREE HANGING SKT. SEALED NECTOR M, 7 POSN	2213240-3
B	FREE HANGING SKT. SEALED NECTOR M, 7 POSN	2213240-2
A	FREE HANGING SKT. SEALED NECTOR M, 7 POSN	2213240-1
POLARIZATION TYPE	DESCRIPTION	PART NUMBER

THIS DRAWING IS A CONTROLLED DOCUMENT.		DWN J. SHAFFER 12NOV2013	TE Connectivity	
DIMENSIONS: mm		CHK M. LUKSIC 12NOV2013		
TOLERANCES UNLESS OTHERWISE SPECIFIED:		APVD M. LUKSIC 12NOV2013		
0 PLC ±	1 PLC ±0.2	PRODUCT SPEC 108-133014	NAME FREE HANGING, SOCKET: SEALED NECTOR M, 7 POSN	
2 PLC ±0.13	3 PLC ±	APPLICATION SPEC 114-32111	SIZE A2	CAGE CODE -
4 PLC ±	ANGLES ±	WEIGHT -	DRAWING NO G-2213240	RESTRICTED TO -
FINISH -	-	CUSTOMER DRAWING	SCALE 2:1	SHEET 1 OF 2
NOTE 1	-			REV B

THIS DRAWING IS UNPUBLISHED. RELEASED FOR PUBLICATION 20
 © COPYRIGHT 20 BY - ALL RIGHTS RESERVED.

REVISIONS				
P	LTR	DESCRIPTION	DATE	APVD
-	-	SEE SHEET 1	-	-

POLARIZATION TYPES		
POLARIZATION TYPE "A"	POLARIZATION TYPE "B"	POLARIZATION TYPE "C"
		
PN: 2213240-1	PN: 2213240-2	PN: 2213240-3
POLARIZATION TYPE "D"	POLARIZATION TYPE "E"	
		
PN: 2213240-4	PN: 2213240-5	

THIS DRAWING IS A CONTROLLED DOCUMENT.		DWN J. SHAFFER 12NOV2013	 TE Connectivity	
DIMENSIONS: mm		CHK M. LUKSIC 12NOV2013		
TOLERANCES UNLESS OTHERWISE SPECIFIED:		APVD M. LUKSIC 12NOV2013	NAME FREE HANGING, SOCKET: SEALED NECTOR M, 7 POSN	
0 PLC ± 1 PLC ±0.2 2 PLC ±0.13 3 PLC ± 4 PLC ± ANGLES ± FINISH		PRODUCT SPEC 108-133014	RESTRICTED TO	
MATERIAL NOTE 1		APPLICATION SPEC 114-32111	SIZE A2	CAGE CODE -
		WEIGHT -	DRAWING NO G-2213240	
		CUSTOMER DRAWING	SCALE 2:1	SHEET 2 OF 2
			REV B	