

**PLEASE CHECK WWW.MOLEX.COM FOR LATEST PART INFORMATION**

**Part Number:** **505073-1100**  
**Status:** **Active**  
**Overview:** TermiMate™ One-Circuit Terminal-Style Connector System  
**Description:** TermiMate™ Crimp Terminal Receptacle, 1.20mm Mated Height

**Documents:**

[Drawing \(PDF\)](#) [Application Specification AS-505071-001 \(PDF\)](#)  
[Product Specification PS-505071-001 \(PDF\)](#) [RoHS Certificate of Compliance \(PDF\)](#)

**General**

Product Family	Crimp Terminals
Series	505073
Application	Signal
Comments	See Product Specification for maximum current rating by wire AWG
Crimp Quality Equipment Overview	Yes
	<a href="#">TermiMate™ One-Circuit Terminal-Style Connector System</a>
Product Name	TermiMate™
UPC	887191571041

**Physical**

Durability (mating cycles max)	20
Gender	Female
Material - Metal	Copper Alloy
Material - Plating Mating	Tin over Nickel
Net Weight	54.000/mg
Packaging Type	Reel
Plating min - Mating	0.406µm
Termination Interface: Style	Crimp or Compression
Wire Insulation Diameter	0.9-1.7mm
Wire Size AWG	22, 24, 26
Wire Size mm²	0.126-0.34

**Electrical**

Current - Maximum per Contact	3.0A
Voltage - Maximum	125V AC (RMS)/DC

**Material Info**

**Reference - Drawing Numbers**

Application Specification	AS-505071-001
Application Tooling Documents	IS-0117E, IS-0117JE, IS-5781406000JE, IS-5781406100JE
Crimp Specification	CS-505073-001
Product Specification	PS-505071-001
Sales Drawing	5781406000, 5781406100, SD-505073-001

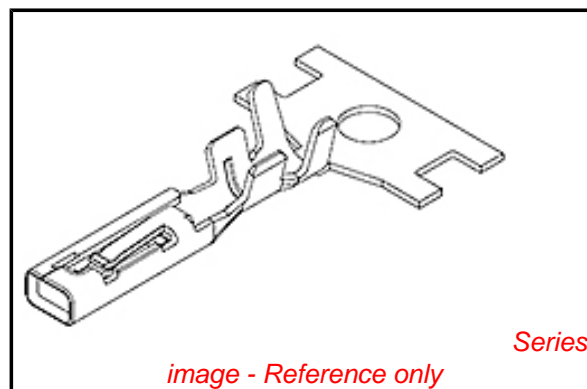


image - Reference only

**EU RoHS**

**ELV and RoHS Compliant**

**REACH SVHC**

Not Reviewed

**Low-Halogen Status**

**Low-Halogen**

**China RoHS**



**Need more information on product environmental compliance?**

Email [productcompliance@molex.com](mailto:productcompliance@molex.com)  
 For a multiple part number RoHS Certificate of Compliance, [click here](#)

Please visit the [Contact Us](#) section for any non-product compliance questions.

**Search Parts in this Series**

505073Series

**Mates With**

TermiMate™ PCB Plug Terminal  
 505071-0101

**Application Tooling | FAQ**

*Tooling specifications and manuals are found by selecting the products below. Crimp Height Specifications are then contained in the Application Tooling Specification document.*

**Global**

Description	Product #
Hand Crimp Tool for TermiMate™ Crimp Terminal Receptacle, 22-26 AWG Wire	<a href="#">0638277500</a>
Hand Crimp Tool for TermiMate™ Crimp Terminal Receptacle, 22-26 AWG Wire	<a href="#">0638277600</a>

This document was generated on 05/06/2015

**PLEASE CHECK [WWW.MOLEX.COM](http://WWW.MOLEX.COM) FOR LATEST PART INFORMATION**