



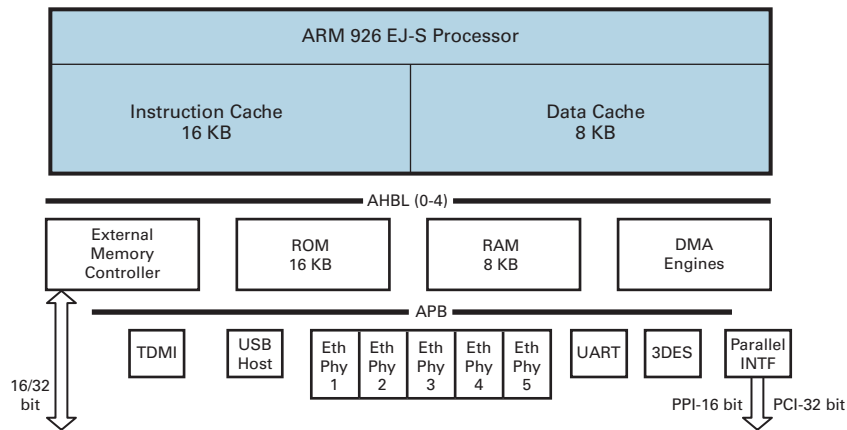
CX8620x Features and Versions

Features

- 180 MHz ARM923EJS-based processor
- 16 KB of I-Cache and 8 KB of D-Cache
- 5 integrated Ethernet ports with Auto MDIX support
- PCI interface
- Supports up to 16 MB of Flash and 64 MB of SDRAM
- Embedded UART interface for external modem applications
- TDMI interface for VoIP

Versions

- CX86202 for a wide range of home networking applications including wired and wireless gateways, printer servers, home storage, virtual private networks and Voice over IP in a 292-pin BGA
- CX86201 for basic wired and wireless gateways in a 233-pin BGA with a PCI interface



CX8620x Architecture Diagram

© 2004, Conexant Systems, Inc. All Rights Reserved. Conexant and the Conexant logo are trademarks of Conexant Systems, Inc. All other trademarks are owned by their respective owners. Although Conexant strives for accuracy in all its publications, this material may contain errors or omissions and is subject to change without notice. **THIS MATERIAL IS PROVIDED AS IS AND WITHOUT ANY EXPRESS OR IMPLIED WARRANTIES, INCLUDING MERCHANTABILITY, FITNESS FOR A PARTICULAR PURPOSE AND NON-INFRINGEMENT.** Conexant shall not be liable for any special, indirect, incidental or consequential damages as a result of its use.

www.conexant.com
 General Information:
 U.S. and Canada: (800) 854-8099
 International: (949) 483-6996
 Headquarters – Newport Beach
 4000 MacArthur Blvd, P.O. Box C
 Newport Beach, CA 92660-3095
 Order# 102329A

