

### CSE5-100501

#### Description:

EE5 Surface mounting design  
 Height: 5.3mm Max  
 Optimal performance at 250 kHz and above  
 Primary Current Rating: 10 amps  
 Insulation Resistance: 10MΩ Minimum  
 Operating Temperature Range: -15°C to +105°C  
 Custom designs available

#### Application:

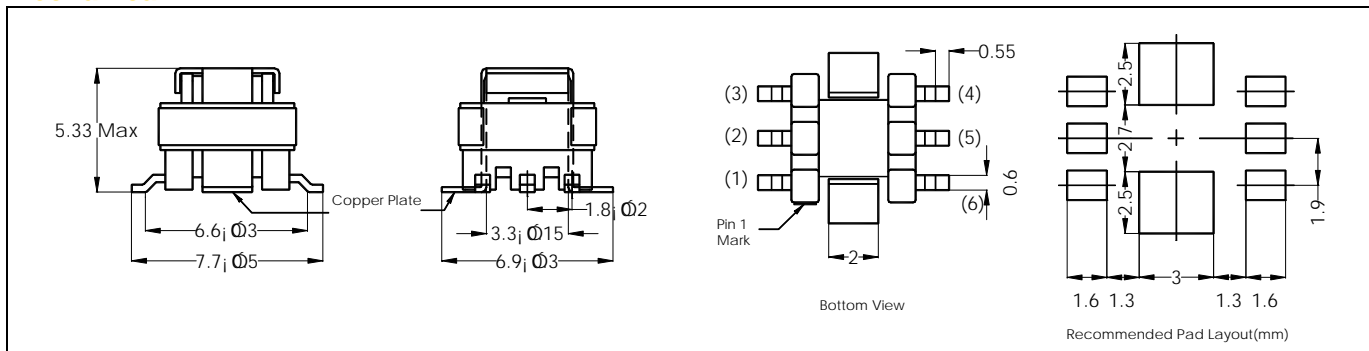
Ac current detection  
 Output supply for control circuit  
 Switching Power Supply



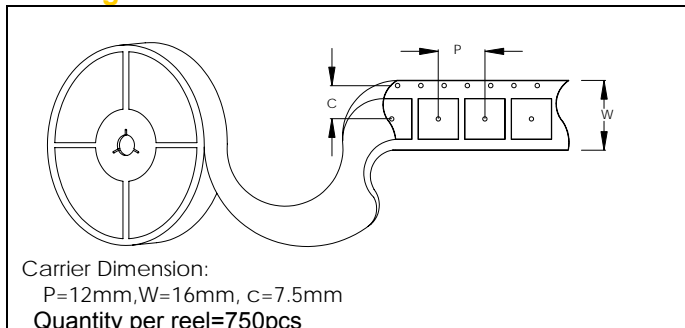
#### Electrical Specifications @ 25C

Turns N1:N2	Secondary Min Inductance (μH)	Secondary Max DCR (mΩ)	Color Code	
			Dot	Tape
1:50	500	1500	BLU	BLU

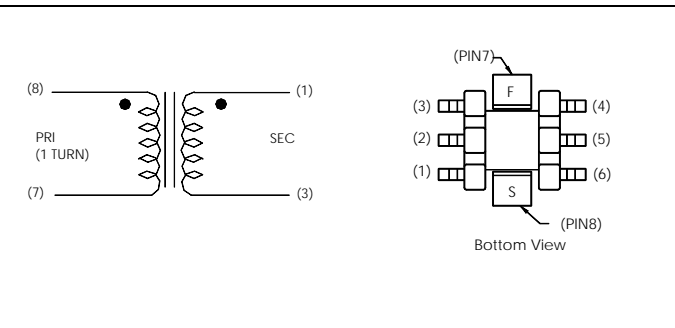
#### Mechanical:



#### Packing:



#### Schematic:



**RoHS Compliance:** As of manufacturing date February 2005, all standard products meet the requirements of 2002/95/EC, known as the RoHS initiative.

\*Upon printing, this document is considered "uncontrolled". Please contact Triad Magnetics' website for the most current version.

# Mouser Electronics

Authorized Distributor

Click to View Pricing, Inventory, Delivery & Lifecycle Information:

[Triad Magnetics:](#)

[CSE5-100501](#)