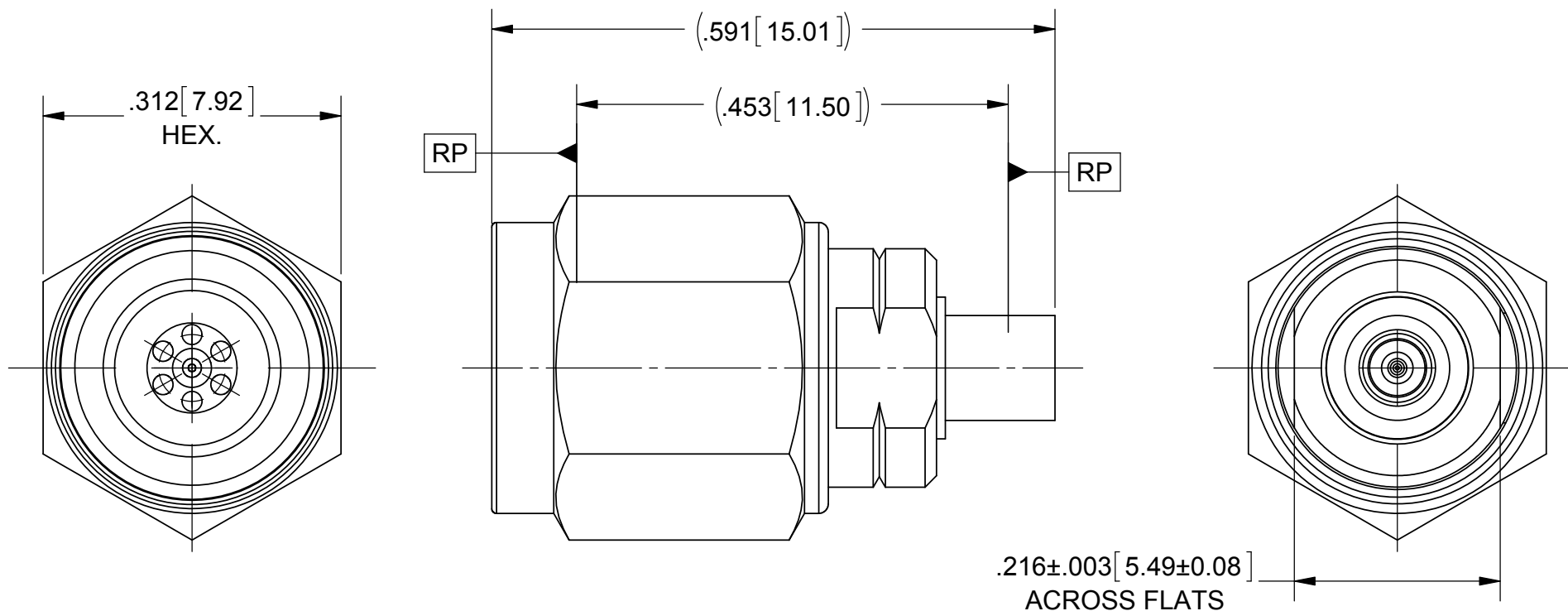


# PRODUCT DATA DRAWING

REVISION HISTORY			
REV	DESCRIPTION	DATE	APPROVED
-	DCN 38390	07/11	STW
A	DCN 41679	09/15	STW



**MATERIAL:**

**BODY & COUPLING NUT:** STAINLESS STEEL PER AMS-5640, ALLOY UNS S30300, TYPE 1

**LOCK RING & CONTACT:** BERYLLIUM COPPER PER ASTM B196, ALLOY No. UNS C17300, TD04

**INSULATOR:** ULTEM 1000

**FINISH:**

**BODY & COUPLING NUT:** PASSIVATED PER AMS-2700

**CONTACT:** GOLD PER ASTM B488, TYPE II, CODE C, CLASS 1.27, OVER NICKEL PER AMS-QQ-N-290, CLASS 1, .00005" MIN.

**PERFORMANCE:**

**IMPEDANCE:** 50 OHMS

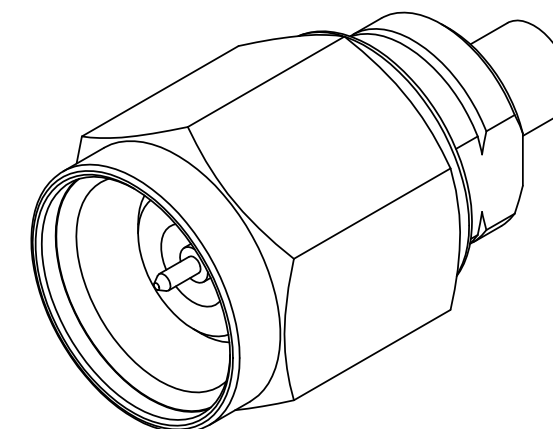
**FREQ. RANGE:** DC TO 50.0 GHz

**VSWR:** 1.20:1 DC TO 26.5 GHz  
1.30:1 26.5 TO 50.0 GHz

**INSERTION LOSS:** .03 X SQRT(F(F IN GHz))

**DWV:** 250 VRMS

**OPERATING TEMP.:** -55°C TO +165°C



MATERIAL: SEE NOTES	DIMENSIONS ARE IN INCHES TOLERANCES: FRACTIONAL: ±1/64 ANGULAR: X° ±1'0" X"X' ±15'	UNLESS OTHERWISE SPECIFIED 1) ALL DIMENSIONS ARE IN INCHES (MILLIMETERS) 2) ALL DIMENSIONS ARE AFTER PLATING. 3) BREAK CORNERS & EDGES .005 R. MAX. 4) CHAM. 1ST & LAST THREADS. 5) SURFACE ROUGHNESS 63-MIL-STD-10. 6) DIA.'S ON COMMON CENTERS TO BE CONCENTRIC WITHIN .005 T.I.R. 7) REMOVE ALL BURRS	<b>SV Microwave, Inc.</b> 2400 Centrepark West Drive, Suite 100 West Palm Beach, FL 33409
FINISH: SEE NOTES	DECIMAL: X ±.030 .XX ±.010 .XXX ±.005	INTERPRET DIMENSIONS AND TOLERANCES PER ASME Y14.5M - 1994	TITLE: <b>2.4mm PLUG TO SMPS FD PLUG STRAIGHT ADAPTER</b>
SURFACE AREA: N/A	THIRD ANGLE PROJECTION	DRAWN: FED 07/19/11	SIZE: <b>B</b> CAGE CODE: <b>95077</b> DWG. NO.: <b>SF1116-6024</b>
PROPRIETARY THE INFORMATION CONTAINED IN THIS DRAWING IS THE SOLE PROPERTY OF SV MICROWAVE, INC. ANY REPRODUCTION IN PART OR AS A WHOLE WITHOUT THE WRITTEN PERMISSION OF SV MICROWAVE, INC IS PROHIBITED.		CHECKED: STW 07/19/11 APPROVED: STW 07/19/11	SCALE: 6:1 SHEET 1 OF 1