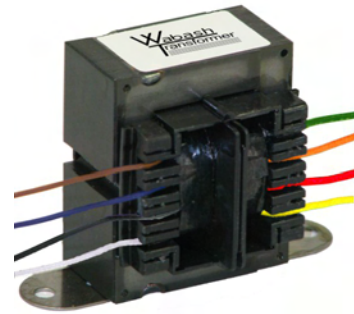


International Power Transformer

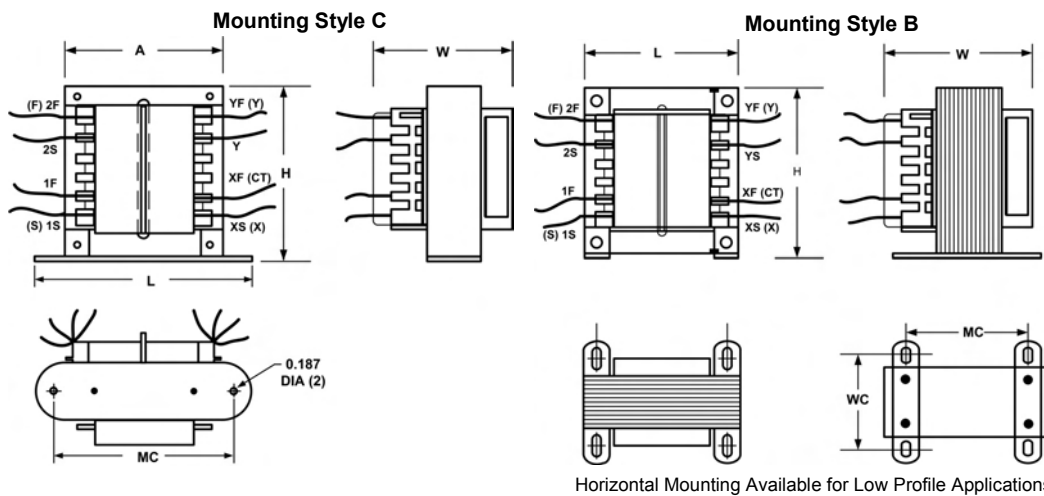
Series: VDE - Lead Wires

- Power Rating 25VA to 175VA
- Single or Dual Primary, 115V, 230V or 115/230V
- Frequency 50/60Hz
- Series or Parallel Secondary
- Dielectric Strength – 4000 Vrms
- Insulation Class F (155°C)
- Flammability Rating – Bobbin/Shroud UL94V0 or 94H-B

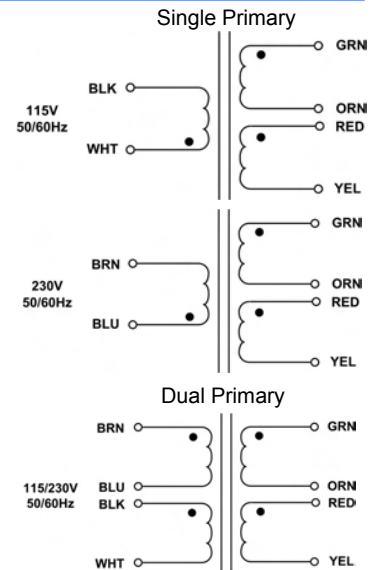


Agency Approvals:

- UL/cUL 5085-2 Recognized (File E47299)
- VDE Licensed (File 40001595)
- UL/cUL 5085-3 Class 2 Recognized (File E49606)
- Insulation File No. E95662



Horizontal Mounting Available for Low Profile Applications



• Indicates Like Polarity

Primaries and Secondaries are designed to be used simultaneously. That is, they must be used either series or parallel connected (as one winding). Same applies to secondaries also.

VA Rating	Dimensions (Inches)							Weight lbs
	L	W	H	A	Mtg. Style	MC	WC	
25	2.81	2.14	2.31	1.95	C	2.38	-	1.25
43	3.12	2.14	2.68	2.25	C	2.81	-	1.60
80	2.50	2.50	3.00	-	B	2.00	2.50	2.80
100	2.81	3.00	3.37	-	B	2.25	2.50	4.10
130	2.81	3.00	3.37	-	B	2.25	2.50	4.10
150	3.12	3.12	3.75	-	B	2.50	2.50	5.50
175	3.12	3.12	3.75	-	B	2.50	2.50	5.50

Any application, Any requirement, Contact us for our Custom Designs



Series: VDE - Lead Wires

Partial Selection Guide

All models are VDE approved

VA	Part Number			Secondary		Class 2
	115/230V	115V	230V	Series	Parallel	
25	VDE-25L-10	VDE1-25L-10	VDE2-25L-10	10VCT @ 2.50A	5V @ 5.00A	✓
	VDE-25L-126	VDE1-25L-126	VDE2-25L-126	12.6VCT @ 1.98A	6.3V @ 3.96A	✓
	VDE-25L-16	VDE1-25L-16	VDE2-25L-16	16VCT @ 1.56A	8V @ 3.12A	✓
	VDE-25L-18	VDE1-25L-18	VDE2-25L-18	18VCT @ 1.39A	9V @ 2.78A	✓
	VDE-25L-20	VDE1-25L-20	VDE2-25L-20	20VCT @ 1.25A	10V @ 2.50A	✓
	VDE-25L-24	VDE1-25L-24	VDE2-25L-24	24VCT @ 1.04A	12V @ 2.08A	✓
	VDE-25L-28	VDE1-25L-28	VDE2-25L-28	28VCT @ 892mA	14V @ 1.78A	-
	VDE-25L-36	VDE1-25L-36	VDE2-25L-36	36VCT @ 694mA	18V @ 1.38A	-
43	VDE-43L-10	VDE1-43L-10	VDE2-43L-10	10VCT @ 4.30A	5V @ 8.60A	-
	VDE-43L-126	VDE1-43L-126	VDE2-43L-126	12.6VCT @ 3.41A	6.3V @ 6.82A	✓
	VDE-43L-16	VDE1-43L-16	VDE2-43L-16	16VCT @ 2.68A	8V @ 5.37A	✓
	VDE-43L-18	VDE1-43L-18	VDE2-43L-18	18VCT @ 2.38A	9V @ 4.76A	✓
	VDE-43L-20	VDE1-43L-20	VDE2-43L-20	20VCT @ 2.15A	10V @ 4.30A	✓
	VDE-43L-24	VDE1-43L-24	VDE2-43L-24	24VCT @ 1.79A	12V @ 3.58A	-
	VDE-43L-28	VDE1-43L-28	VDE2-43L-28	28VCT @ 1.53A	14V @ 3.06A	-
	VDE-43L-36	VDE1-43L-36	VDE2-43L-36	36VCT @ 1.19A	18V @ 2.38A	-
80	VDE-80L-10	VDE1-80L-10	VDE2-80L-10	10VCT @ 8.00A	5V @ 16.00A	-
	VDE-80L-126	VDE1-80L-126	VDE2-80L-126	12.6VCT @ 6.34A	6.3V @ 12.69A	-
	VDE-80L-16	VDE1-80L-16	VDE2-80L-16	16VCT @ 5.00A	8V @ 10.00A	-
	VDE-80L-18	VDE1-80L-18	VDE2-80L-18	18VCT @ 4.44A	9V @ 8.88A	-
	VDE-80L-20	VDE1-80L-20	VDE2-80L-20	20VCT @ 4.00A	10V @ 8.00A	-
	VDE-80L-24	VDE1-80L-24	VDE2-80L-24	24VCT @ 3.33A	12V @ 6.66A	-
	VDE-80L-28	VDE1-80L-28	VDE2-80L-28	28VCT @ 2.85A	14V @ 5.70A	-
	VDE-80L-36	VDE1-80L-36	VDE2-80L-36	36VCT @ 2.22A	18V @ 4.44A	-
100	VDE-100L-10	VDE1-100L-10	VDE2-100L-10	10VCT @ 10.0A	5V @ 20.00A	-
	VDE-100L-126	VDE1-100L-126	VDE2-100L-126	12.6VCT @ 7.93A	6.3V @ 15.8A	-
	VDE-100L-16	VDE1-100L-16	VDE2-100L-16	16VCT @ 6.25A	8V @ 12.50A	-
	VDE-100L-18	VDE1-100L-18	VDE2-100L-18	18VCT @ 5.55A	9V @ 11.11A	-
	VDE-100L-20	VDE1-100L-20	VDE2-100L-20	20VCT @ 5.00A	10V @ 10.00A	-
	VDE-100L-24	VDE1-100L-24	VDE2-100L-24	24VCT @ 4.16A	12V @ 8.33A	-
	VDE-100L-28	VDE1-100L-28	VDE2-100L-28	28VCT @ 3.57A	14V @ 7.14A	-
	VDE-100L-36	VDE1-100L-36	VDE2-100L-36	36VCT @ 2.77A	18V @ 5.55A	-
	VDE-100L-230	VDE1-100L-230	VDE2-100L-230	230VCT @ 434mA	115V @ 869mA	-

Continued...

Any application, Any requirement, Contact us for our Custom Designs

Partial Selection Guide (Continued)

All models are VDE approved

VA	Part Number			Secondary	
	115/230V	115V	230V	Series	Parallel
130	VDE-130L-10	VDE1-130L-10	VDE2-130L-10	10VCT @ 13.00A	5V @ 26.00A
	VDE-130L-126	VDE1-130L-126	VDE2-130L-126	12.6VCT @ 10.31A	6.3V @ 20.63A
	VDE-130L-16	VDE1-130L-16	VDE2-130L-16	16VCT @ 8.125A	8V @ 16.25A
	VDE-130L-18	VDE1-130L-18	VDE2-130L-18	18VCT @ 7.22A	9V @ 14.44A
	VDE-130L-20	VDE1-130L-20	VDE2-130L-20	20VCT @ 6.50A	10V @ 13.00A
	VDE-130L-24	VDE1-130L-24	VDE2-130L-24	24VCT @ 5.41A	12V @ 10.83A
	VDE-130L-28	VDE1-130L-28	VDE2-130L-28	28VCT @ 4.64A	14V @ 9.28A
	VDE-130L-36	VDE1-130L-36	VDE2-130L-36	36VCT @ 3.61A	18V @ 7.22A
	VDE-130L-230	VDE1-130L-230	VDE2-130L-230	230VCT @ 565mA	115V @ 1.13A
150	VDE-150L-10	VDE1-150L-10	VDE2-150L-10	10VCT @ 15.00A	5V @ 30.00A
	VDE-150L-126	VDE1-150L-126	VDE2-150L-126	12.6VCT @ 11.90A	6.3V @ 23.80A
	VDE-150L-16	VDE1-150L-16	VDE2-150L-16	16VCT @ 9.375A	8V @ 18.75A
	VDE-150L-18	VDE1-150L-18	VDE2-150L-18	18VCT @ 8.33A	9V @ 16.66A
	VDE-150L-20	VDE1-150L-20	VDE2-150L-20	20VCT @ 7.50A	10V @ 15.00A
	VDE-150L-24	VDE1-150L-24	VDE2-150L-24	24VCT @ 6.25A	12V @ 12.50A
	VDE-150L-28	VDE1-150L-28	VDE2-150L-28	28VCT @ 5.35A	14V @ 10.71A
	VDE-150L-36	VDE1-150L-36	VDE2-150L-36	36VCT @ 4.16A	18V @ 8.33A
	VDE-150L-230	VDE1-150L-230	VDE2-150L-230	230VCT @ 652mA	115V @ 1.30A
175	VDE-175L-10	VDE1-175L-10	VDE2-175L-10	10VCT @ 17.50A	5V @ 35.00A
	VDE-175L-126	VDE1-175L-126	VDE2-175L-126	12.6VCT @ 13.88A	6.3V @ 27.77A
	VDE-175L-16	VDE1-175L-16	VDE2-175L-16	16VCT @ 10.93A	8V @ 21.87A
	VDE-175L-18	VDE1-175L-18	VDE2-175L-18	20VCT @ 9.72A	9V @ 19.44A
	VDE-175L-20	VDE1-175L-20	VDE2-175L-20	24VCT @ 8.75A	10V @ 17.50A
	VDE-175L-24	VDE1-175L-24	VDE2-175L-24	24VCT @ 7.29A	12V @ 14.58A
	VDE-175L-28	VDE1-175L-28	VDE2-175L-28	28VCT @ 6.25A	14V @ 12.50A
	VDE-175L-36	VDE1-175L-36	VDE2-175L-36	36VCT @ 4.86A	18V @ 9.72A
	VDE-175L-230	VDE1-175L-230	VDE2-175L-230	230VCT @ 760mA	115V @ 1.52A

Any application, Any requirement, Contact us for our Custom Designs