

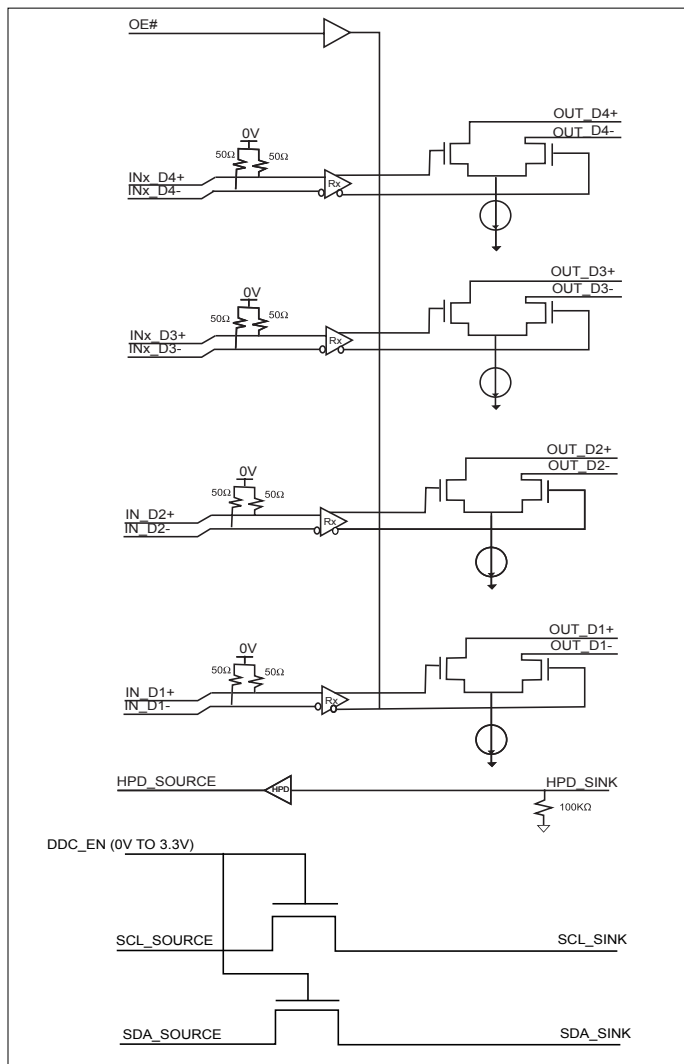
PI3VDP1430

Dual Mode DisplayPort to HDMI Levelshifter and ReDriver

Pericom Semiconductor's PI3VDP1430 provides the ability to use a Dual-mode DP transmitter in HDMI™ mode. This flexibility provides the user a choice of how to connect to their favorite display. All signal paths accept AC coupled video signals. The PI3VDP1430 converts this AC coupled signal into an HDMI rev 1.4a compliant signal with proper signal swing. This conversion is automatic and transparent to the user.

The PI3VDP1430 supports up to 2.97Gbps, which provides stereo video functionality as described in the HDMI 1.4a specification

Block Diagram



Features

- ➔ Converts low-swing AC coupled differential input to HDMI™ rev 1.4a compliant open-drain current steering Rx terminated differential output
- ➔ HDMI level shifting operation up to 2.97Gbps per lane (297MHz pixel clock) for stereo video
- ➔ Integrated 50-ohm termination resistors for AC-coupled differential inputs.
- ➔ Enable/Disable feature to turn off TMDS outputs to enter lowpower state.
- ➔ 3.3 Power supply required.
- ➔ Integrated ESD protection to 8kV contact on all | high speed
- ➔ I/O pins (IN_x and OUT_x) per IEC61000-4-2 test spec, level 4
- ➔ DDC level shifters from 5V from sink side down to 3.3V on source side
- ➔ Level shifter for HPD signal from HDMI/DVI connector
- ➔ Integrated pull-down on HPD_sink input guarantees "input low" when no display is plugged in
- ➔ Packaging (Pb-Free & Green)
 - 48 TQFN, 7mm x 7mm (ZBE)