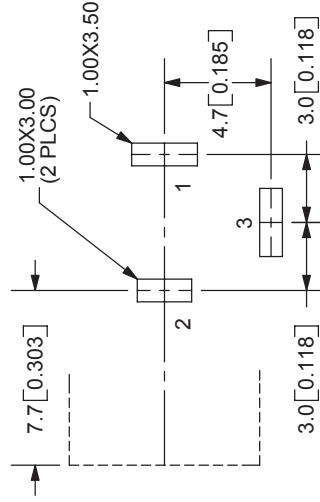
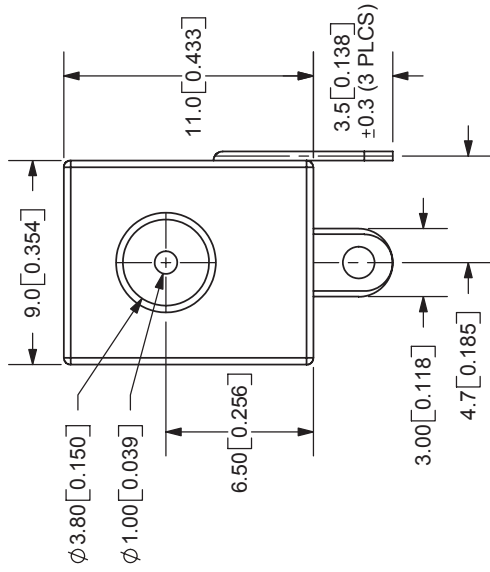
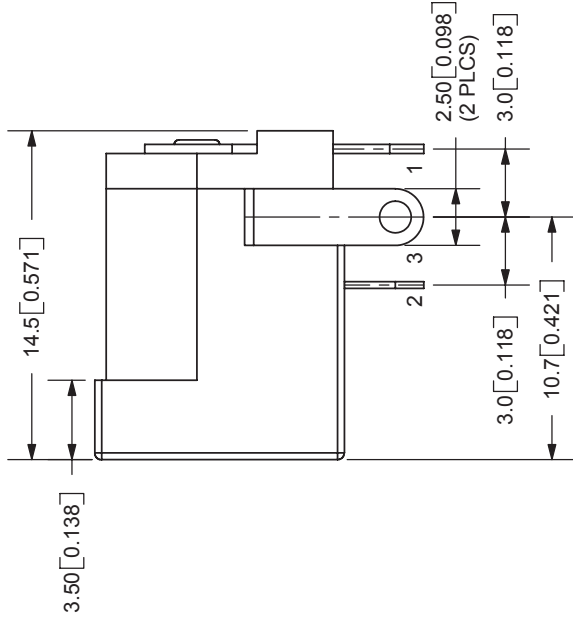
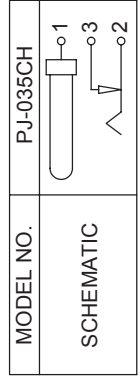


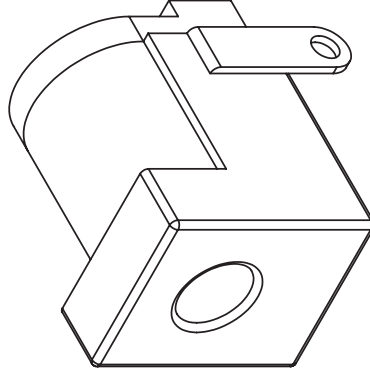
REV.	DESCRIPTION	DATE
A	NEW DRAWING	7/30/2007



SPECIFICATIONS:
 RATING: 16V DC @ 3.5A
 CONTACT RESISTANCE: 50m OHMS MAX
 INSULATION RESISTANCE: 100M OHMS MIN: 500V DC
 VOLTAGE WITHSTAND: 500V AC R.M.S. FOR 1 MINUTE
 LIFE: 5,000 CYCLES
 OPERATING TEMP: -25° ~ +85°C



CENTER PIN	MATERIAL	PLATING
TERMINAL 1	Brass	Nickel
TERMINAL 2	Brass	Silver
TERMINAL 3	Copper Alloy	Silver
BODY	Brass	Silver
	PBT	



TOLERANCE:
 X.X±0.2mm
 X.XX±0.1mm
 X.XXX±0.05mm



20050 SW 112th Ave.
 Tualatin, OR 97062
 Phone: 503-612-2300
 800-275-4899
 Fax: 503-612-2383
 Website: www.cui.com

TITLE:	DC POWER JACK	REV:	A
PART NO:	PJ-035CH	UNITS:	MM [INCHES]
DRAWN BY:	ZRJ	APPROVED BY:	
		SCALE:	3:1