

## DETAILS

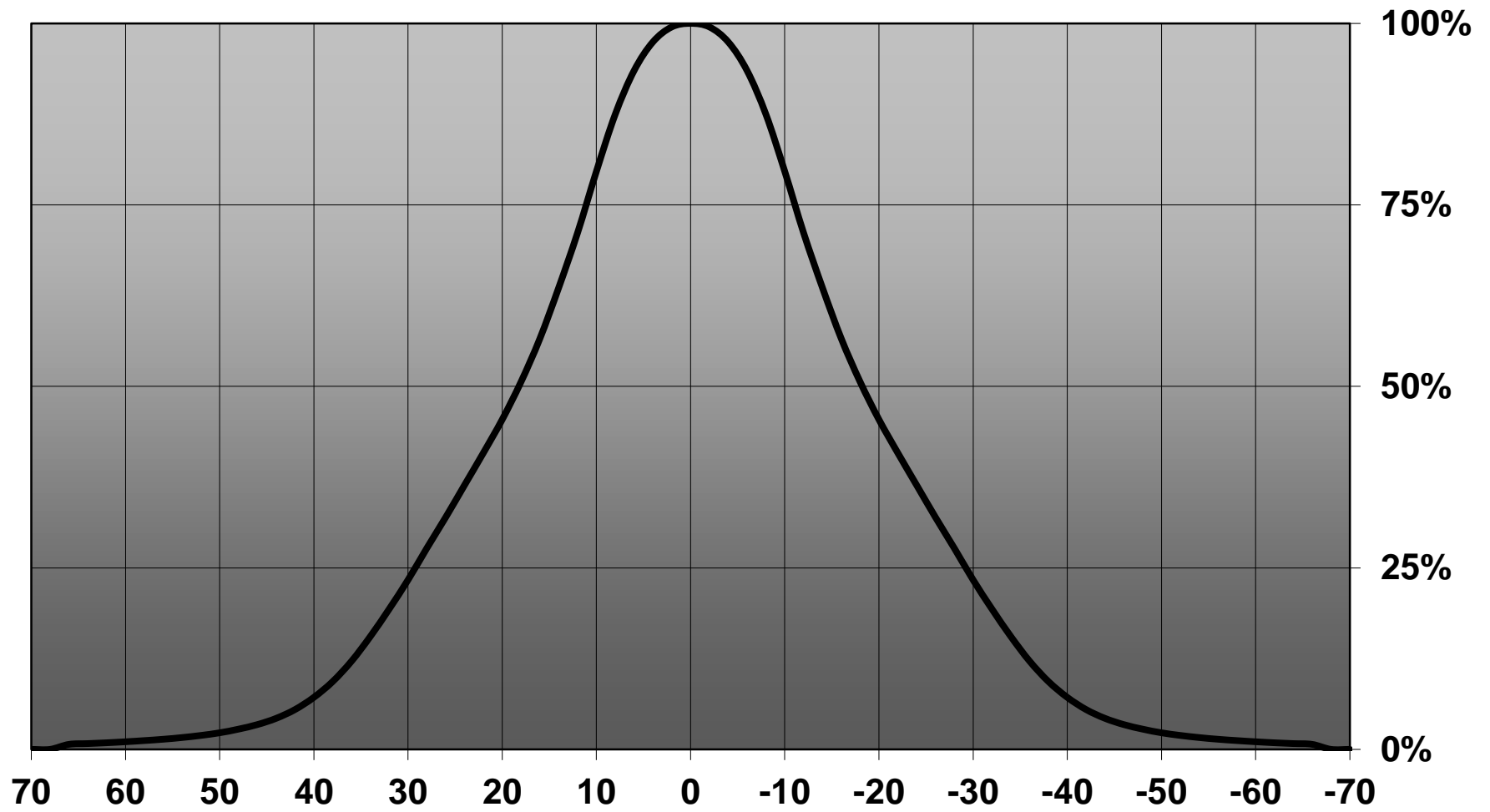
<b>Product Number</b>	FP13029_LISA2-WW-CLIP
<b>Family</b>	Lisa2
<b>Type</b>	Assembly
<b>Color</b>	black
<b>Diameter</b>	9.9 mm
<b>Height</b>	6.8 mm
<b>Style</b>	round
<b>Optic Material</b>	PMMA
<b>Holder Material</b>	PC
<b>Fastening</b>	clips, glue
<b>Status</b>	ready
<b>ROHS Compliant</b>	Yes
<b>Date Updated</b>	18/08/2014



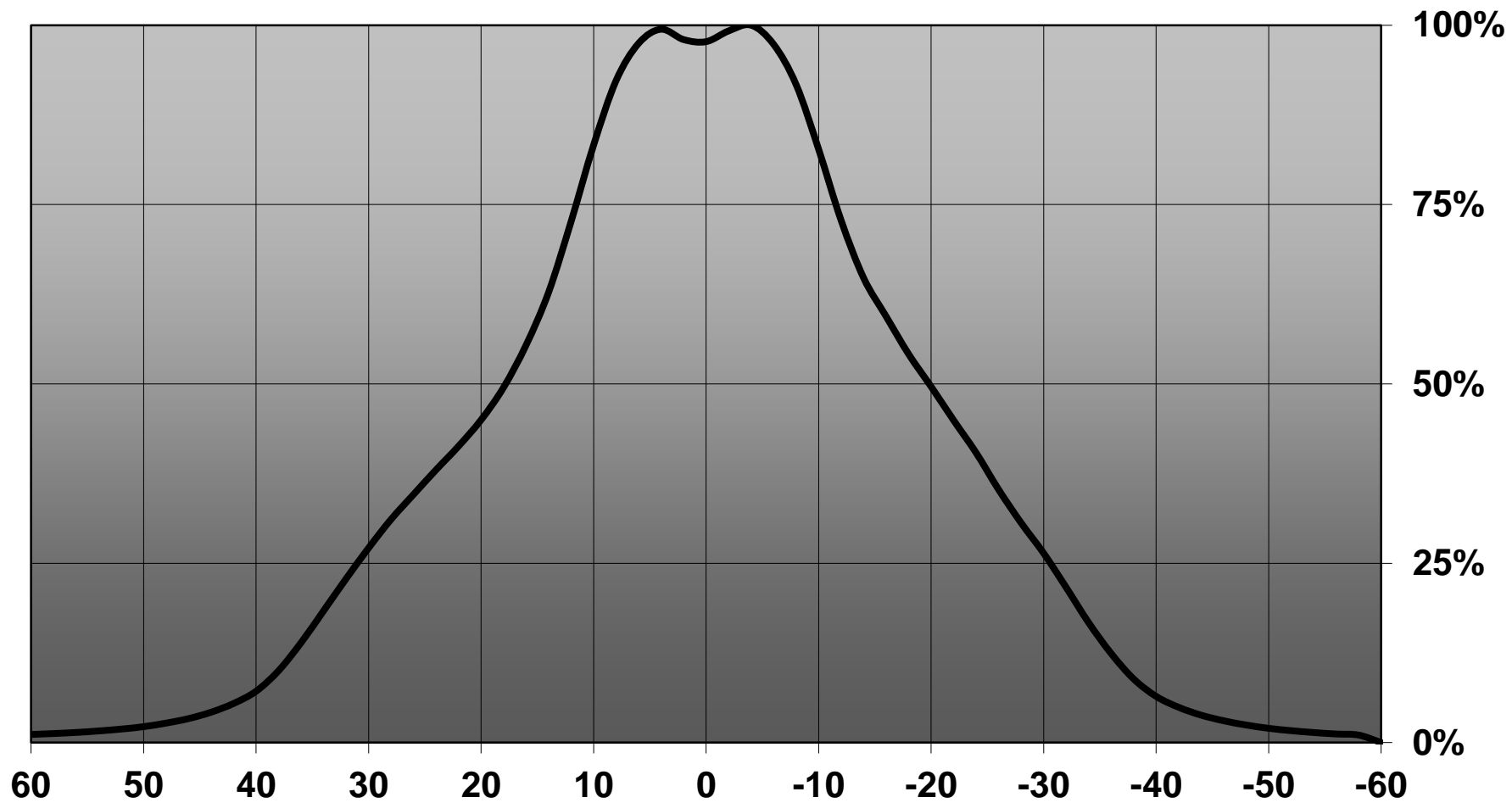
## OPTICAL PROPERTIES

LED	Viewing Angle	Light Beam	Efficiency	cd/lm	Connector
LUXEON Q	sim: 54	Very Wide	sim: 84 %	sim: 1.000	-
SFH 4715S (IR)	36 deg	Very Wide	-	sim: 0.000	-
SFH4725s (IR)	38 deg	Very Wide	-	sim: 0.000	-
NCSxx19B	41 deg	Very Wide	86 %	1.500	-
XP-E2	43 deg	Very Wide	88 %	1.350	-
XP-G2	47 deg	Very Wide	88 %	1.200	-
XT-E	47 deg	Very Wide	84 %	1.100	-
LH351Z	60 deg	Very Wide	90 %	0.950	-
LH351B	67 deg	Very Wide	88 %	0.890	-

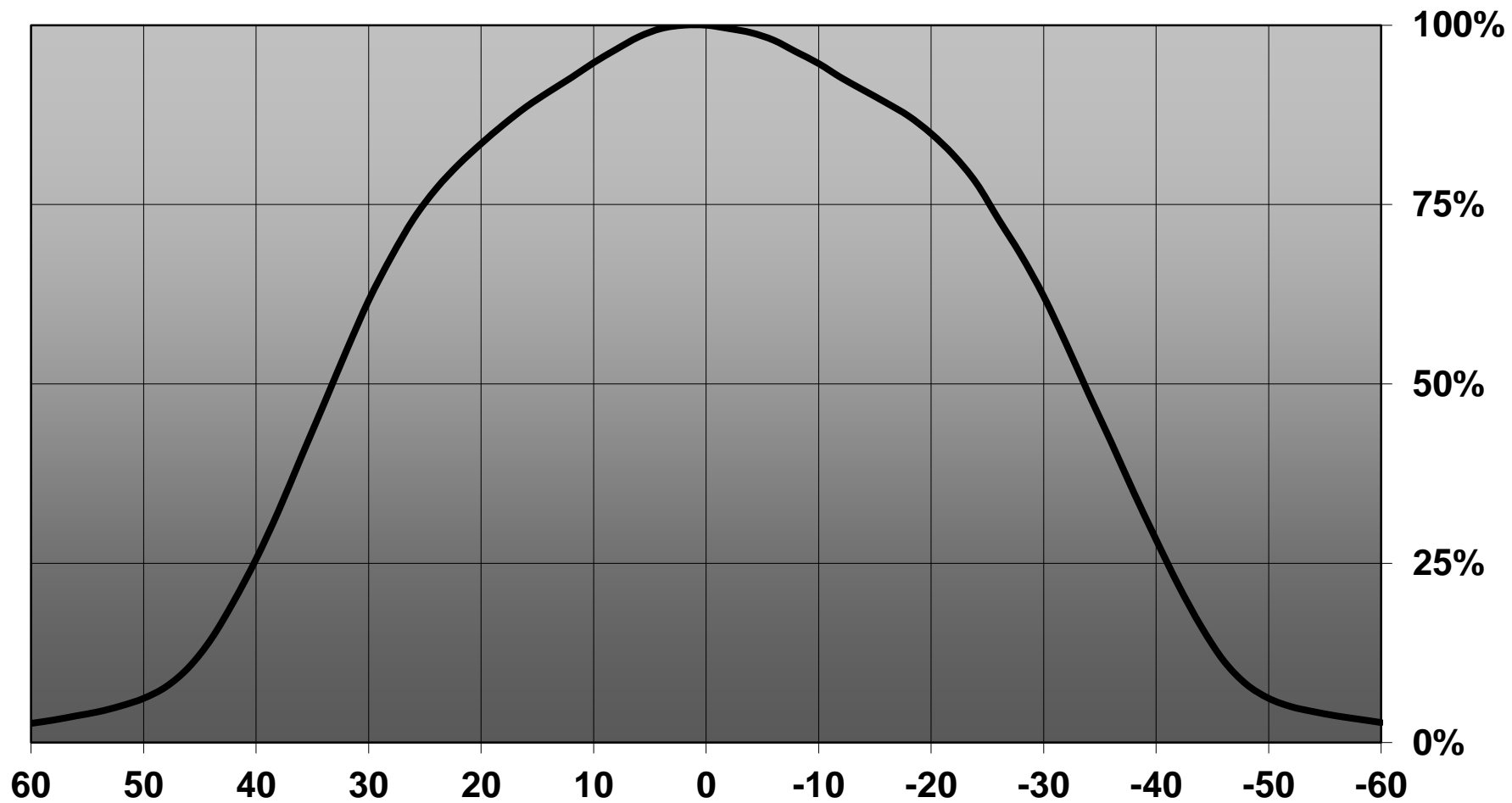
Relative intensity of FP13029&FP13026\_LISA2-WW-SFH-IR



Relative intensity of FP13029\_LISA2-WW-CLIP\_(SFH4725S)



Relative intensity of FP13029\_LISA2-WW-CLIP\_(LH35B)

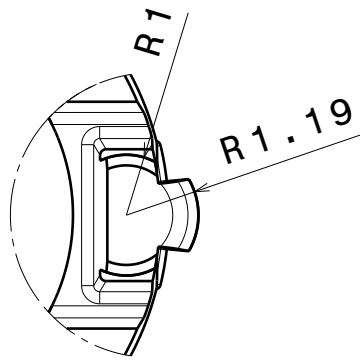


D

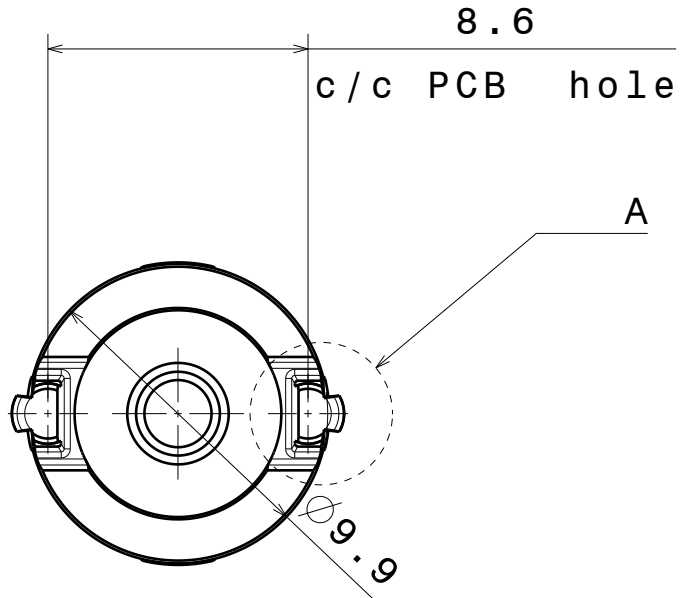
C

B

A



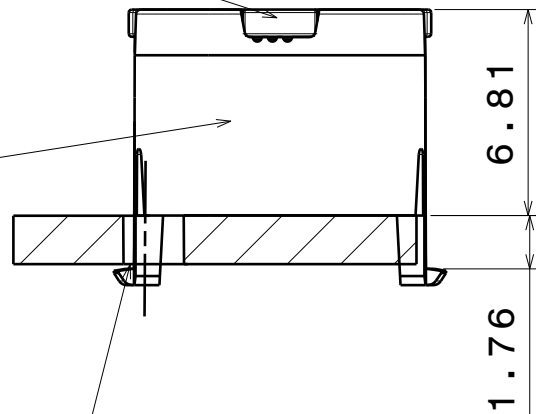
Detail A  
Scale: 8:1



Bottom view  
Scale: 4:1

Lens

Holder



Front view  
Scale: 4:1

Materials:  
Lens PMMA  
Holder PC

Note:  
Take tolerances  
into account  
when specifying  
holes for PCB

This drawing is our property.  
It can't be reproduced  
or communicated without  
our written agreement.



Ledil Oy  
Salorankatu 10  
FIN-24240 SALO  
Finland

DRAWING TITLE

Datasheet Lisa2-clip16-XT series Assy

DRAWN BY

DATE

pl

20.06.2012

CHECKED BY

DATE

sn

20.7.2011

SIZE

A4

DRAWING NUMBER

REV

1

DESIGNED BY

DATE

pl

20.06.2012

SCALE

4:1

WEIGHT (g)

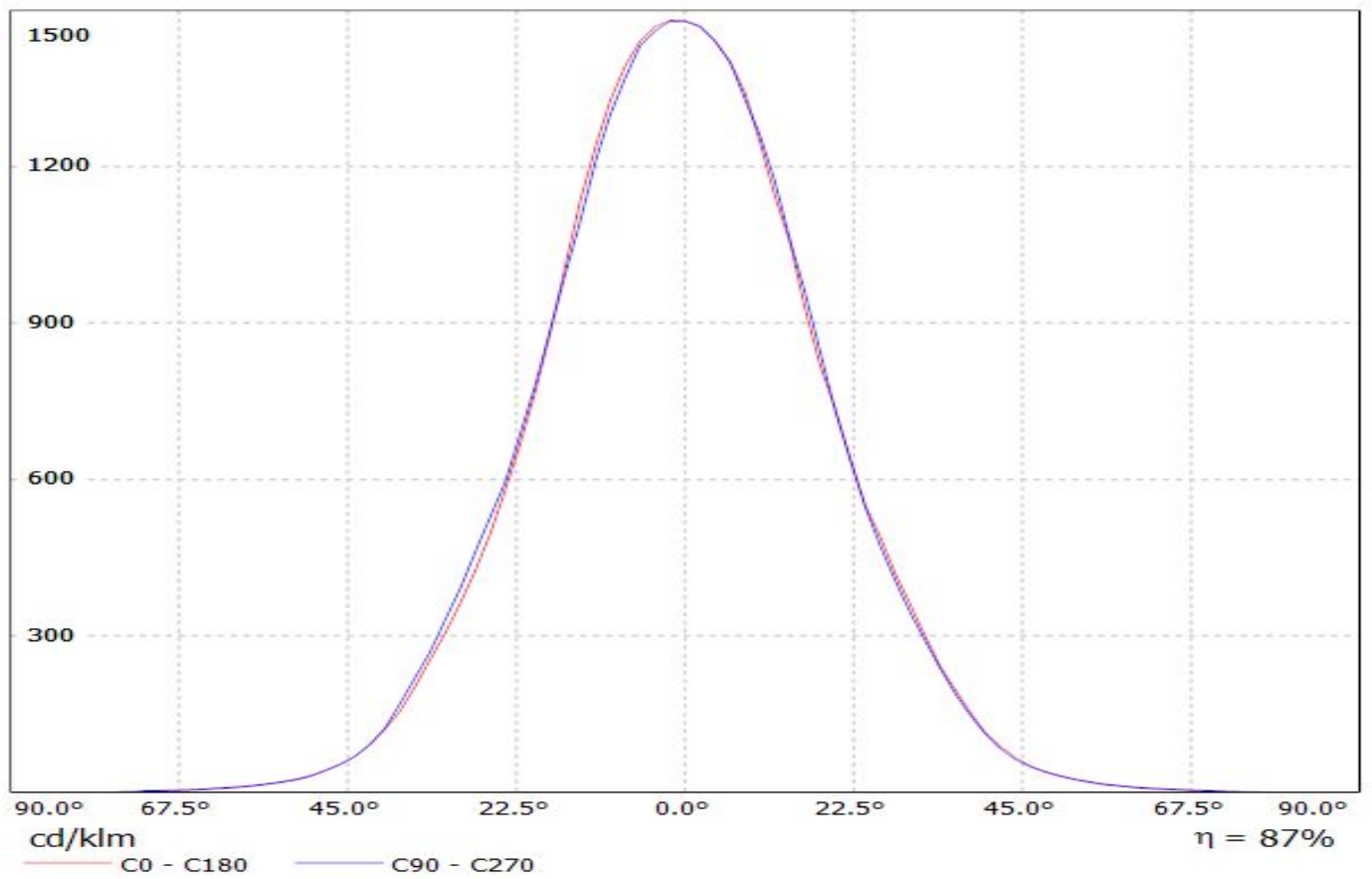
SHEET

1/1

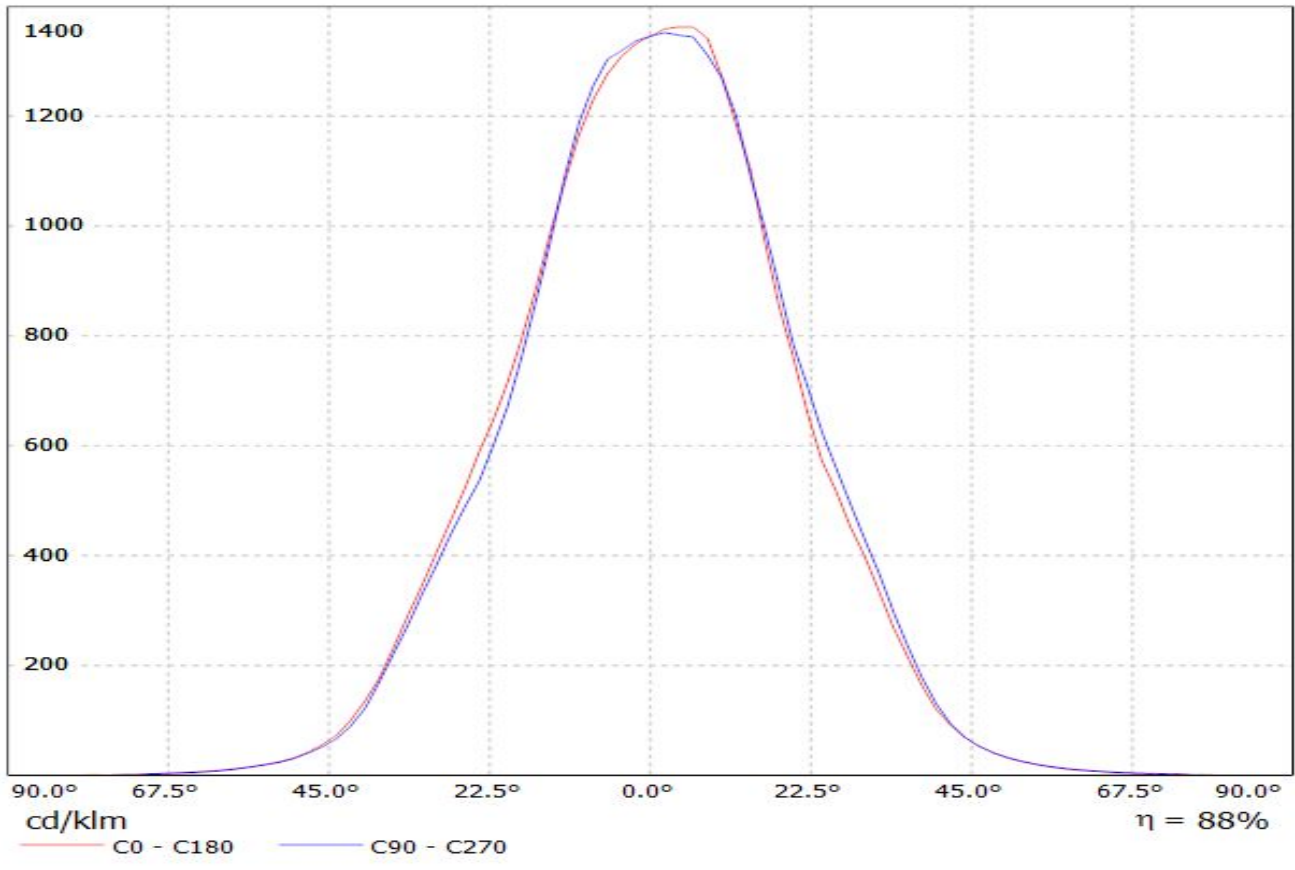
D

A

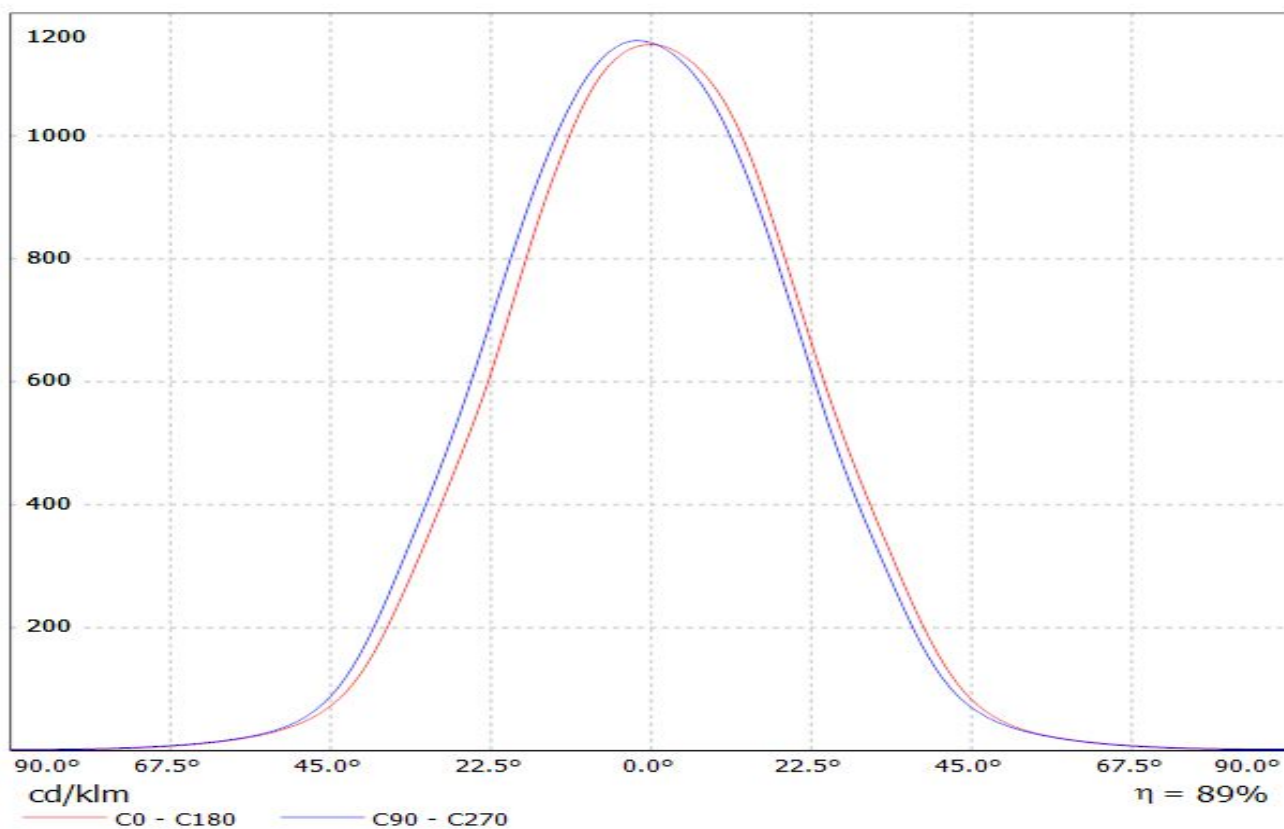
Luminaire: Ledil Oy FP13026&FP13029\_LISA2-WW-PIN\_(NCSxx19B) Eff. 86%  
Lamps: 1 x Nichia NCSxx19B (NCSL119BE) 88lm @ 250mA CCT=3000K P=0.8W I=250mA



Luminaire: Ledil Oy FP13026&FP13029\_LISA2-WW\_PIN&CLIP (XP-E2) Eff. 88%  
Lamps: 1 x Cree XP-E2 cool white 92lm@250mA CCT=5600K P=0.75W I=250mA

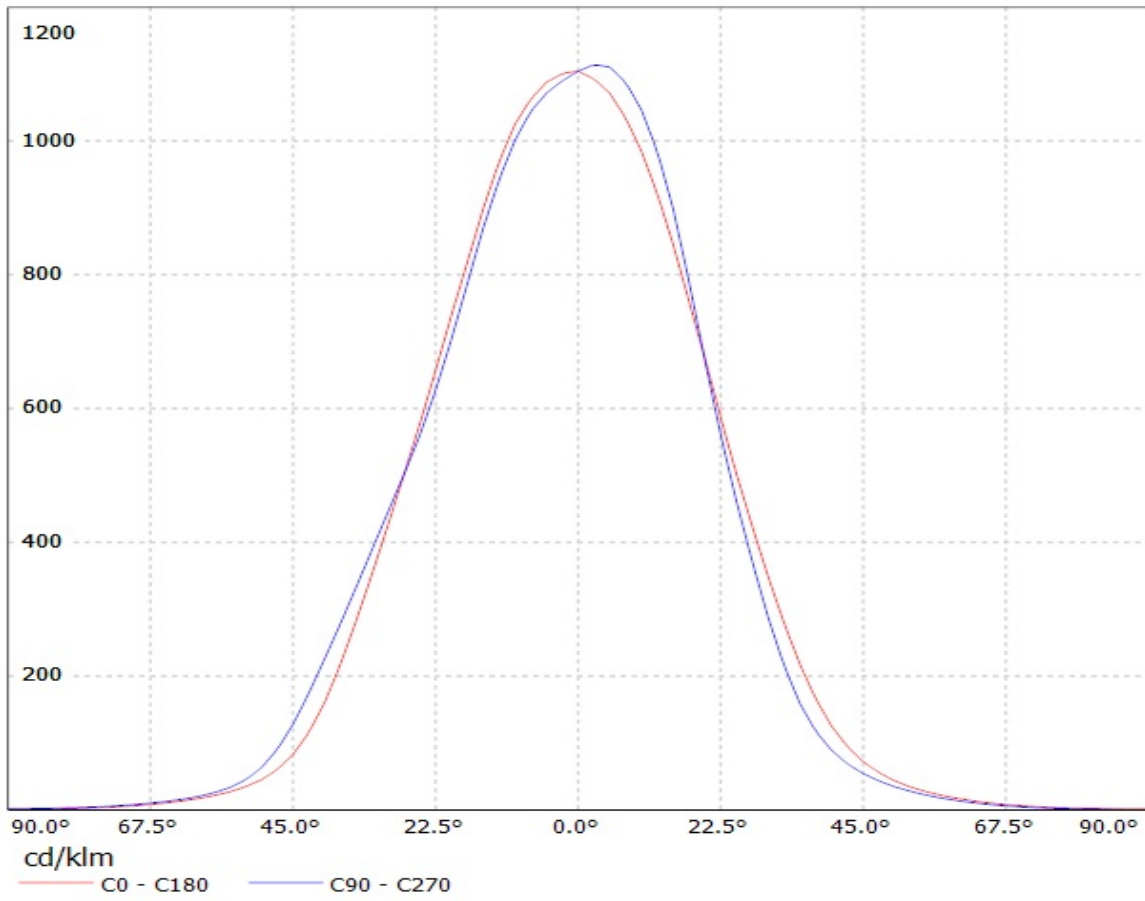


Luminaire: LEDiL Oy FP13026&FP13029\_LISA2-WW\_(XP-G2) Eff. 89%  
Lamps: 1 x Cree\_(XP-G2) 104lm@250mA CCT=6600K P=0.76W I=250mA

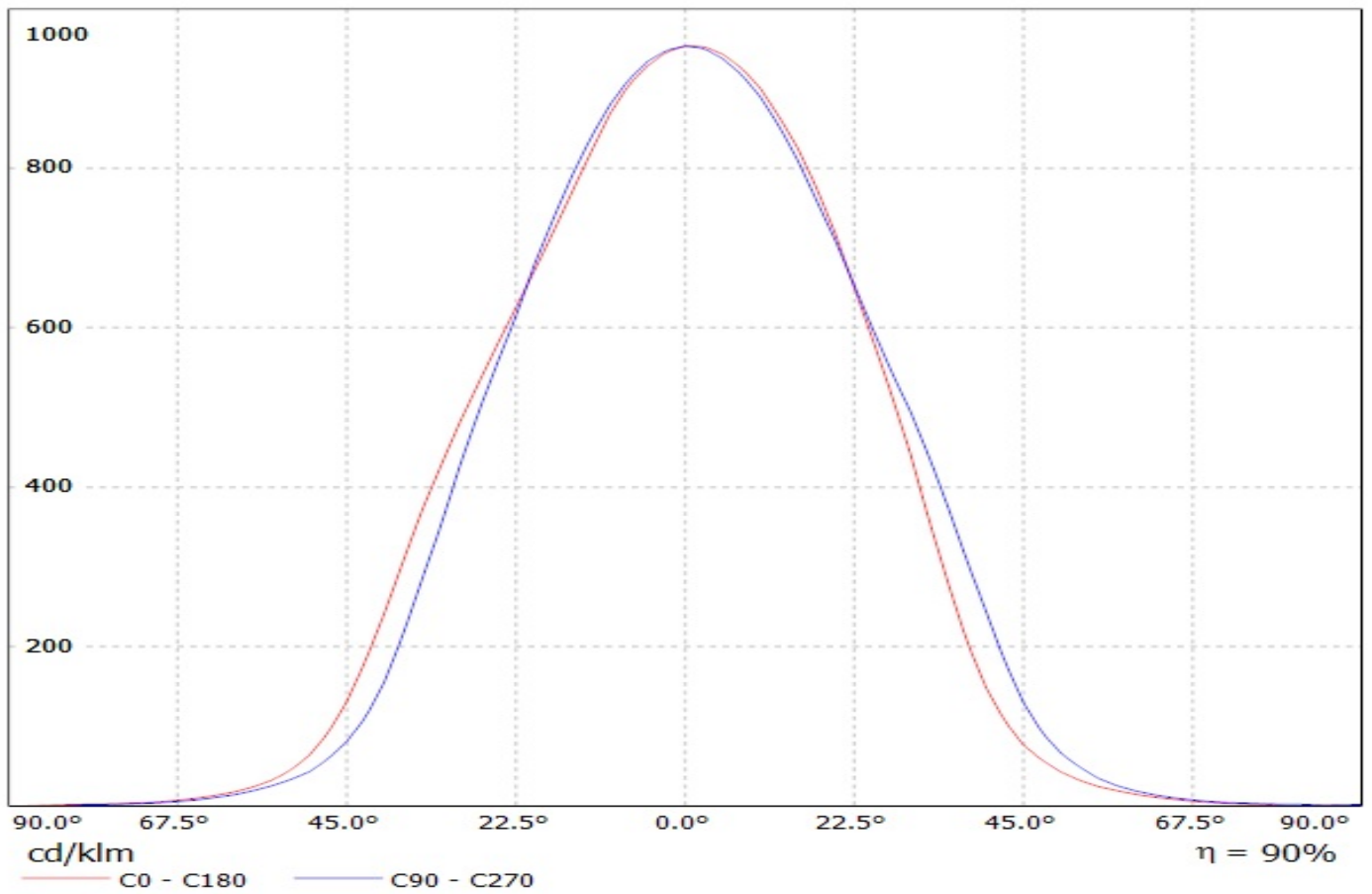




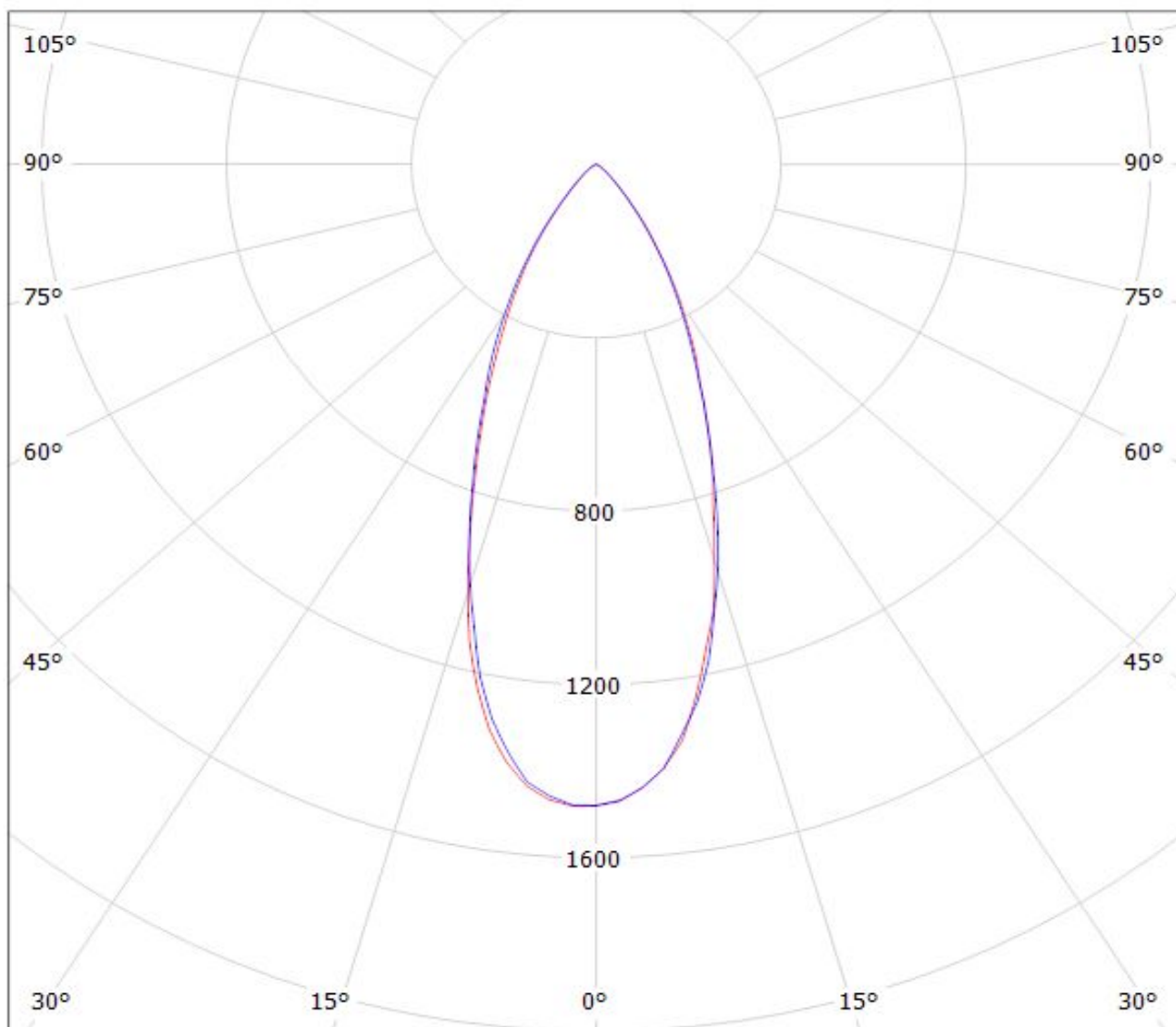
Luminaire: LEDIL OY FP13026\_LISA2-WW-PIN & FP13029\_LISA2-WW-CLIP-XTE (Cree XT-E 98lm @ 250mA) Efficiency=84%  
Lamps: 1 x CREE XT-E (98.9lm)



Luminaire: LEDil Oy FP13026\_LISA2-WW-PIN\_(LH351Z)  
Lamps: 1 x Samsung LH351Z (90.14lm @ 250mA) CCT=6500K P=0.7W I=250mA



Luminaire: Ledil Oy FP13026&FP13029\_LISA2-WW-PIN\_(NCSxx19B) Eff. 86%  
Lamps: 1 x Nichia NCSxx19B (NCSL119BE) 88lm @ 250mA CCT=3000K P=0.8W I=250mA



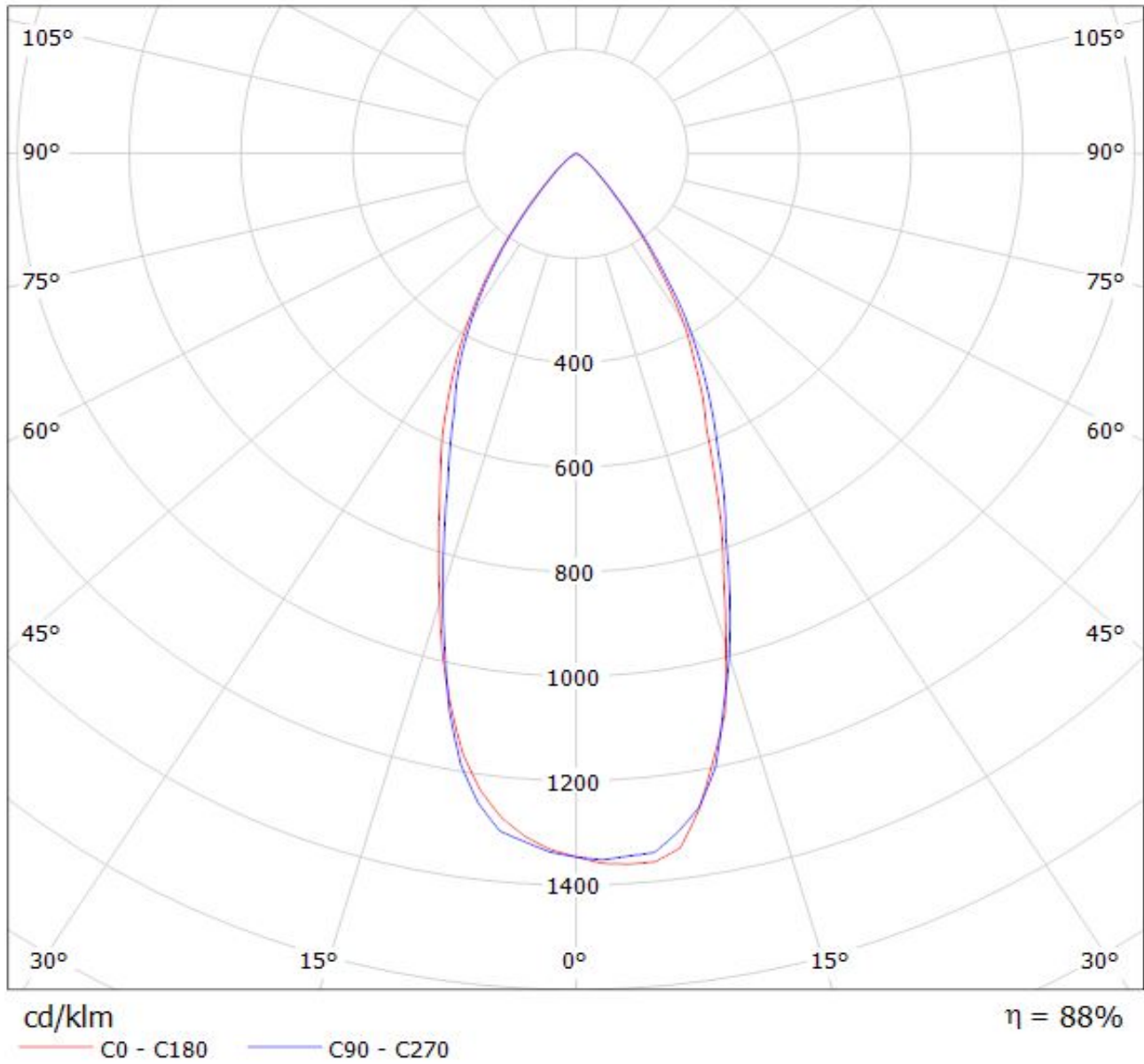
cd/klm

— C0 - C180

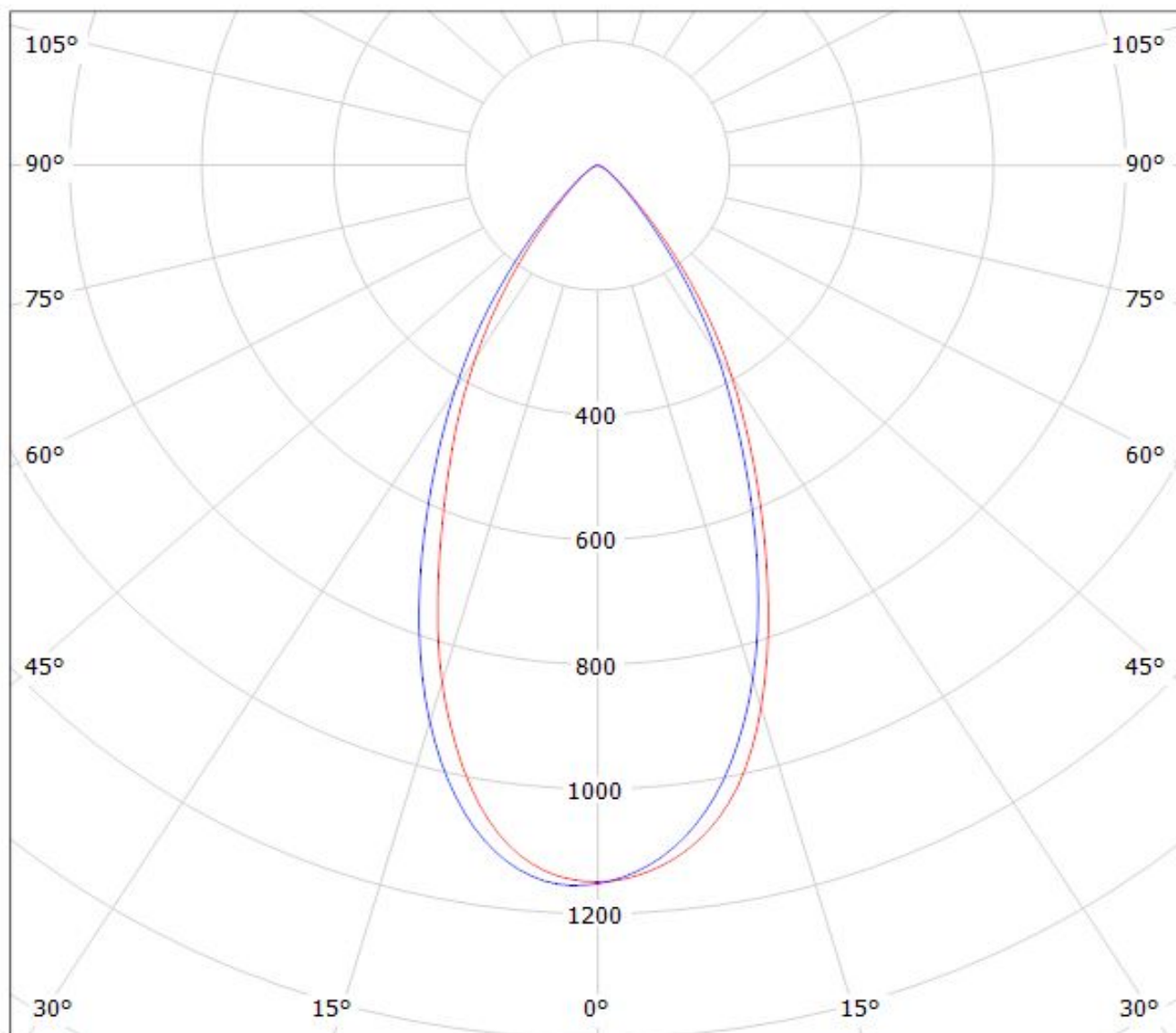
— C90 - C270

$\eta = 87\%$

Luminaire: Ledil Oy FP13026&FP13029\_LISA2-WW\_PIN&CLIP (XP-E2) Eff. 88%  
Lamps: 1 x Cree XP-E2 cool white 92lm@250mA CCT=5600K P=0.75W I=250mA



Luminaire: LEDiL Oy FP13026&FP13029\_LISA2-WW\_(XP-G2) Eff. 89%  
Lamps: 1 x Cree\_(XP-G2) 104lm@250mA CCT=6600K P=0.76W I=250mA



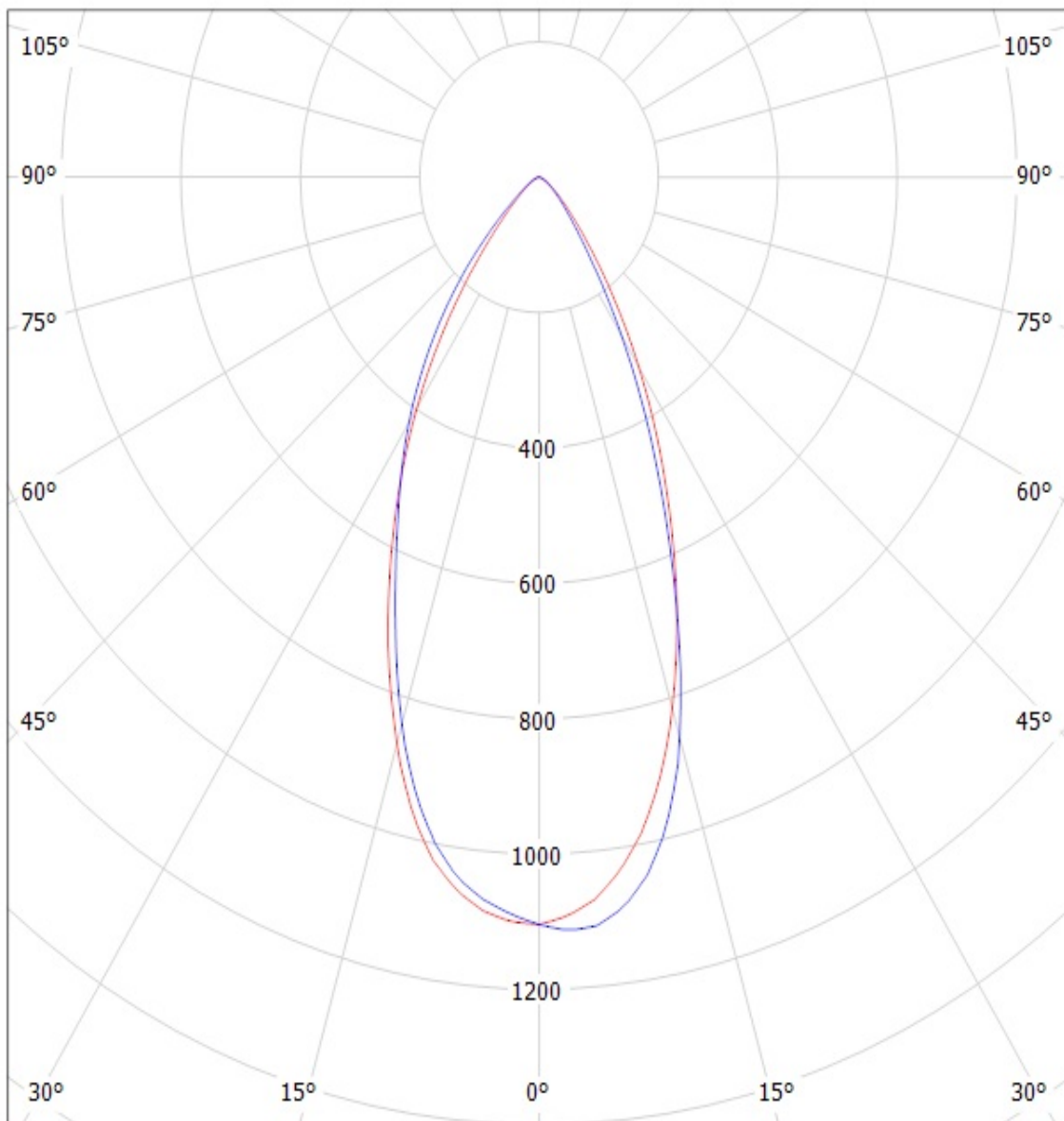
cd/klm

— C0 - C180

— C90 - C270

$\eta = 89\%$

Luminaire: LEDIL OY FP13026\_LISA2-WW-PIN & FP13029\_LISA2-WW-CLIP-XTE (Cree XT-E 98lm @ 250mA) Efficiency=84%  
Lamps: 1 x CREE XT-E (98.9lm)

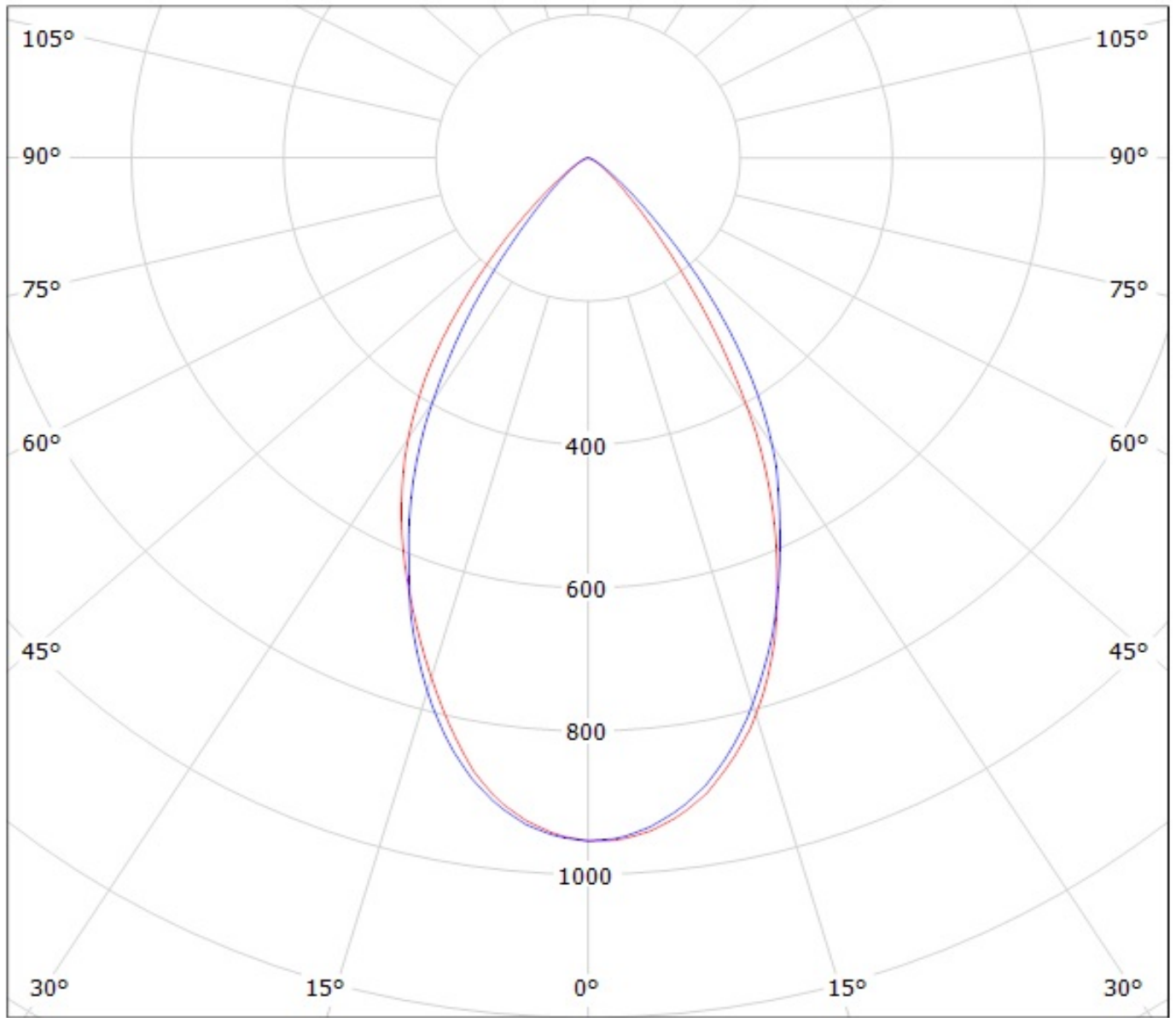


cd/klm

— C0 - C180 — C90 - C270

Luminaire: LEDil Oy FP13026\_LISA2-WW-PIN\_(LH351Z)

Lamps: 1 x Samsung LH351Z (90.14lm @ 250mA) CCT=6500K P=0.7W I=250mA



cd/klm

— C0 - C180

— C90 - C270

$\eta = 90\%$

**NOTE: The typical divergence will be changed by different color, chip size and chip position tolerance. The typical total divergence is the full angle measured where the luminous intensity is half of the peak value.**