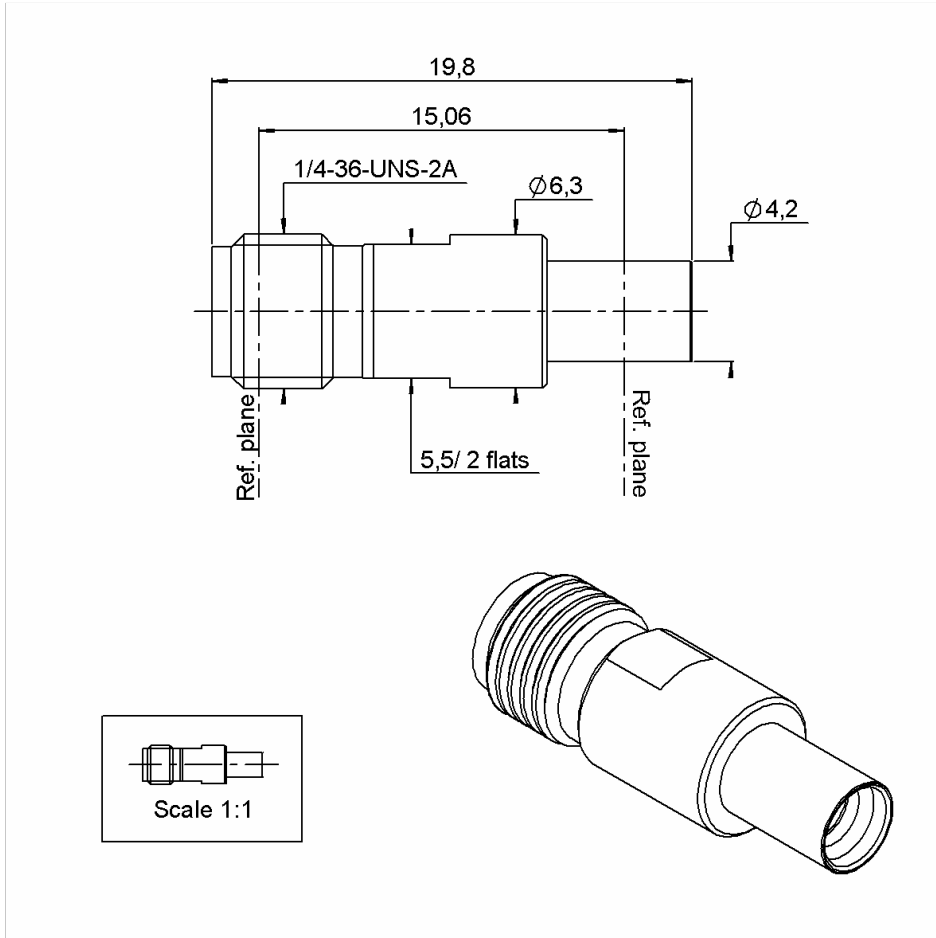


SMA 2.9 FEMALE - SMP MALE FULL DETENT

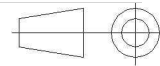
R191.968.001

STRAIGHT ADAPTER - PACK. 100

Série : ADAPT



All dimensions are in mm.



COMPONENTS	MATERIALS	PLATINGS (µm)
BODY	-	PASSIVATED
CENTER CONTACT	BERYLLIUM COPPER	GOLD 1.27 OVER NICKEL 1.27
OUTER CONTACT	BRASS	GOLD 0.2 OVER NICKEL 2
INSULATOR	PTFE+KAPTON	
GASKET	-	-
OTHERS PARTS	-	-
-	-	-
-	-	-

Issue : 1026 B

In the effort to improve our products, we reserve the rights to make changes judged to be necessary.



SMA 2.9 FEMALE - SMP MALE FULL DETENT

R191.968.001

STRAIGHT ADAPTER - PACK. 100

Série : ADAPT

PACKAGING

SPECIFICATION

Standard	Unit	Other
100	'W' option	Contact us

ELECTRICAL CHARACTERISTICS

ENVIRONMENTAL

Impedance **50** Ω
 Frequency **0-40** GHz
 VSWR **1.40 + 0,0000** x F(GHz) Maxi
 Insertion loss **0.1** √F(GHz) dB Maxi
 RF leakage - (**NA** - F(GHz)) dB Maxi
 Voltage rating **335** Veff Maxi
 Dielectric withstanding voltage **500** Veff mini
 Insulation resistance **5000** MΩ mini

Operating **-65/+165** °C
 Hermetic seal **NA** Atm.cm3/s
 Panel leakage **NA**

MECHANICAL CHARACTERISTICS

OTHERS CHARACTERISTICS

Center contact retention
 Axial force – Mating end **27** N mini
 Axial force – Opposite end **27** N mini
 Torque **NA** N.cm mini

Recommended torque
 Mating **SMA2.9** **0** N.cm
 SMP **0** N.cm
 - **0** N.cm
 Panel nut **NA** N.cm

Mating life **100** Cycles mini
 Weight **2,7000** g

Issue : 1026 B

In the effort to improve our products, we reserve the rights to make changes judged to be necessary.

