

PE4240

**SPST UltraCMOS™ CATV Switch
DC - 1300 MHz**

Features

- 75-ohm switch
- Non-reflective at RF1, open reflective at RF2 when OFF
- Integrated 0.25 watt terminations
- CTB performance of 100dBc
- High isolation: 85 dB at 5 MHz, 47 dB at 1 GHz
- Low insertion loss: 0.5 dB at 5 MHz, 0.75 dB at 1 GHz
- High input IP2: >80 dBm
- CMOS/TTL single-pin control
- Single +3 volt supply operation

Product Description

The PE4240 is a high-isolation MOSFET Switch designed for CATV applications, covering a broad frequency range from DC up to 1.3 GHz. This single-supply SPST switch offers a single-pin CMOS control interface with industry leading CTB performance. It also provides low insertion loss, high isolation and extremely low bias requirements while operating on a single 3-volt supply. In a typical CATV application, the PE4240 provides for a cost effective and manufacturable solution vs. mechanical relays.

The PE4240 is manufactured on Peregrine's UltraCMOS™ process, a patented variation of silicon-on-insulator (SOI) technology on a sapphire substrate, offering the performance of GaAs with the economy and integration of conventional CMOS.

Figure 1. Functional Diagram

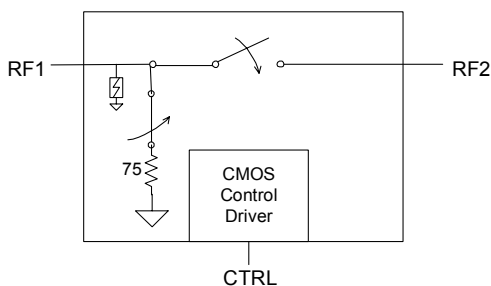


Figure 2. Package Type

6-lead DFN

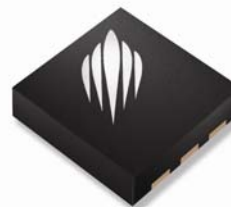


Table 1. Electrical Specifications @ +25 °C ($Z_S = Z_L = 75 \Omega$)

Parameter	Condition	Minimum	Typical	Maximum	Units
Operating Frequency ¹		DC		1300	MHz
Operating Power	On / Off			30/24	dBm
Insertion Loss	DC – 50 MHz 1000 MHz		0.5 0.75	0.65 1.0	dB
Isolation	DC – 50 MHz 1000 MHz	71 44	85 47		dB
Return Loss	DC - 1000 MHz	14	20		dB
Input 1 dB Compression ^{2,4}	1000 MHz	30	33		dBm
Input IP2 ²	1000 MHz	80			dBm
CTB / CSO	77 & 110 channels; PO = 44 dBmV		-100		dBc
Input IP3 ²	1000 MHz	50			dBm
Video Feedthrough ³				15	mV _{pp}
Switching Time			2		µs

Notes: 1. Device linearity will begin to degrade below 1 MHz.

2. Measured in a 50 Ω system.

3. Measured with a 1 ns risetime, 0/3 V pulse and 500 MHz bandwidth.

4. Note Absolute Maximum ratings in Table 3.

Figure 3. Pin Configuration

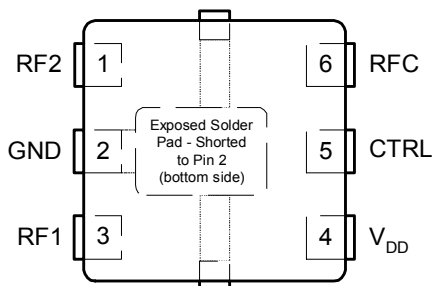


Table 2. Pin Descriptions

Pin No.	Pin Name	Description
1	V _{DD}	Nominal 3 V supply connection. ¹
2	GND	Ground connection. ³
3	RF1	RF port. ²
4	CTRL	CMOS or TTL logic level: High = RF1 to RF2 signal path Low = RF1 isolated from RF2
5	GND	Ground connection. ³
6	RF2	RF port. ²

- Notes: 1. A bypass capacitor should be placed as close as possible to the pin.
 2. Both RF pins must be held at 0 V_{AC} or require external DC blocking capacitors.
 3. The exposed pad must be soldered to the ground plane for proper switch performance.

Table 3. Absolute Maximum Ratings

Symbol	Parameter/Condition	Min	Max	Unit
V _{DD}	Power supply voltage	-0.3	4.0	V
V _I	Voltage on CTRL input	-0.3	5.5	V
T _{ST}	Storage temperature	-65	150	°C
T _{OP}	Operating temperature	-40	85	°C
P _{IN}	Input power (50Ω), CTRL=1/CTRL=0		33/24	dBm
V _{ESD}	ESD voltage (Human Body Model)		200	V

Absolute Maximum Ratings are those values listed in the above table. Exceeding these values may cause permanent device damage. Functional operation should be restricted to the limits in the DC Electrical Specifications table. Exposure to absolute maximum ratings for extended periods may affect device reliability.

Table 4. DC Electrical Specifications @ 25 °C

Parameter	Min	Typ	Max	Unit
V _{DD} Power Supply	2.7	3.0	3.3	V
I _{DD} Power Supply Current (V _{DD} = 3V, V _{CTRL} = 3V)		33	40	μA
Control Voltage High	70% V _{DD}		5	V
Control Voltage Low	0		30% V _{DD}	V

Electrostatic Discharge (ESD) Precautions

When handling this UltraCMOS™ device, observe the same precautions that you would use with other ESD-sensitive devices. Although this device contains circuitry to protect it from damage due to ESD, precautions should be taken to avoid exceeding the rating specified.

Latch-Up Avoidance

Unlike conventional CMOS devices, UltraCMOS™ devices are immune to latch-up.

Device Description

The PE4240 high isolation SPST CATV Switch is designed to support CATV applications such as premium channel service connect/disconnect switch blocks. This function is typically performed by bulky and expensive mechanical switches. The high isolation characteristics (>44 dB at 1 GHz, 85 dB at 5 MHz), high compression point, and an integrated 75-ohm terminations make the PE4240 an ideal, low cost solution.

Figure 4. Typical Application Block Diagram

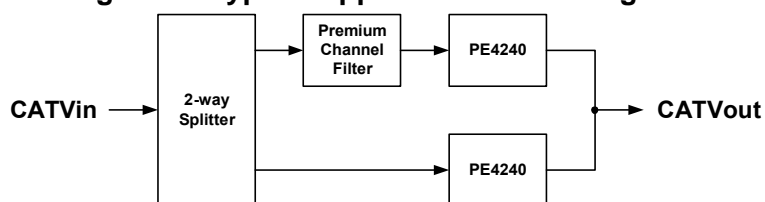


Table 5. Control Logic Truth Table

Control Voltage (CTRL)	Signal Path (RF1 to RF2)
High ¹	ON
Low	OFF

- Notes: 1. CTRL accepts both CMOS and TTL voltage leads.

The control logic input pin (CTRL) is typically driven by a 3-volt CMOS logic level signal, and has a threshold of 50% of V_{DD}. For flexibility to support systems that have 5-volt control logic drivers, the control logic input has been designed to handle a 5-volt logic HIGH signal. (A minimal current will be sourced out of the V_{DD} pin when the control logic input voltage level exceeds V_{DD}.)

Typical Performance Data @ 25 °C (Unless Otherwise Noted)
(75 Ω impedance except as indicated)

Figure 5. Insertion Loss

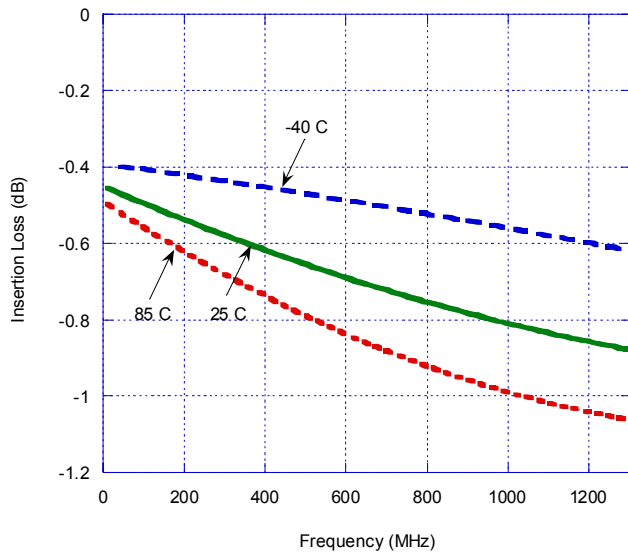


Figure 6. Input 1dB Compression Point and IIP3
50 Ω system impedance

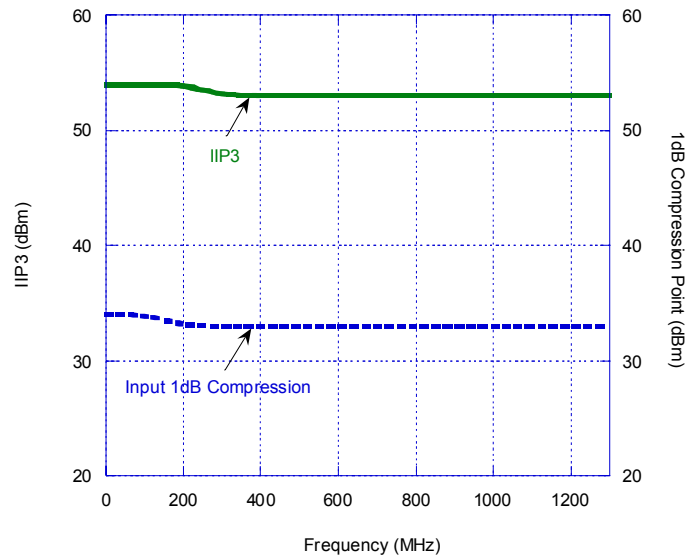
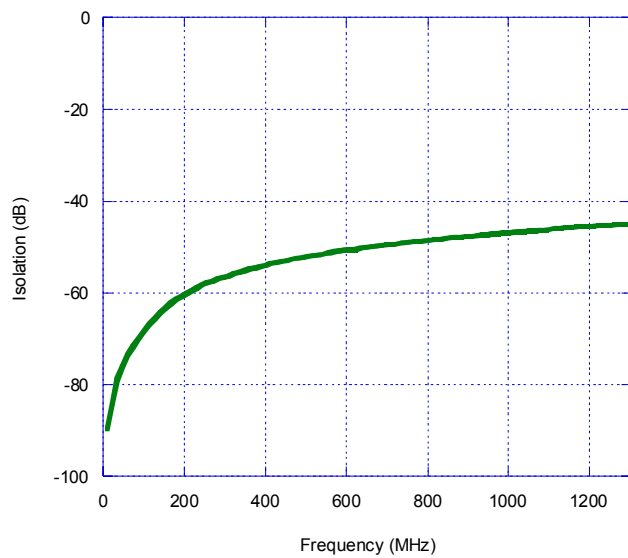


Figure 7. Isolation



Typical Performance Data @ 25 °C
(75 Ω impedance except as indicated)

Figure 8. RF1 Return Loss (Switch = ON)

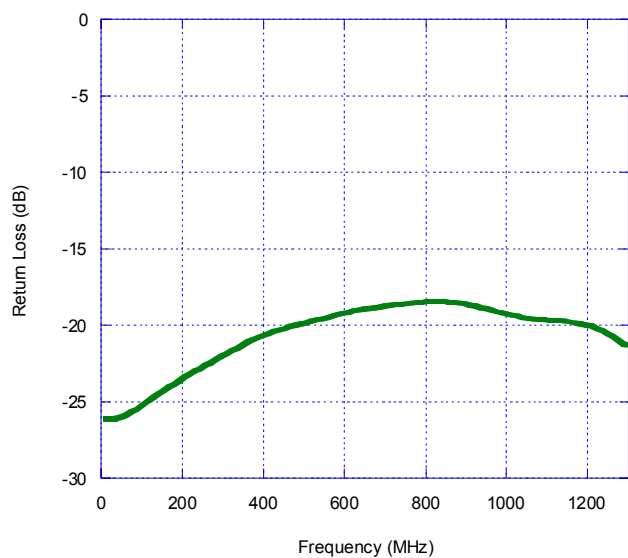


Figure 9. RF1 Return Loss (Switch = OFF)

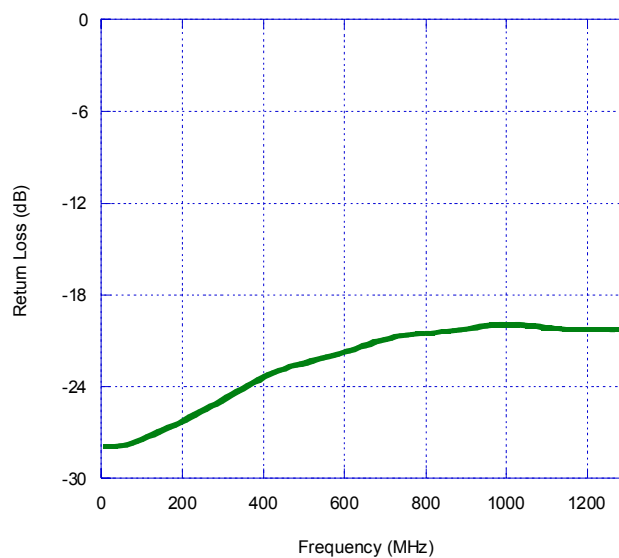
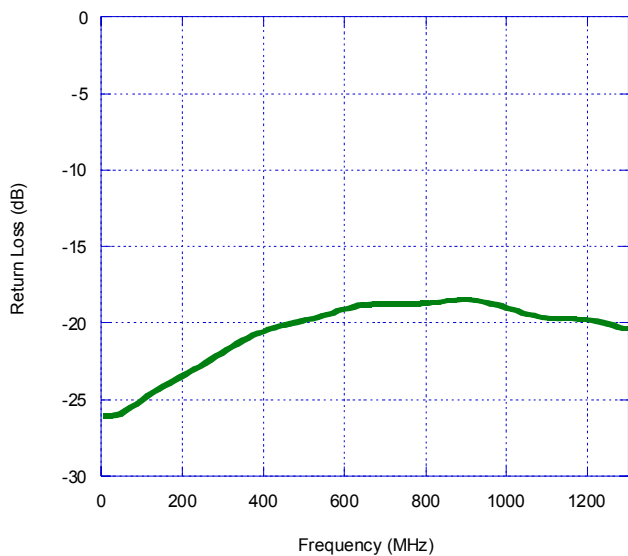


Figure 10. RF2 Return Loss (Switch = ON)



Evaluation Kit

The SPST Switch Evaluation Kit board was designed to ease customer evaluation of the PE4240 SPST switch. The RF1 port is connected through a 75 Ω transmission line to the top left BNC connector, J1. The RF2 port is connected through a 75 Ω transmission line to the BNC connector on the top right side of the board, J2. A through transmission line connects BNC connectors J3 and J4. This transmission line can be used to estimate the loss of the PCB over the environmental conditions being evaluated.

The board is constructed of a two metal layer FR4 material with a total thickness of 0.031". The bottom layer provides ground for the RF transmission lines. The transmission lines were designed using a coplanar waveguide model with trace width of 0.021", trace gaps of 0.030", dielectric thickness of 0.028", metal thickness of 0.0021" and εR of 4.3. Note that the predominate mode for these transmission lines is coplanar waveguide with a ground plane.

J5 provides a means for controlling DC and digital inputs to the device. Starting from the lower left pin, the second pin to the right (J5-3) is connected to the device V_{DD} input. The fourth pin to the right (J5-7) is connected to the device CTRL input. It is the responsibility of the customer to determine proper supply decoupling for their design application. Removing these components from the evaluation board has not been shown to degrade RF performance.

Figure 11. Evaluation Board Layouts

Peregrine Specification 101/0079

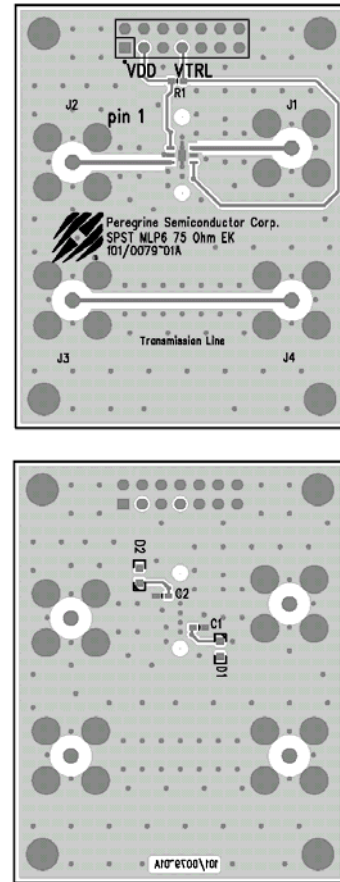


Figure 12. Evaluation Board Schematic

Peregrine Specification 102/0081

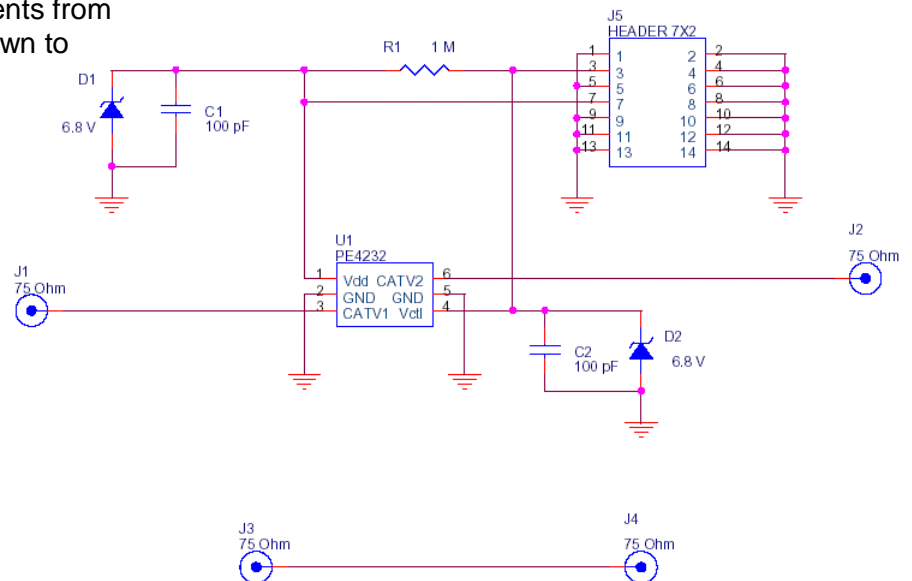
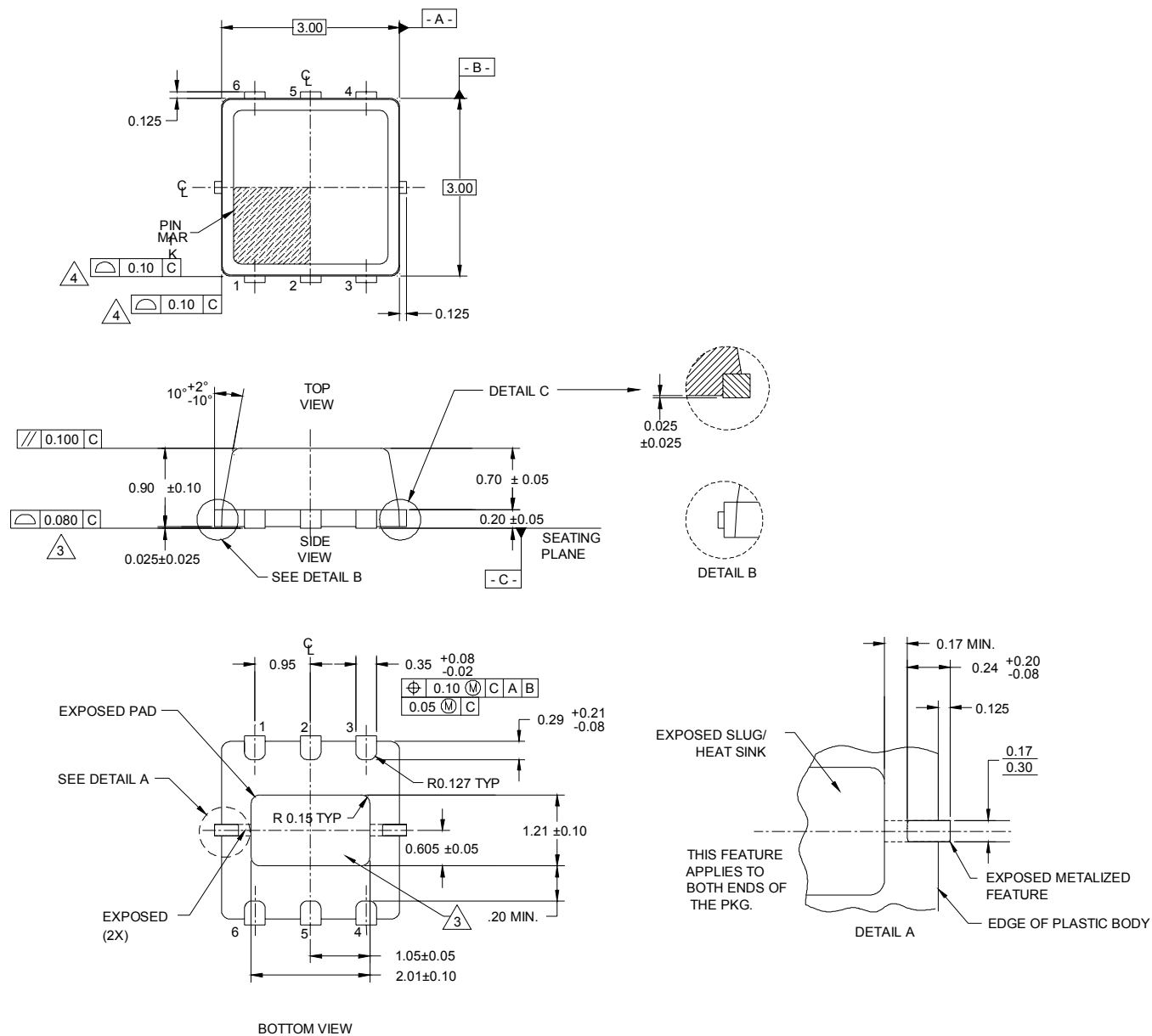


Figure 13. Package Drawing

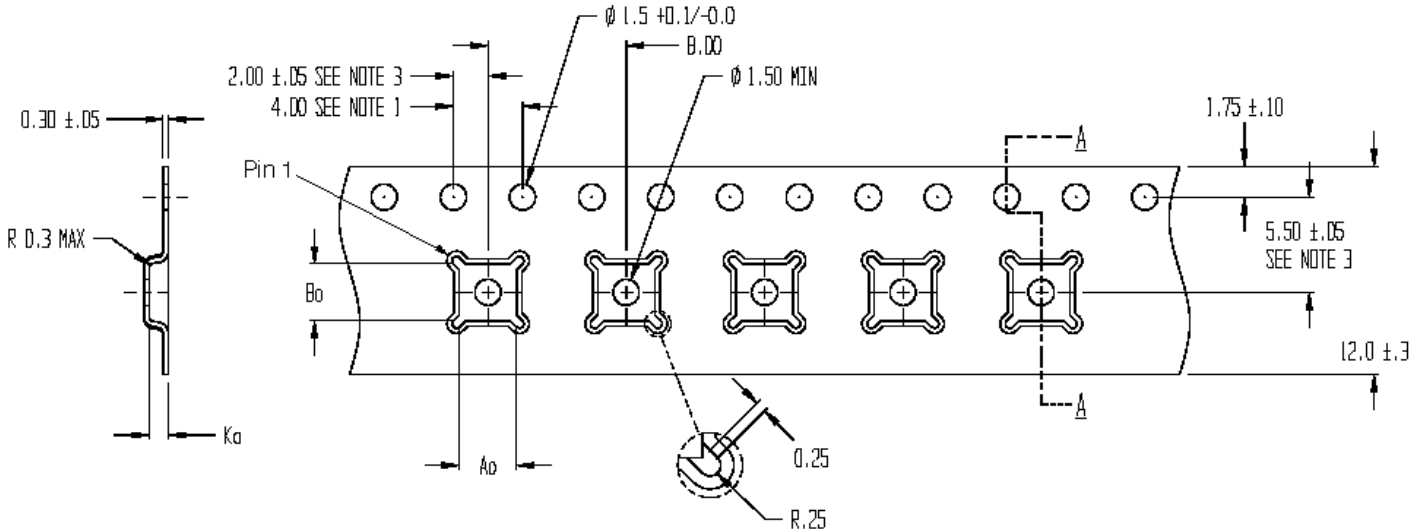
6-lead DFN



1. DIMENSIONS AND TOLERANCES ARE PER ANSI Y14.5
2. DIMENSIONS ARE IN MILLIMETERS, ANGLES ARE IN DEGREES.
3. COPLANARITY APPLIES TO EXPOSED HEAT SLUG AS WELL AS THE TERMINALS.
4. PROFILE TOLERANCE APPLIES TO PLASTIC BODY ONLY.

Figure 14. Tape and Reel Specifications

6-lead DFN



SECTION A - A

NOTES:

1. 10 SPROCKET HOLE PITCH CUMULATIVE TOLERANCE ± 0.2
2. CAMBER IN COMPLIANCE WITH EIA 481
3. POCKET POSITION RELATIVE TO SPROCKET HOLE MEASURED AS TRUE POSITION OF POCKET, NOT POCKET HOLE

Ao = 3.30
Bo = 3.30
Ka = 1.10

Table 6. Dimensions

Dimension	DFN 3x3 mm
Ao	3.23 \pm 0.1
Bo	3.17 \pm 0.1
Ko	1.37 \pm 0.1
P	4 \pm 0.1
W	8 +0.3, -0.1
T	0.254 \pm 0.02
R7 Quantity	3000
R13 Quantity	N.A.

Note: R7 = 7 inch Lock Reel, R13 = 13 inch Lock Reel

Table 7. Ordering Information

Order Code	Part Marking	Description	Package	Shipping Method
4240-01	4240	PE4240-06DFN 3x3mm-12800F	6-lead 3x3 mm DFN	12800 units / Canister
4240-02	4240	PE4240-06DFN 3x3mm-3000C	6-lead 3x3 mm DFN	3000 units / T&R
4240-00	PE4240-EK	PE4240-06DFN 3x3mm-EK	Evaluation Kit	1 / Box

Sales Offices

The Americas

Peregrine Semiconductor Corporation

9450 Carroll Park Drive
San Diego, CA 92121
Tel 858-731-9400
Fax 858-731-9499

Europe

Peregrine Semiconductor Europe

Bâtiment Maine
13-15 rue des Quatre Vents
F-92380 Garches, France
Tel: +33-1-47-41-91-73
Fax : +33-1-47-41-91-73

Space and Defense Products

Americas:

Tel: 505-881-0438
Fax: 505-881-0443

Europe, Asia Pacific:

180 Rue Jean de Guiramand
13852 Aix-En-Provence cedex 3, France
Tel: +33(0) 4 4239 3361
Fax: +33(0) 4 4239 7227

North Asia Pacific

Peregrine Semiconductor K.K.

5A-5, 5F Imperial Tower
1-1-1 Uchisaiwaicho, Chiyoda-ku
Tokyo 100-0011 Japan
Tel: +81-3-3502-5211
Fax: +81-3-3502-5213

Peregrine Semiconductor, Korea

#B-2402, Kolon Tripolis, #210
Geumgok-dong, Bundang-gu, Seongnam-si
Gyeonggi-do, 463-480 S. Korea
Tel: +82-31-728-4300
Fax: +82-31-728-4305

South Asia Pacific

Peregrine Semiconductor, China

Shanghai, 200040, P.R. China
Tel: +86-21-5836-8276
Fax: +86-21-5836-7652

For a list of representatives in your area, please refer to our Web site at: www.psemi.com

Data Sheet Identification

Advance Information

The product is in a formative or design stage. The data sheet contains design target specifications for product development. Specifications and features may change in any manner without notice.

Preliminary Specification

The data sheet contains preliminary data. Additional data may be added at a later date. Peregrine reserves the right to change specifications at any time without notice in order to supply the best possible product.

Product Specification

The data sheet contains final data. In the event Peregrine decides to change the specifications, Peregrine will notify customers of the intended changes by issuing a DCN (Document Change Notice).

The information in this data sheet is believed to be reliable. However, Peregrine assumes no liability for the use of this information. Use shall be entirely at the user's own risk.

No patent rights or licenses to any circuits described in this data sheet are implied or granted to any third party.

Peregrine's products are not designed or intended for use in devices or systems intended for surgical implant, or in other applications intended to support or sustain life, or in any application in which the failure of the Peregrine product could create a situation in which personal injury or death might occur. Peregrine assumes no liability for damages, including consequential or incidental damages, arising out of the use of its products in such applications.

The Peregrine name, logo, and UTSi are registered trademarks and UltraCMOS and HaRP are trademarks of Peregrine Semiconductor Corp.