

LOC	DIST	REVISIONS					
A	66	P	LTR	DESCRIPTION	DATE	DWN	APVD
			D2	SEE PRODUCT DRAWING	-	-	-


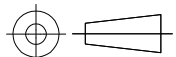
SEE PRODUCTION DRAWING
1385246

THIS DRAWING IS UNPUBLISHED.

ALL INTERNATIONAL RIGHTS RESERVED.

BY TYCO ELECTRONICS CORPORATION.

© COPYRIGHT

DIMENSIONS: INCHES	DWN	30APR2010	MATERIAL	-	FINISH	-	
	CHK	M.YOUNGER	 Tyco Electronics Corporation Harrisburg, PA 17105-3608				
TOLERANCES UNLESS OTHERWISE SPECIFIED:	APVD	-	NAME				
	PRODUCT SPEC	-	SIDE FEED HDM APPLICATOR				
	APPLICATION SPEC	-	SIZE	CAGE CODE	DRAWING NO	RESTRICTED TO	
0 PLC ± - 1 PLC ± - 2 PLC ± - 3 PLC ± - 4 PLC ± - ANGLES ± -	WEIGHT	-	A4	00779	C- 1385246	-	
	CUSTOMER DRAWING			SCALE	1:1	SHEET 1 OF 1	REV D2