

**PLEASE CHECK WWW.MOLEX.COM FOR LATEST PART INFORMATION**

**Part Number:** [0678005012](#)  
**Status:** **Active**  
**Overview:** [serial\\_ata\\_products](#)  
**Description:** 1.27mm (.050") Pitch Serial ATA High Speed Header, Vertical, Surface Mount, with Locking Latch, 7 Circuits, 0.76µm (30µ") Gold (Au) Plating, for 1.60mm (.063") PCB, with PCB Locator Pegs, Lead-free

**Documents:**

[3D Model](#) [RoHS Certificate of Compliance \(PDF\)](#)  
[Drawing \(PDF\)](#)

**Agency Certification**

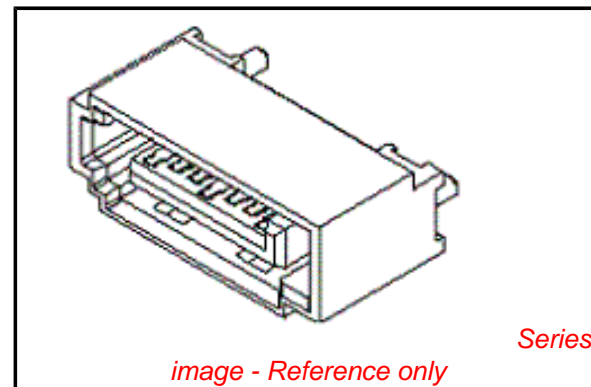
CSA LR 19980  
 UL E29179

**General**

Product Family PCB Headers  
 Series [67800](#)  
 Application Board-to-Board, Wire-to-Board  
 Comments Staggered Solder Pin|Metal Post Length 3.05mm (.120")  
 Overview [serial\\_ata\\_products](#)  
 Product Name Serial ATA

**Physical**

Breakaway No  
 Circuits (Loaded) 7  
 Circuits (maximum) 7  
 Color - Resin Black  
 Durability (mating cycles max) 50  
 First Mate / Last Break Yes  
 Flammability 94V-0  
 Glow-Wire Compliant No  
 Guide to Mating Part No  
 Keying to Mating Part Yes  
 Lock to Mating Part Yes  
 Material - Metal Brass  
 Material - Plating Mating Gold  
 Material - Plating Termination Tin  
 Material - Resin High Temperature Thermoplastic  
 Number of Rows 1  
 Orientation Vertical  
 PCB Locator Yes  
 PCB Retention Yes  
 Packaging Type Tray  
 Pitch - Mating Interface (in) 0.050 In  
 Pitch - Mating Interface (mm) 1.27 mm  
 Pitch - Term. Interface (in) 0.050 In  
 Pitch - Term. Interface (mm) 1.27 mm  
 Plating min: Mating (µin) 30  
 Plating min: Mating (µm) 0.76  
 Plating min: Termination (µin) 75  
 Plating min: Termination (µm) 1.9  
 Polarized to Mating Part Yes  
 Polarized to PCB Yes  
 Shrouded Fully  
 Stackable No



**EU RoHS**

**ELV and RoHS Compliant**  
**REACH SVHC**  
 Not Reviewed  
**Halogen-Free Status**  
**Not Reviewed**

**China RoHS**



**Need more information on product environmental compliance?**

Email [productcompliance@molex.com](mailto:productcompliance@molex.com)  
 For a multiple part number RoHS Certificate of Compliance, [click here](#)

Please visit the [Contact Us](#) section for any non-product compliance questions.

**Search Parts in this Series**  
[67800Series](#)

Temperature Range - Operating -35°C to +85°C  
Termination Interface: Style Surface Mount

**Electrical**

Current - Maximum per Contact 1.5A  
Voltage - Maximum 15V DC

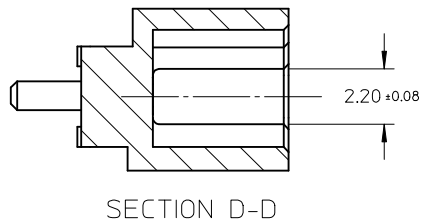
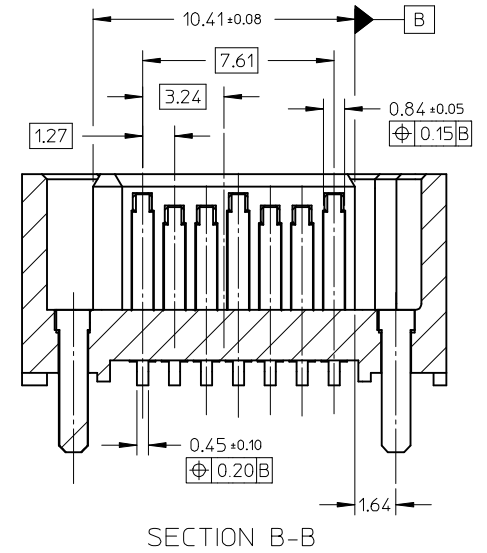
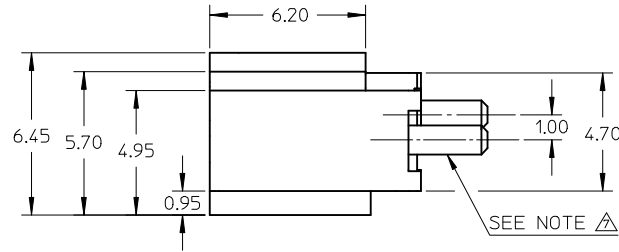
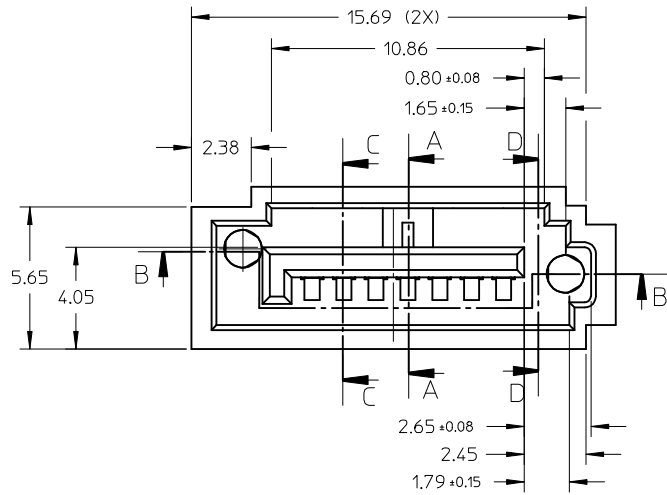
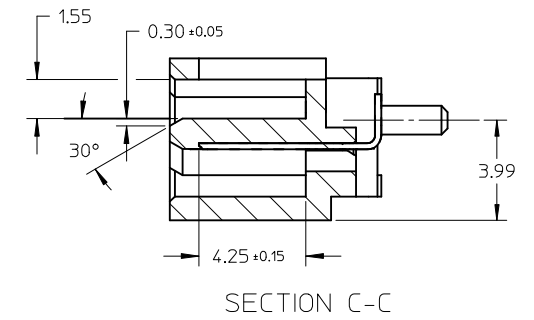
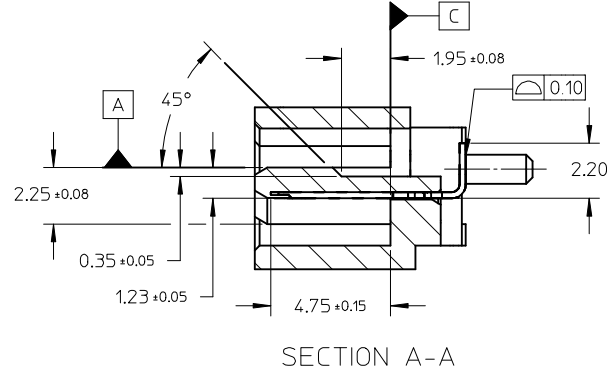
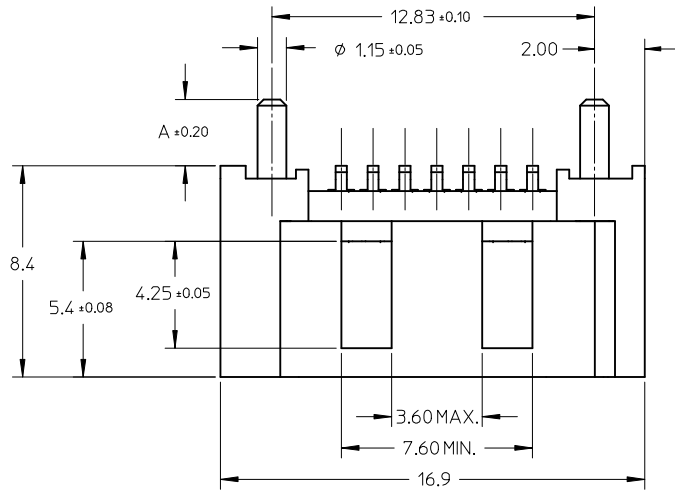
**Material Info**

**Reference - Drawing Numbers**

Packaging Specification PK-67800-001  
Sales Drawing SD-67800-005

This document was generated on 05/26/2010

**PLEASE CHECK [WWW.MOLEX.COM](http://WWW.MOLEX.COM) FOR LATEST PART INFORMATION**



REVISED EC NO: SH2010-0043 DRAWING: 2009/08/07 CHKD: XJSONG 2009/08/10 APPR: RZHANG 2009/09/13	DESCRIPTION	QUALITY SYMBOLS	GENERAL TOLERANCES (UNLESS SPECIFIED)		DIMENSION STYLE MM ONLY		SCALE 5:1	DESIGN UNITS METRIC	THIRD ANGLE PROJECTION	
		▽=0	mm	INCH	DRAWN BY GRATE MA	DATE 2004/02/02	TITLE	HIGH SPEED CONNECTOR 1.27MM PITCH VERTICAL SMT SOLDER TAIL		
		□=0	4 PLACES ± --- ± ---	3 PLACES ± --- ± ---	CHECKED BY YA JUN	DATE 2004/02/02	MOLEX INCORPORATED			
			2 PLACES ± 0.15 ± ---	1 PLACE ± 0.25 ± ---	APPROVED BY SAM	DATE 2004/02/02	DOCUMENT NO. SD-67800-005	SHEET NO. 1 OF 2		
		ANGULAR ± 1 °	DRAFT WHERE APPLICABLE MUST REMAIN WITHIN DIMENSIONS		SEE SHEET 2		THIS DRAWING CONTAINS INFORMATION THAT IS PROPRIETARY TO MOLEX INCORPORATED AND SHOULD NOT BE USED WITHOUT WRITTEN PERMISSION			

NOTES:

1. MATERIAL:

HOUSING: HIGH TEMPERATURE THERMAL PLASTIC, GLASS FILLED,  
UL94V-0, COLOR: REFER TO CHART.

TERMINAL: BRASS

POST: BRASS

2. TERMINAL PLATING:

CONTACT AREA: (a) GOLD FLASH

(b) GOLD, THICKNESS=0.76 MICRON MINIMUM

(c) GOLD, THICKNESS=0.38 MICRON MINIMUM

SOLDER TAIL: TIN, THICKNESS=1.27 MICRON MINIMUM

UNDER PLATE: NICKEL PLATED, THICKNESS=1.27 MICRON MINIMUM

3. POST PLATING: UNDER PLATE: NICKEL, THICKNESS=1.25 MICRON MINIMUM

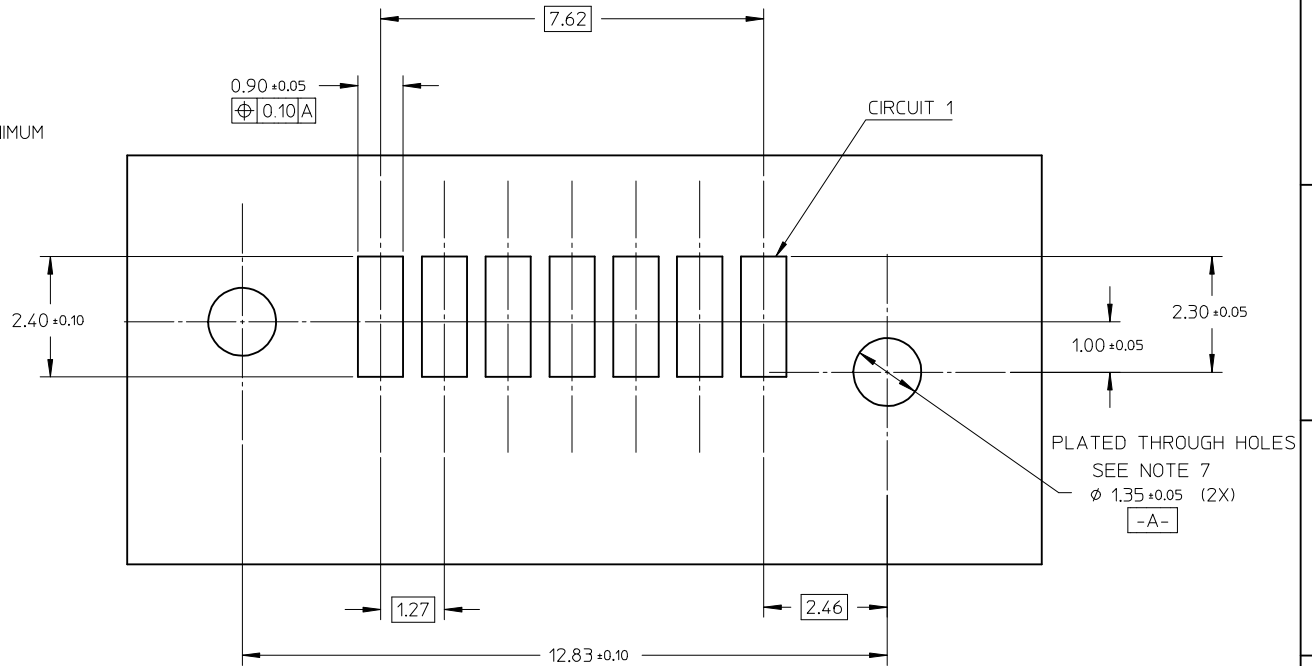
TIN, THICKNESS=1.9 MICRON MINIMUM OVER ALL

4. PACKAGING: PK-67800-001

5. PRODUCT SPECIFICATION REFER TO PS-67491-001

6. RECOMMENDED SOLDERING PROCESS: IR PROCESS

△ METAL POSTS TO BE SOLDERED TO PCB



RECOMMENDED P.C.B LAYOUT  
CONNECTOR SIDE

678005025	SEE NOTE2(c)	BLACK	3.45	PURE TIN
678005022	SEE NOTE2(b)			
678005021	SEE NOTE2(a)			
678005015	SEE NOTE2(c)	BLACK	3.05	
678005012	SEE NOTE2(b)			
678005011	SEE NOTE2(a)	BLACK	2.65	
678005005	SEE NOTE2(c)			
678005004	SEE NOTE2(c)			
678005003	SEE NOTE2(c)	BLUE	2.65	
678005002	SEE NOTE2(b)	BLACK		
678005001	SEE NOTE2(a)			
MATERIAL NO	PLATING TYPE	HOUSING COLOR	DIM A	REMARK

REVISED EC NO: SH2010-0043 2009/08/07 TIDRWINGLLI CHKD:XJSONG APPR:RZHANG 2009/08/10 2009/09/13	QUALITY SYMBOLS ▽=0 □=0	GENERAL TOLERANCES (UNLESS SPECIFIED)		DIMENSION STYLE MM ONLY		SCALE 5:1	DESIGN UNITS METRIC	THIRD ANGLE PROJECTION		
			mm	INCH	DRAWN BY	DATE	TITLE			
		4 PLACES	± ---	± ---	GRATE MA	2004/02/02	HIGH SPEED CONNECTOR 1.27MM PITCH VERTICAL SMT SOLDER TAIL			
		3 PLACES	± ---	± ---	CHECKED BY	DATE				
2 PLACES	± 0.15	± ---	YA JUN	2004/02/02	MOLEX INCORPORATED					
1 PLACE	± 0.25	± ---	APPROVED BY	DATE						
ANGULAR ± 1 °			SAM	2004/02/02	MATERIAL NO.		DOCUMENT NO.		SHEET NO.	
DRAFT WHERE APPLICABLE MUST REMAIN WITHIN DIMENSIONS			SEE CHART		SD-67800-005		2 OF 2			
THIS DRAWING CONTAINS INFORMATION THAT IS PROPRIETARY TO MOLEX INCORPORATED AND SHOULD NOT BE USED WITHOUT WRITTEN PERMISSION										