

# HIGH PERFORMANCE PRESSURE SENSOR MODEL 6-13

The **Model 6-13** is uniquely designed for use in a broad variety of applications where accurate, reliable, high performance pressure measurement is required.

The **Model 6-13** utilizes a micro-machined silicon pressure sensor that is isolated for all media by a 316L stainless steel diaphragm and high performance digital temperature compensation ASIC. This translates into excellent linearity, increased long-term stability & reliability.

Micro-machined silicon pressure sensors provide accuracies down to  $\pm 0.20\%$  with effectively no hysteresis and a long-term drift of less than 0.15% FSO for one (1) year & proof pressures greater than 3X the rated pressure.

All **Model 6-13** configurations have extremely robust EMI/RFI protection. The **Model 6-13** will not shift, drift, or fail in an EMI/RFI environment of greater than 10 volts/meter up to 1.0GHz.

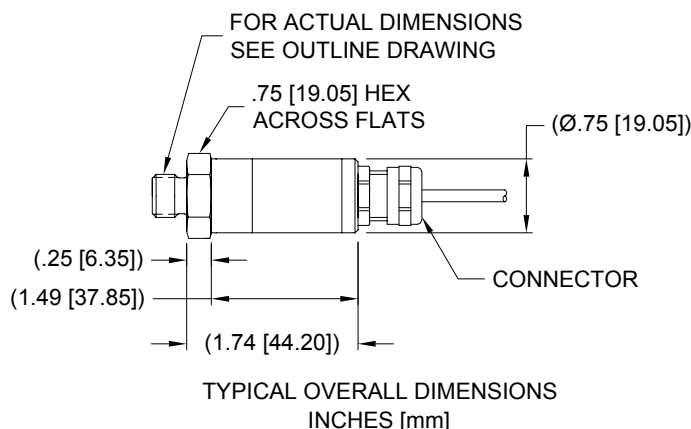
The **Model 6-13** is hermetically sealed by welding & conforms to NEMA 4 & 4X enclosure requirements. (Except for vented gage configurations.)



*Wide Choice of  
Pressure Ranges & Fittings*

*Highly  
Corrosion Resistant*

*Exceptional  
Long-term Stability*



COLOR	FUNCTION	PIN	DESCRIPTION
RED	V+	A(1)	VOLTAGE IN
BLK	V-	B(2)	SIGNAL OUT
WHT	V0	C(3)	NOT USED
GRN	CG	D(4)	CASE GND
		E	NOT USED
		F	NOT USED

- *Process Control Systems*
- *Natural Gas Production*
- *Liquid Level Measurement*
- *Gas Compressors*
- *Chemical Processing Systems*
- *Wastewater Treatment*
- *Chemical Processing Systems*
- *Pulp & Paper Processing*

# MODEL 6-13

# HIGH PERFORMANCE PRESSURE TRANSDUCER

## Product Specifications

### Performance

Output Signal	4 - 20mADC
Accuracy L, R & H	±0.35%FSO (BFSL)
Zero Offset	±1.0%FSO
Long-term Stability	±0.50%FSO/Year
Compensated Temperature	0°C to 85°C (32°F to 185°F)
Temperature Effect	Zero: ±2.0% FSO Span: ±2.0% FSO

### Operating

Input Power	8 - 30 VDC (@ 25mA Max)
Insulation Resistance	100 megohms @ 50 VDC
Reverse Polarity	Protected
Proof Pressure	150% of Rated Range
Burst Pressure	200% of Rated Range
Weight	72g (2.5oz)

### Environmental

Max Operating Temperature	-40°C to 125°C (-40°F to 257°F)
EMI/RFI	10volts/meter up to 1.0GHz
Wetted Parts	316L SST
Vibration	15 G's, 10-2000Hz
Shock	100 G's for 11ms, Half-sine
Enclosure	NEMA 4 & 4X
Life	100 MM Full Scale Cycles

## Ordering Information

**6 - 13 X - XX X X - XX**

### Instrument Family

6 = Micro-machined Silicon

### Sensor Type

13 = Pressure Transmitter

### Reference Pressure

0 = Absolute 1 = Vented Gage 2 = Sealed Gage

### Pressure Ranges \*\*

00 = 3 PSI #	08 = 100 PSI #	16 = 2000 PSI *
01 = 5 PSI #	09 = 150 PSI #	17 = 3000 PSI *
02 = 15 PSI #	10 = 200 PSI #	18 = 5000 PSI *
03 = 20 PSI #	11 = 250 PSI #	19 = 6000 PSI *
04 = 25 PSI #	12 = 300 PSI #	20 = 7500PSI *
05 = 30 PSI #	13 = 500 PSI *	21 = 10, 000 PSI *
06 = 50 PSI #	14 = 1000 PSI *	
07 = 60 PSI #	15 = 1500 PSI *	

# Absolute & Vented Gage \* Sealed Gage Only

\*\* Calibration in bars available, consult factory for details

### Pressure Fittings

0 = MS33656-E4 Male	4 = 1/4-18 NPT, Female
1 = 7/16-20 Straight, Male	5 = 9/16-18 Straight, Male
2 = 1/4-18 NPT, Male	Flush Diaphragm
3 = 1/8-27 NPT, Male	

### Electrical Connections

0 = PT1H-10-6P	3 = 5-Wire Shielded
1 = 3-Wire Cable	4 = DIN43650 Form C
2 = PT1H-8-4P	5 = Hirschmann ELST 412

### Custom Configurations

00 = No Custom Requirements



*An Electromotive Solutions Company*  
**ISO 9001:2000 & AS9100:2004 Certified**

2800 ANVIL STREET NORTH ST. PETERSBURG, FL 33710 USA  
 PHONE: (727) 347-2181 Fax: (727) 347-7520 Email: sales@vsensors.com