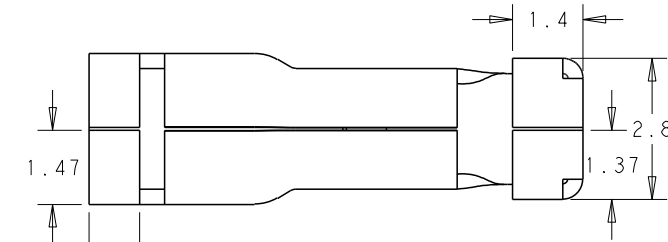
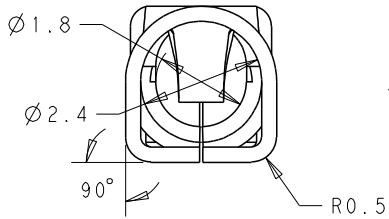
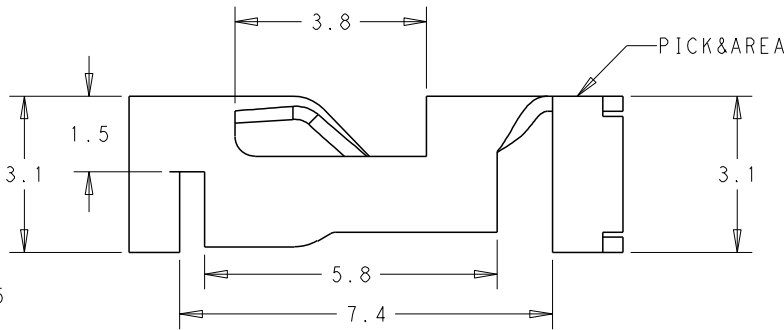
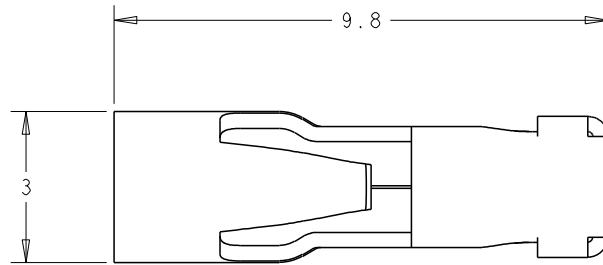


THIS DRAWING IS UNPUBLISHED. RELEASED FOR PUBLICATION 20
 (C) COPYRIGHT 20 BY - ALL RIGHTS RESERVED.

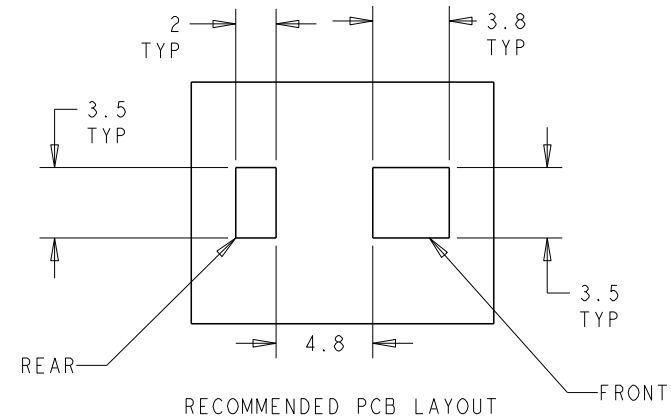
REVISIONS					
P	LTR	DESCRIPTION	DATE	DWN	APVD
	A	ECR-15-012173, RELEASE TO PRODUCTION	18AUG2015	GF	SM
	A1	ECR-15-012490, UPDATE NOTE DESCRIPTION	24AUG2015	GF	SM

NOTES :


- △ MATERIALS AND FINISH:
 - CONTACTS: COPPER ALLOY, FINISH: TIN OVER NICKEL UNDERPLATE
- MUST COMPLY WITH DIRECTIVE 2002/95/EC (ROHS)
- WIRE TYPES AND SIZES ACCEPTED
 WIRE SIZE: 16AWG SOLID
 18AWG SOLID & STRANDED (CONDUCTOR NO:16)
 20AWG SOLID & STRANDED (CONDUCTOR NO:7)
 MAX INSULATION OD: 2.1mm MAX.
 STRIP LENGTH: 7.0 +/- 0.3mm
- PACKAGED IN TAPE AND REEL



SCALE 10:1



P/N: 2834012-3

THIS DRAWING IS A CONTROLLED DOCUMENT.		DWN	GEORGE FU 24AUG2015		 TE Connectivity
		CHK	SHI MING 24AUG2015		
		APVD	XU XIANG 24AUG2015		
		NAME	SLIM CONTACT		
DIMENSIONS: mm		TOLERANCES UNLESS OTHERWISE SPECIFIED:		PRODUCT SPEC	
		0 PLC ±- 1 PLC ±0.20 2 PLC ±0.13 3 PLC ±- 4 PLC ±- ANGLES ±-		108-137049	
MATERIAL		FINISH		APPLICATION SPEC	
△ 1		△ 1		114-137049	
		CUSTOMER DRAWING		SIZE	RESTRICTED TO
				A3	-
				CAGE CODE	DRAWING NO
				-	©=2834012
				SCALE	SHEET
				10:1	1 OF 1
				REV	A1