

**PLEASE CHECK WWW.MOLEX.COM FOR LATEST PART INFORMATION**

**Part Number:** [0943285001](#)  
**Status:** **Active**  
**Description:** SMT, Micro Spring Contact for Board to Board Connection

**Documents:**

[Drawing \(PDF\)](#) [RoHS Certificate of Compliance \(PDF\)](#)  
[Product Specification PS-94328-001 \(PDF\)](#)

**General**

Product Family	Accessories
Series	<a href="#">94328</a>
Component Type	Clip
Product Name	N/A

**Physical**

Circuits (Loaded)	1
Packaging Type	Reel

**Solder Process Data**

Duration at Max. Process Temperature (seconds)	15
Lead-free Process Capability	Reflow Capable (SMT only)
Max. Cycles at Max. Process Temperature	4
Process Temperature max. C	265

**Material Info**

**Reference - Drawing Numbers**

Product Specification	PS-94328-001, RPS-94328-001
Sales Drawing	SD-94328-001

**EU RoHS**

**ELV and RoHS  
Compliant**  
**REACH SVHC  
Contains SVHC: No**  
**Halogen-Free  
Status**

**China RoHS**



**Not Reviewed**

**Need more information on product  
environmental compliance?**

Email [productcompliance@molex.com](mailto:productcompliance@molex.com)  
For a multiple part number RoHS Certificate of  
Compliance, [click here](#)

Please visit the [Contact Us](#) section for any  
non-product compliance questions.

**Search Parts in this Series**  
[94328Series](#)

7

6

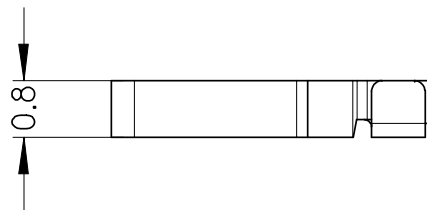
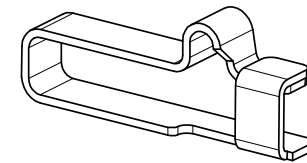
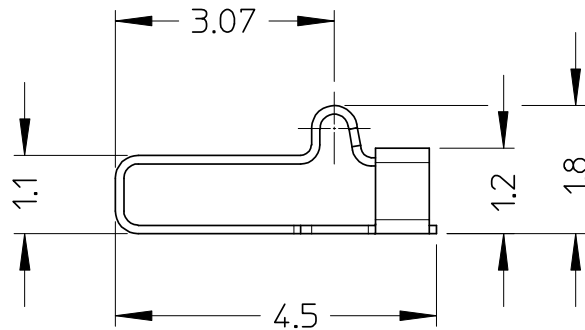
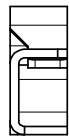
5

4

3

2

1



NOTES:

- 1. MATERIAL: BERYLLIUM COPPER 0.127 mm THICK.  
0.07 μm MIN. Au OVER 1.27 μm MIN. Ni
- 2. CONTACT NORMAL FORCES @0.4 mm  
DEFLECTION 0.30 N ±0.15 N
- 3. PACKAGING: T&R 8000 PCS/REEL,  
8 REEL/BOX (SPQ=64000 PCS)

Std.Descr.: "MICRO SPRING CONTACT"

ENTER DESCRIPTION EC NO: Z2008-0143 DRWN:FGOTTARD 2008/03/17 CHKD:LSANTESSO 2008/03/17 APPR:GZUIN 2008/03/18	DESCRIPTION REV	QUALITY SYMBOLS	GENERAL TOLERANCES (UNLESS SPECIFIED)	DIMENSION STYLE	SCALE	DESIGN UNITS	FIRST ANGLE PROJECTION		
		=0 =0	mm      INCH 4 PLACES ± --- ± --- 3 PLACES ± --- ± --- 2 PLACES ± 0.10 ± --- 1 PLACE ± 0.15 ± --- ANGULAR ± ---°	MM ONLY	10:1	METRIC			
		DRAFT WHERE APPLICABLE MUST REMAIN WITHIN DIMENSIONS			DRAWN BY	DATE	TITLE		
					CHECKED BY	DATE	MICRO SPRING CONTACT		
					APPROVED BY	DATE	MOLEX INCORPORATED		
			MATERIAL NO.	94328-5001	DOCUMENT NO.	SD-94328-001	SHEET NO. 1 OF 1		
			THIS DRAWING CONTAINS INFORMATION THAT IS PROPRIETARY TO MOLEX INCORPORATED AND SHOULD NOT BE USED WITHOUT WRITTEN PERMISSION						

6

5

4

3

2

1