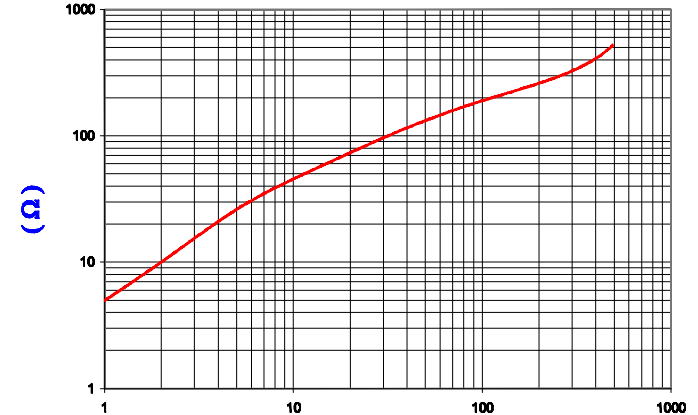


IMPEDANCE ( Z )			
Frequency	25 MHz	100 MHz	300 MHz
Nominal (REF)	75 $\Omega$	170 $\Omega$	320 $\Omega$
Minimum	- $\Omega$	136 $\Omega$	- $\Omega$

Z vs. FREQUENCY  
(REF. ONLY)



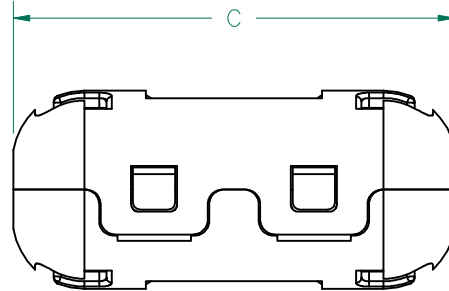
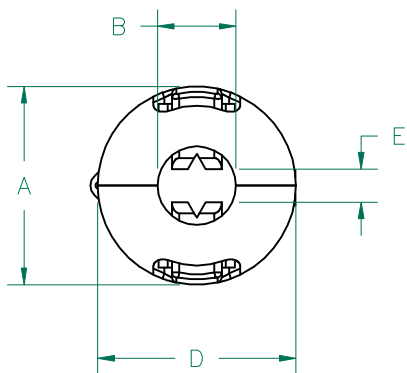
FREQUENCY (MHz)

AGILENT E4991A Impedance/Material Analyzer  
HP 16092A-Test Fixture REF 3219

FERRITE CORE DIMENSIONS:

A	9.96 [.392]	$\pm$	0.15 [.006]
B	4.88 [.192]	$\pm$	0.13 [.005]
C	20.50 [.807]	$\pm$	0.25 [.010]
D	4.14 [.163]	$\pm$	0.13 [.005]

**UNCONTROLLED DOCUMENT**



CASE DIMENSIONS:

A	13.72 [.540]	$\pm$	REF.
B	5.44 [.214]	$\pm$	REF.
C	30.56 [1.203]	$\pm$	REF.
D	13.72 [.540]	$\pm$	REF.
E	2.29 [.090]	$\pm$	REF.

NOTES:

1. ASSEMBLED PART #: 28A0392-0A0
2. CASE COLOR: WHITE
3. CASE MATERIAL: HALOGEN FREE POLYPROPYLENE OR NYLON, UL94 V=2 OR BETTER FOR FLAMMABILITY

DIMENSIONS ARE IN mm [INCHES].				This print is the property of Laird Tech. and is loaned in confidence subject to return upon request and with the understanding that no copies shall be made without the written consent of Laird Tech. All rights to design or invention are reserved.				
REV	DESCRIPTION	DATE	INT					
Y	ADD NOTES 3	10/29/10	Jcai	PROJECT/PART NUMBER: <b>28A0392-0A0</b>		REV	FERRITE	DRAWN BY:
X	UPDATE COMPANY LOGO	08/11/09	JRK			Y	SNAP ON	DTR
W	UPDATE 100MHz MINIMUM VALUE	06/26/07	TMB	DATE: 09/02/94		SCALE:	NTS	MATERIAL:
V	UPDATE COMPANY LOGO	04/17/07	TMB			CAD #	28A0392-0A0-Y	TOOL #
U	CHANGE CASE TOLERANCES TO REF ADD DIMENSION E TO CASE CALLOUT RE-MOVE CORE & CASE REF REVISE NOTES	02/05/07	TMB	DATE: 09/02/94		SCALE: NTS MATERIAL: NiZn Ferrite		
T	UPDATE CORE AND CASE DESIGN REVISE NOTES	09/22/05	TMB					
S	CHANGE TOLS ON B & D DIMENSIONS	01/07/05	JRK	DATE: 09/02/94		SCALE: NTS MATERIAL: NiZn Ferrite		
REV	DESCRIPTION	DATE	INT					