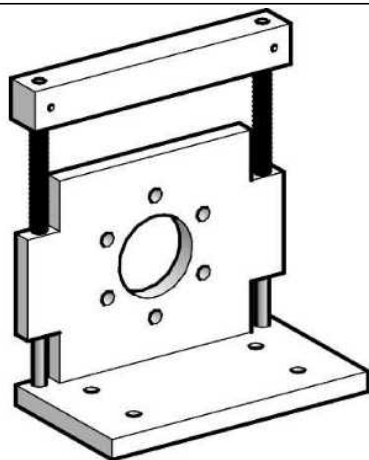


XCCRE5RN

bracket with play compensator - for encoder Ø 58

Product availability: Non-Stock - Not normally stocked in distribution facility



Main

Commercial Status	Commercialised
Accessory / separate part category	Fixing accessories
Accessory / separate part type	Fixing bracket

Complementary

Accessory / separate part designation	Bracket with play compensator
Product compatibility	XCC1510P XCC2510P XCC3510PS84S
Product weight	0.76 lb(US) (0.345 kg)

Ordering and shipping details

Category	21581 - ENCODERS, XCC
Discount Schedule	DS2
GTIN	003389119018999
Nbr. of units in pkg.	1
Package weight(Lbs)	0.76
Product availability	Non-Stock - Not normally stocked in distribution facility
Returnability	N
Country of origin	FR

Offer Sustainability

Sustainable offer status	Not Green Premium product
RoHS	Compliant - since 0701 - Schneider Electric declaration of conformity

Contractual warranty

Period	18 months
--------	-----------

The information provided in this documentation contains general descriptions and/or technical characteristics of the performance of the products contained herein. This documentation is not intended as a substitute for and is not to be used for determining suitability or reliability of these products for specific user applications. It is the duty of any such user or integrator to perform the appropriate and complete risk analysis, evaluation and testing of the products with respect to the relevant specific application or use thereof. Neither Schneider Electric Industries SAS nor any of its affiliates or subsidiaries shall be responsible or liable for misuse of the information contained herein.