

Honeywell

**SMALL PRECISION  
LIMIT SWITCH**

CATALOGUE LISTING  
**914CE SERIES**  
CHART MTG-CE-12

SWITCH TYPE	ISSUE	RELEASE NUMBER	OPTIONS	OPERATING FORCE (MAX)	
				NEWTONS	GMF
914CE20	6	MEC87/118	NONE, A, C, F, G, LI	0.55	56

914CE SERIES  
CHART MTG-CE-12

REPLACES

DRAWING NUMBER

ISSUE

4

RELEASE NUMBER

MEC87/118

REVISIONS

2 30.10.91

3 8.2.93

MS11818

4 30.10.95

CNI15324

CNI16516

CHECK

TRACED

DRAWN PC

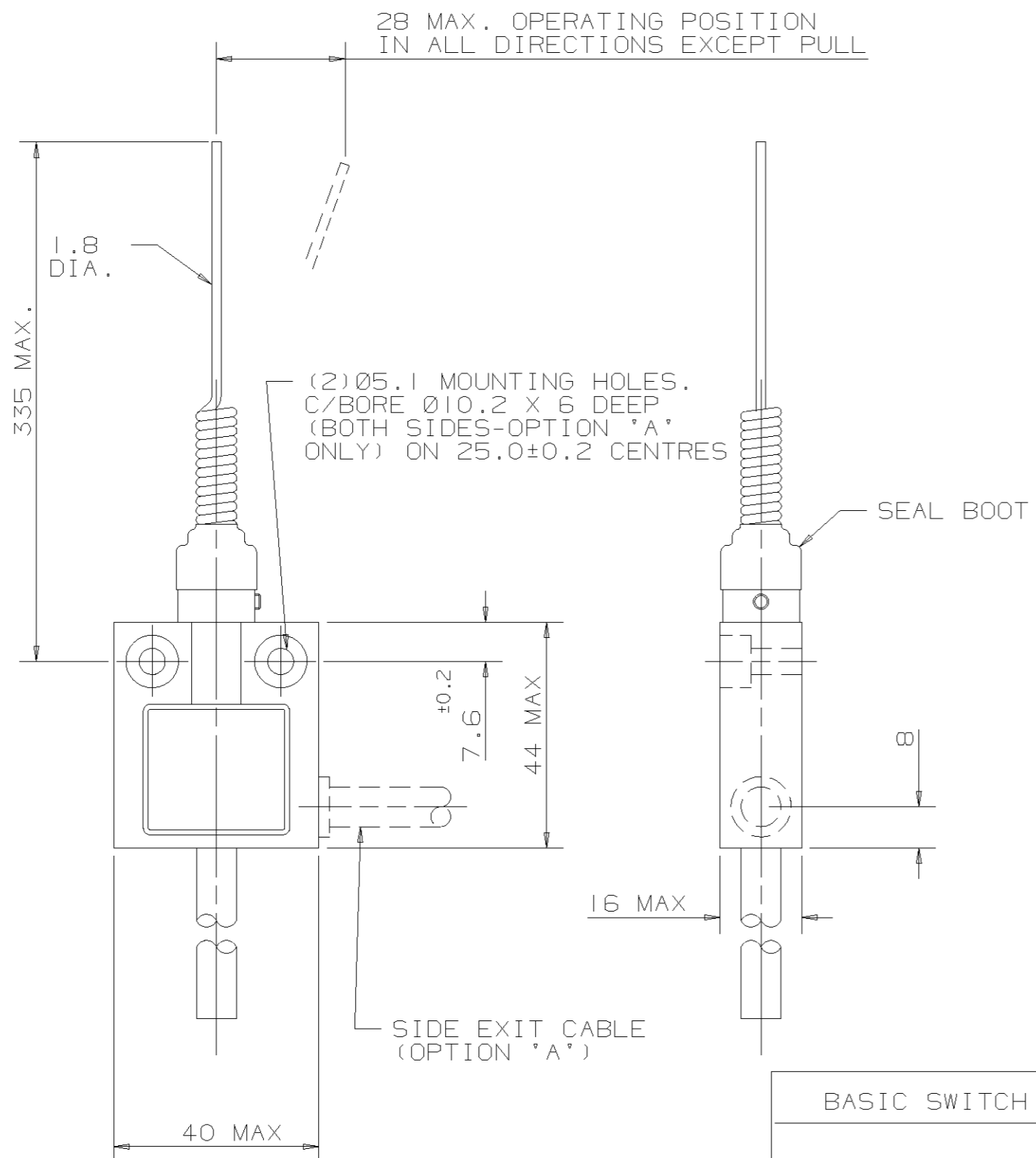
RELEASE NUMBER

CHECK

TRACED

DRAWN PC

10.11.87



CATALOGUE LISTING CONVENTION

OPTIONS CAN BE COMBINED WITHIN LOGICAL LIMITS (EG. 914CE20-3AG)



CABLE LENGTH  
LENGTH IN FEET

- OPTIONS
- A- SIDE ENTRY
  - C- DOUBLE BREAK BASIC
  - F- BIFURCATED GOLD CONTACTS
  - G- GOLD CONTACTS
  - LI- LOW TEMP. (-40°C) CONSTRUCTION  
CABLE NOT SUITABLE FOR FLEXING  
AT MINUS TEMPERATURES

**DO NOT SCALE DRAWING**

NOTES:-

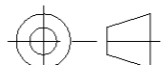
1. DIE CAST HOUSING FINISHED WITH GREY PAINT.
  2. TEMPERATURE RANGE : 0°C TO + 70°C (STANDARD).
  3. LOW TEMP. RANGE : -40°C TO +70°C
- △ ALL LOGICAL LISTINGS ARE IEC 947-5-1 APPROVED EXCEPT:- OPTIONS C, F, G.

DIMENSIONS IN MM  
TOLERANCES  
UNLESS OTHERWISE  
SPECIFIED  
±0.15

BASIC SWITCH	ELECTRICAL RATINGS	CIRCUIT DIAGRAM	CABLE
STANDARD SILVER CONTACTS	 5A - 250VAC 1/10HP - 125/250VAC LRI5775	IEC 947-5-1 EN60947-5-1 AC14 D300 DC13 R300 	4 X 18 A.W.G. SJTO (UL/CSA APPROVED)
BIFURCATED GOLD- OPTION 'F' OR GOLD CONTACTS- OPTION 'G'	 21mA 24VDC LRI5775	CONTACT ARRANGEMENT:- S.P.D.T.	
DOUBLE BREAK SILVER CONTACTS -OPTION 'C'	 5A - 250VAC 1/10HP - 125/250VAC LRI5775		5-CORE P.V.C.SHEATHED (UL LISTED)

THE COPYRIGHT OF THIS DRAWING IS THE PROPERTY OF HONEYWELL LTD. THE DRAWING IS SUPPLIED IN CONFIDENCE AND MUST NOT BE USED FOR ANY PURPOSE OTHER THAN THAT FOR WHICH IT IS SUPPLIED.

THIRD ANGLE PROJECTION



MODIFY ON CAD3D SYSTEM ONLY

SCALE:- 1/1

DIMENSIONS ARE IN MM

CAD REF:-