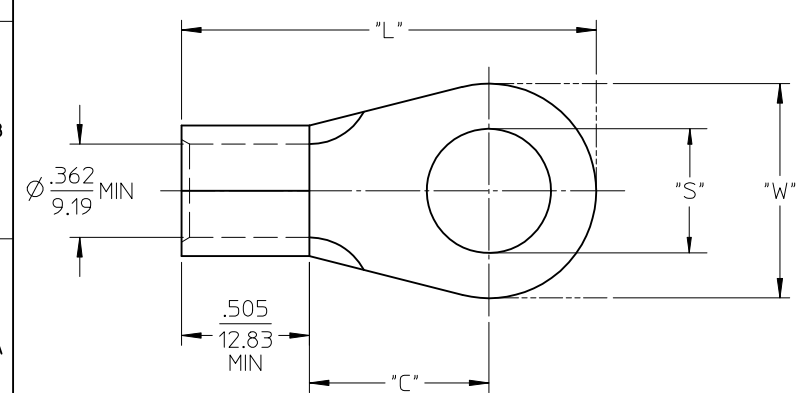
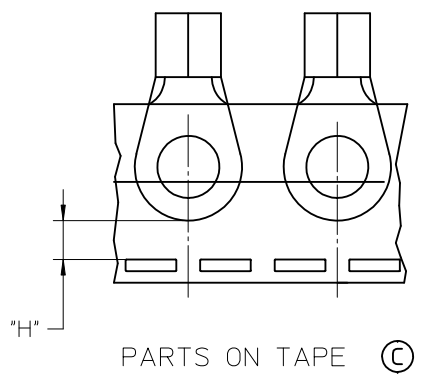


	10	9	8	7	6	5	4	3	2	1
	MATERIAL NO. LOOSE PIECE	ENGINEERING P/N LOOSE	MATERIAL NO. TAPE MOUNTED	ENGINEERING P/N TAPED	STUD SIZE	"S" ±.005/0.13	"W" MAX.	"C" MIN.	"L" MAX.	"H" ±.02 /0.5
F	191930303	G-375-10	191930958	G-375-10T	10	.198/5.03	.645/16.38	.703/17.86	1.583/40.21	.43/10.9
F	191930305	G-375-14	191930959	G-375-14T	1/4"	.265/6.73	.645/16.38	.703/17.86	1.583/40.21	.43/10.9
F	191930309	G-375-56	191930960	G-375-56T	5/16"	.328/8.33	.645/16.38	.703/17.86	1.583/40.21	.43/10.9
F	191930307	G-375-38	191930961	G-375-38T	3/8"	.390/9.91	.645/16.38	.703/17.86	1.583/40.21	.43/10.9
F	191930311	G-375-76	-	-	7/16"	.453/11.51	.645/16.38	.703/17.86	1.583/40.21	-
F	191930297	G-374-14	-	-	1/4"	.265/6.73	.879/22.33	.703/17.86	1.700/43.18	-
F	191930299	G-374-56	-	-	5/16"	.328/8.33	.879/22.33	.703/17.86	1.700/43.18	-
F	191930298	G-374-38	-	-	3/8"	.390/9.91	.879/22.33	.703/17.86	1.700/43.18	-
E	191930302	G-374-76	191930991	G-374-76T	7/16"	.453/11.51	.879/22.33	.703/17.86	1.700/43.18	.31/7.9
E	191930296	G-374-12	191930962	G-374-12T	1/2"	.515/13.08	.879/22.33	.703/17.86	1.700/43.18	.31/7.9
E	191930301	G-374-58	191930963	G-374-58T	5/8"	.653/16.59 (C)	.879/22.33	.703/17.86	1.700/43.18	.31/7.9
E	191930313	G-376-14	-	-	1/4"	.265/6.73	.895/22.73	.990/25.15	1.995/50.67	-
E	191930315	G-376-56	-	-	5/16"	.328/8.33	.895/22.73	.990/25.15	1.995/50.67	-
E	191930314	G-376-38	-	-	3/8"	.390/9.91	.895/22.73	.990/25.15	1.995/50.67	-
E	191930317	G-376-76	-	-	7/16"	.453/11.51	.895/22.73	.990/25.15	1.995/50.67	-
D	191930312	G-376-12	-	-	1/2"	.515/13.08	.895/22.73	.990/25.15	1.995/50.67	-
D	191930316	G-376-58	-	-	5/8"	.656/16.66	.895/22.73	.990/25.15	1.995/50.67	-
D	191930319	G-377-14	-	-	1/4"	.265/6.73	1.270/32.26	.990/25.15	2.183/55.45	-
D	191930322	G-377-56	-	-	5/16"	.328/8.33	1.270/32.26	.990/25.15	2.183/55.45	-
D	191930321	G-377-38	-	-	3/8"	.390/9.91	1.270/32.26	.990/25.15	2.183/55.45	-
D	191930324	G-377-76	-	-	7/16"	.453/11.51	1.270/32.26	.990/25.15	2.183/55.45	-
D	191930318	G-377-12	-	-	1/2"	.515/13.08	1.270/32.26	.990/25.15	2.183/55.45	-
C	191930611	G-377-58	-	-	5/8"	.656/16.66	1.270/32.26	.990/25.15	2.183/55.45	-
C	191930320	G-377-34	-	-	3/4"	.781/19.84	1.270/32.26	.990/25.15	2.183/55.45	-



- NOTES:
1. MATERIAL: MATTE-TIN PLATED COPPER
 2. WIRE SIZE: 2 AWG/ 26.6-42.4 mm²
 3. PARTS ARE ROHS COMPLIANT.

SALES DRAWING

REDRAWN FROM SD-19193-007, -028, -029, -030
DRAWN BY DLM 07/2003

CONSOL. ADD TAPE EC NO: WNA2011-0538 DRAWN: ETHRODAHL 2011/05/05 CHKD: JMACNEIL 2011/05/05 APPR: JMACNEIL 2011/06/03	DESCRIPTION REV	QUALITY SYMBOLS ▽=0 ▽=0	GENERAL TOLERANCES (UNLESS SPECIFIED) <table border="1"> <tr> <th></th> <th>mm</th> <th>INCH</th> </tr> <tr> <td>4 PLACES</td> <td>± ---</td> <td>± ---</td> </tr> <tr> <td>3 PLACES</td> <td>± ---</td> <td>± .005</td> </tr> <tr> <td>2 PLACES</td> <td>± 0.13</td> <td>± .010</td> </tr> <tr> <td>1 PLACE</td> <td>± 0.25</td> <td>± .020</td> </tr> <tr> <td colspan="3" style="text-align: center;">ANGULAR ± ---°</td> </tr> </table>		mm	INCH	4 PLACES	± ---	± ---	3 PLACES	± ---	± .005	2 PLACES	± 0.13	± .010	1 PLACE	± 0.25	± .020	ANGULAR ± ---°			DIMENSION STYLE IN/MM DRAWN BY DATE ETHRODAHL 2011/05/05 CHECKED BY DATE JMACNEIL 2011/05/05 APPROVED BY DATE JMACNEIL 2011/06/03	SCALE --- DESIGN UNITS INCH THIRD ANGLE PROJECTION	TITLE RING TONGUE TERMINAL VERSAKRIMP, 2 AWG
			mm	INCH																				
		4 PLACES	± ---	± ---																				
		3 PLACES	± ---	± .005																				
2 PLACES	± 0.13	± .010																						
1 PLACE	± 0.25	± .020																						
ANGULAR ± ---°																								
DRAFT WHERE APPLICABLE MUST REMAIN WITHIN DIMENSIONS			MATERIAL NO. SEE CHART	DOCUMENT NO. SD-19193-038	SHEET NO. 1 OF 1																			
THIS DRAWING CONTAINS INFORMATION THAT IS PROPRIETARY TO MOLEX INCORPORATED AND SHOULD NOT BE USED WITHOUT WRITTEN PERMISSION																								
MOLEX INCORPORATED																								