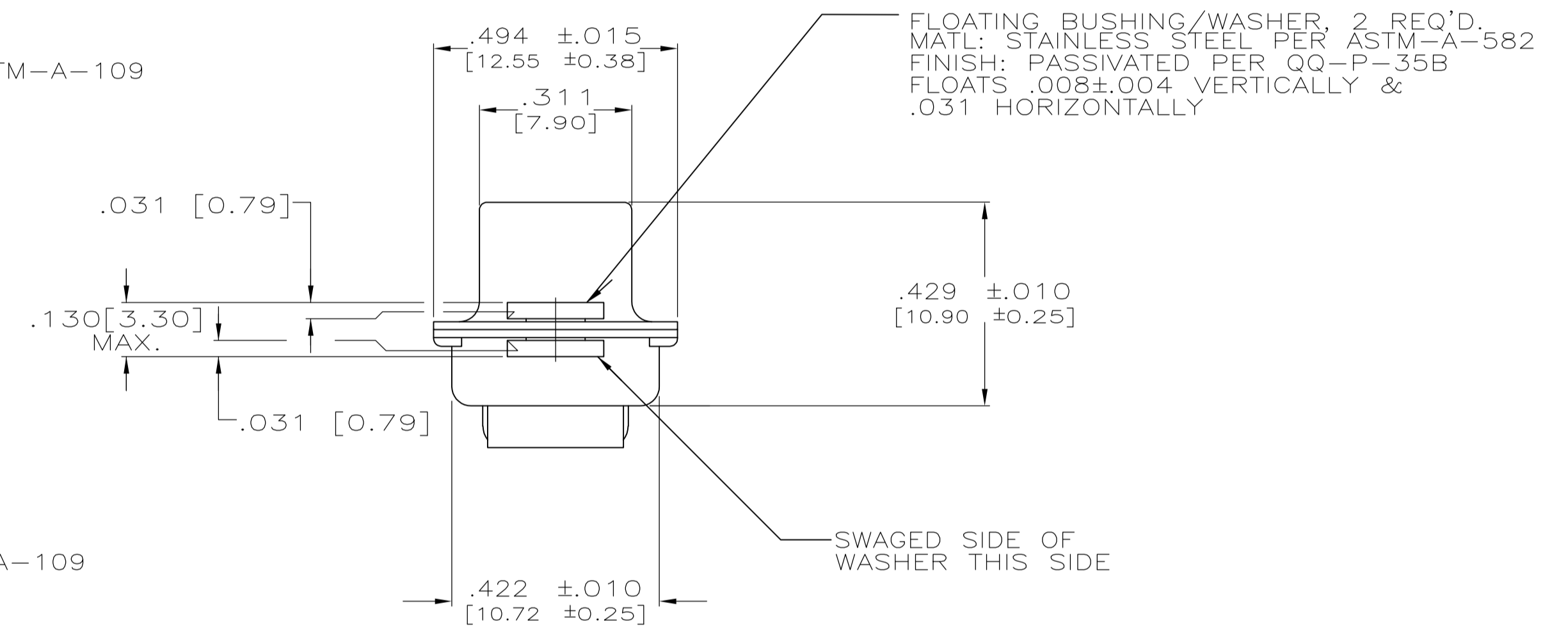
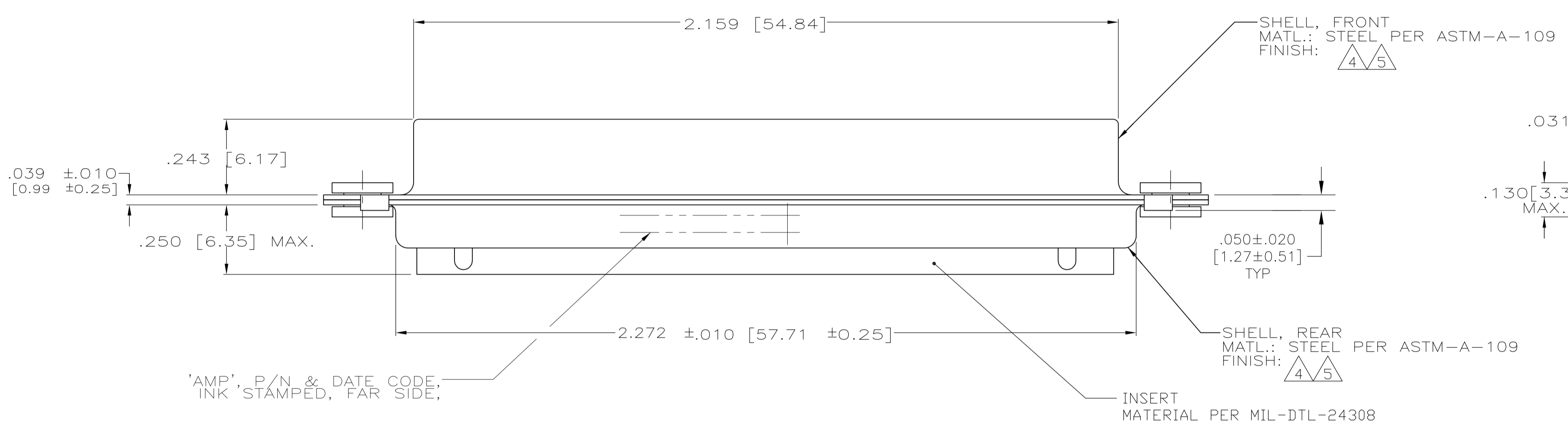
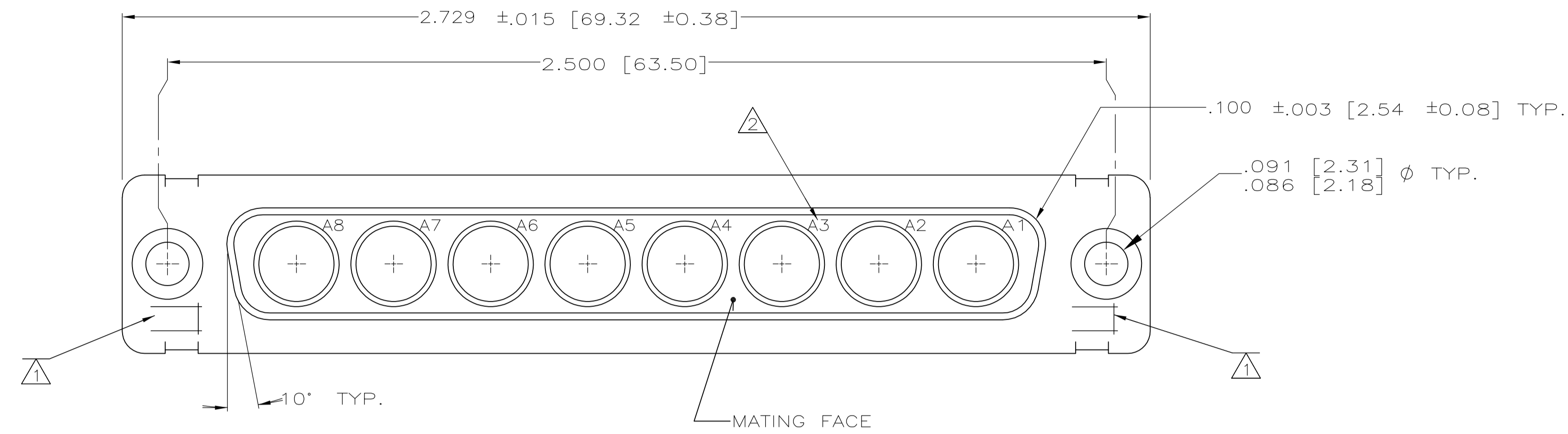


LOC		DIST		REVISIONS			
P	LTR	DESCRIPTION	DATE	DMN	APVD		
C		REV PER ECO 15-005929	5-13-15	CT	DM		



- $\triangle 1$ UL/CSA DESIGNATION STAMPED IN THIS AREA, OPTIONAL.
- $\triangle 2$ RAISED NUMBERS FOR IDENTIFICATION OF CIRCUIT HOLES.
- 3. CONTACTS NOT SUPPLIED WITH ASSEMBLY. CONTACTS TO BE PURCHASED SEPARATELY.
- $\triangle 4$ FINISH: CADMIUM PER QQ-P-416.
- $\triangle 5$ FINISH: ZINC PLATED PER ASTM-B-633 .000200-.000400 THK WITH SUPPLEMENTARY CHROMATE (Cr3+).

$\triangle 5$	5-447720-1
$\triangle 4$	447720-1
NOTE	PART NO

THIS DRAWING IS A CONTROLLED DOCUMENT.		DIN	2-14-91	STE		TE Connectivity	
DIMENSIONS: INCHES		CHK	2-14-91	C.C. THOMAS		NAME	
TOLERANCES UNLESS OTHERWISE SPECIFIED:		APVD		PRODUCT SPEC		RECEPTACLE ASSEMBLY,	
0. PLC	± -			APPLICATION SPEC		-	
1. PLC	± -			SIZE		A1	
2. PLC	± -			CAGE CODE		00779	
3. PLC	± .005 [0.13]			DRAWING NO		447720	
4. PLC	± -			WEIGHT		-	
ANGLES	± -			CUSTOMER DRAWING		SCALE 1:1 SHEET 1 OF 1 REV C	