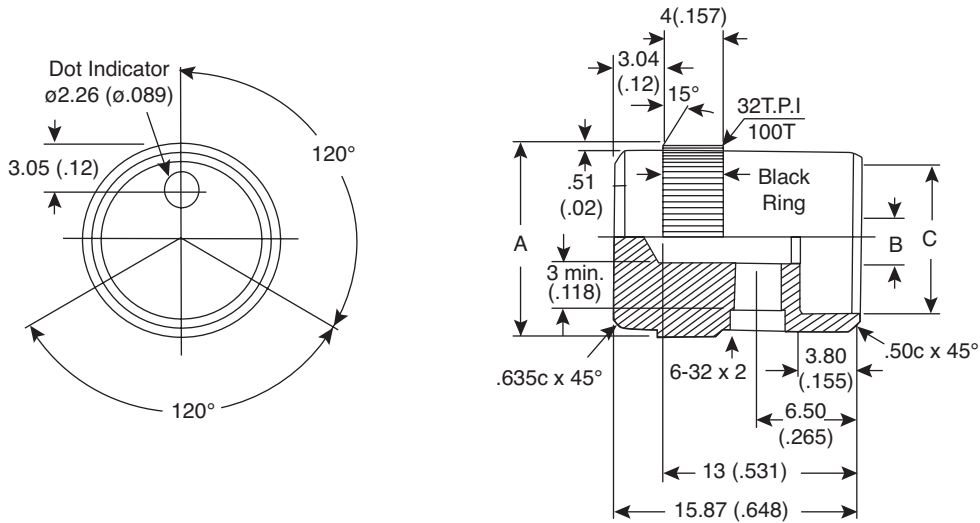


Date Last Revised: 6/30/05



Dimensions: mm (In.)

SPECIFICATIONS	
<b>Material:</b>	Aluminum and ABS
<b>Finish:</b>	Spin
<b>Tolerance:</b>	ø0-4 ± .10mm; ø4.1-16 ± .25mm; ø16-64 ± .30mm
<b>Body:</b>	Natural with black ring

DIMENSIONS MM (IN.)			
Mouser Stock No.	A	B	C
450-ME51	12.70 (.50)	3.20 (.13)	9.50 (.37)
450-ME52	12.70 (.50)	6.40 (.25)	9.50 (.37)
450-ME71	18.80 (.74)	6.40 (.25)	16 (.63)

Available from Mouser Electronics  
 1-800-346-6873  
 www.mouser.com

EPD-200218