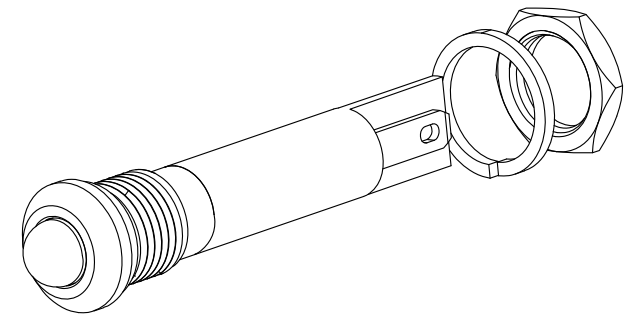
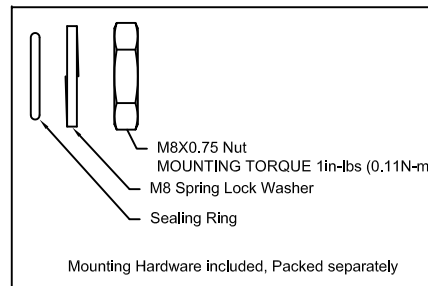
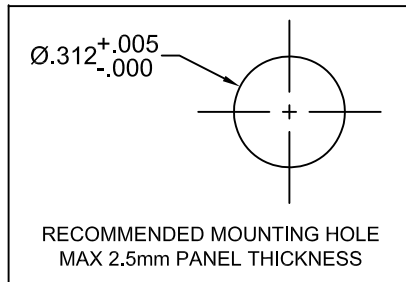
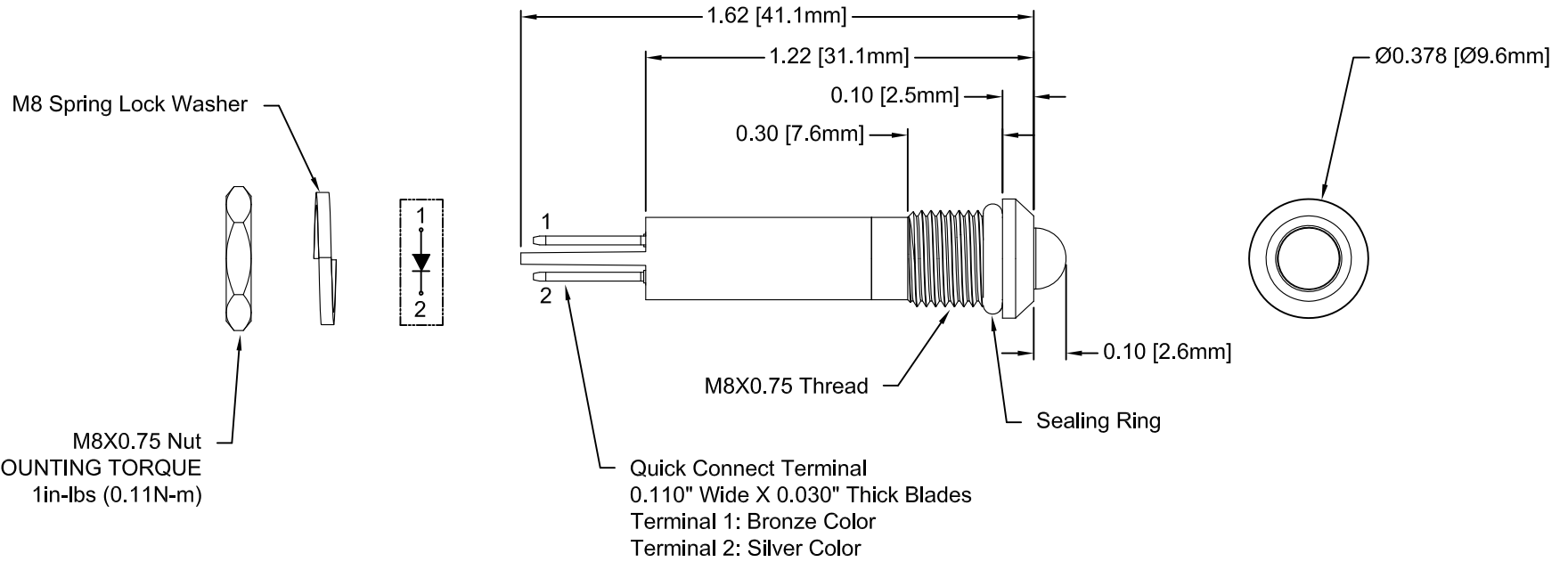


REV.	DESCRIPTION	DATE	APPROVED
A	Engineering Release.	08/18/14	J. C.



NOTES:

1. SEALED TO IP54 RATING
2. VOLTAGE INPUT OPTIONS: 12V/24V/110V/220V
3. ROHS COMPLIANT
4. MOUNTING HARDWARE PACKED SEPARATELY NON-ASSEMBLED
5. INSERT SEALING RING ON PANEL MOUNT ASSEMBLY PRIOR TO PANEL INSTALLATION


STANDARD TOLERANCE (UNLESS OTHERWISE SPECIFIED)		BIVAR®	
DECIMALS	ANGULAR	4 THOMAS, IRVINE, CA. 92618	
.X ± .1	X° ± 1°	TEL: (949) 951-8808	FAX: (949) 951-3974
.XX ± .02		TITLE: MPC8-2 SERIES PANEL MOUNT INDICATOR	
.XXX ± .010		PART NO: MPC8-2XDXXV	
DESIGNED: Minh Doan	DATE: 08/18/14	REVISION: A	CAGE CODE : 32559
CHECKED: B. Oliver	DATE: 08/18/14	SHEET # 1 OF 2	CAD GENERATED DOCUMENT, DO NOT MEASURE DRAWING.

REV.	DESCRIPTION	DATE	APPROVED
	SEE SHEET #1		

Part Number	Dominant Wave Length λ_d (nm)	Emitted Color	Lens Appearance	Voltage	Luminous Intensity (mcd)	Viewing Angle (degree)
MPC8-2RD12V	625	Red	Diffused	12V	310	45
MPC8-2GD12V	515	Green	Diffused	12V	2090	45
MPC8-2YD12V	590	Yellow	Diffused	12V	310	45
MPC8-2BWD12V	470	Blue	Diffused	12V	625	45
MPC8-2WD12V	x=0.36, y=0.32	White	Diffused	12V	4910	45
MPC8-2RD24V	625	Red	Diffused	24V	310	45
MPC8-2GD24V	515	Green	Diffused	24V	2090	45
MPC8-2YD24V	590	Yellow	Diffused	24V	310	45
MPC8-2BWD24V	470	Blue	Diffused	24V	625	45
MPC8-2WD24V	x=0.36, y=0.32	White	Diffused	24V	4910	45
MPC8-2RD110V	625	Red	Diffused	110V	20	45
MPC8-2GD110V	515	Green	Diffused	110V	125	45
MPC8-2YD110V	590	Yellow	Diffused	110V	20	45
MPC8-2BWD110V	470	Blue	Diffused	110V	40	45
MPC8-2WD110V	x=0.36, y=0.32	White	Diffused	110V	165	45
MPC8-2RD220V	625	Red	Diffused	220V	10	45
MPC8-2GD220V	515	Green	Diffused	220V	60	45
MPC8-2YD220V	590	Yellow	Diffused	220V	10	45
MPC8-2BWD220V	470	Blue	Diffused	220V	20	45
MPC8-2WD220V	x=0.36, y=0.32	White	Diffused	220V	80	45

ABSOLUTE MAXIMUM RATINGS (Ta = 25°C)

POWER INPUT _____ 0.5W MAX
 OPERATING TEMPERATURE RANGE _____ -40°C ~ 80°C
 STORAGE TEMPERATURE _____ -40°C ~ 80°C
 TERMINAL SOLDERING TEMPERATURE _____ 260°C, 5s

STANDARD TOLERANCE (UNLESS OTHERWISE SPECIFIED)		 4 THOMAS, IRVINE, CA. 92618 TEL: (949) 951-8808 FAX: (949) 951-3974	
DECIMALS	ANGULAR		
.X ± .1 .XX ± .02 .XXX ± .010	X° ± 1°		
DESIGNED: Minh Doan	DATE: 08/18/14	TITLE: MPC8-2 SERIES PANEL MOUNT INDICATOR	
CHECKED: B. Oliver	DATE: 08/18/14	PART NO: MPC8-2XDXXV	REVISION: A
		CAGE CODE : 32559	SHEET # 2 OF 2
CAD GENERATED DOCUMENT, DO NOT MEASURE DRAWING.			