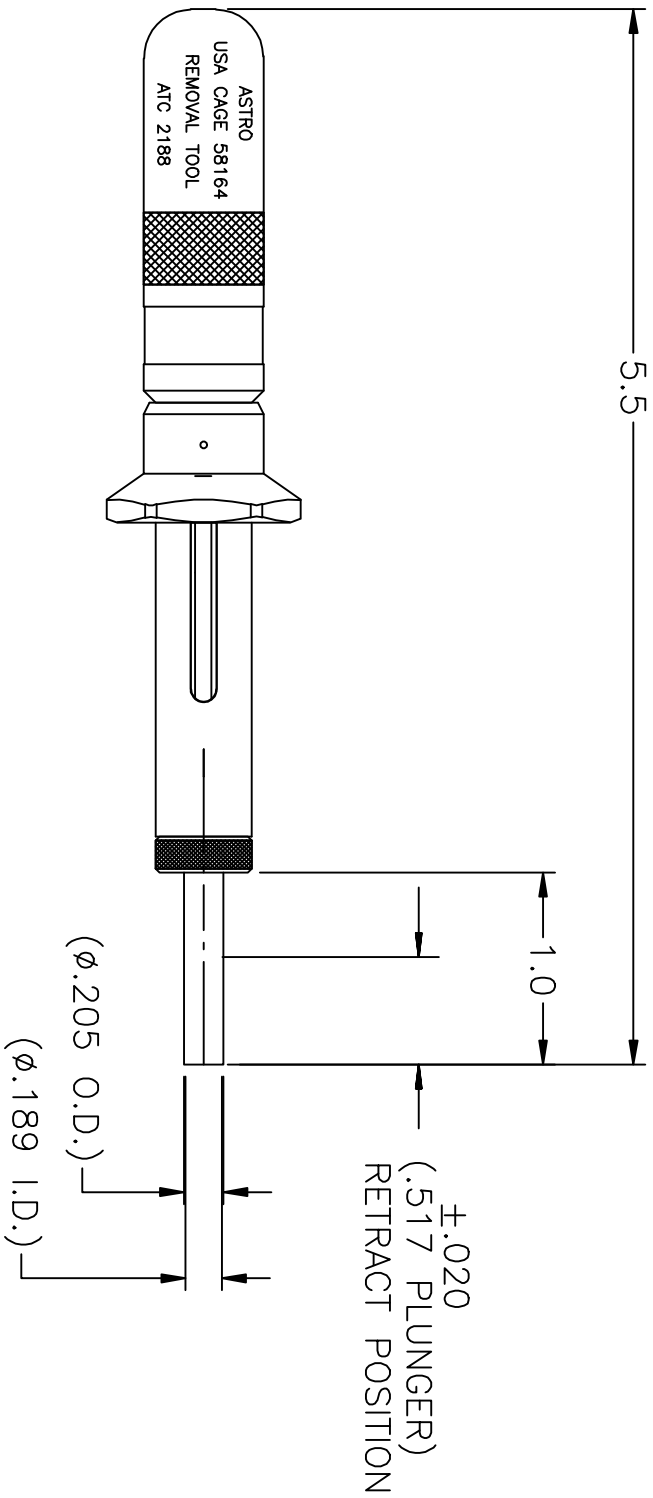


# ATC2188-ENV



**UNCONTROLLED DOCUMENT  
WILL NOT BE UPDATED**

2. COLOR CODE: GREEN.  
NOTES: 1. THIS IS AN AUTOCAD DRAWING, DO NOT CHANGE MANUALLY.

REV.	DESCRIPTION	BY	DATE	APR.	SCALE:	UNLESS OTHERWISE SPECIFIED:	DECIMALS:	ANGLES:	DESCRIPTION:	CAGE 58164
A	NEW RELEASE.	DY0	07-06-09	MMK	N.T.S.	XXX ± .005 XX ± .010 X ± .030		± 1°	ASTRO TOOL CORP. 21615 S.W. TUALATIN VALLEY HWY., BEAVERTON OR 97006	
					DWN BY: DY0				ENVELOPE DRAWING: ATC 2188 REMOVAL TOOL, CO-AX.	
					DATE: 07-06-09				PART NO. A	ATC2188-ENV
					APPROVED:					
					THESE DRAWINGS, SPECIFICATIONS OR OTHER DATA ARE AND REMAIN, THE PROPERTY OF ASTRO TOOL CORP. AND MUST BE RETURNED UPON REQUEST. THEY CONTAIN INFORMATION OWNED AND/OR DEVELOPED BY ASTRO AT ITS OWN PRIVATE EXPENSE AND MAY NOT BE USED, DUPLICATED OR DISCLOSED TO OTHERS, IN WHOLE OR IN PART FOR DESIGN, MANUFACTURE OR PROCUREMENT WITHOUT THE WRITTEN PERMISSION OF ASTRO TOOL CORP. EACH AND EVERY TIME.					