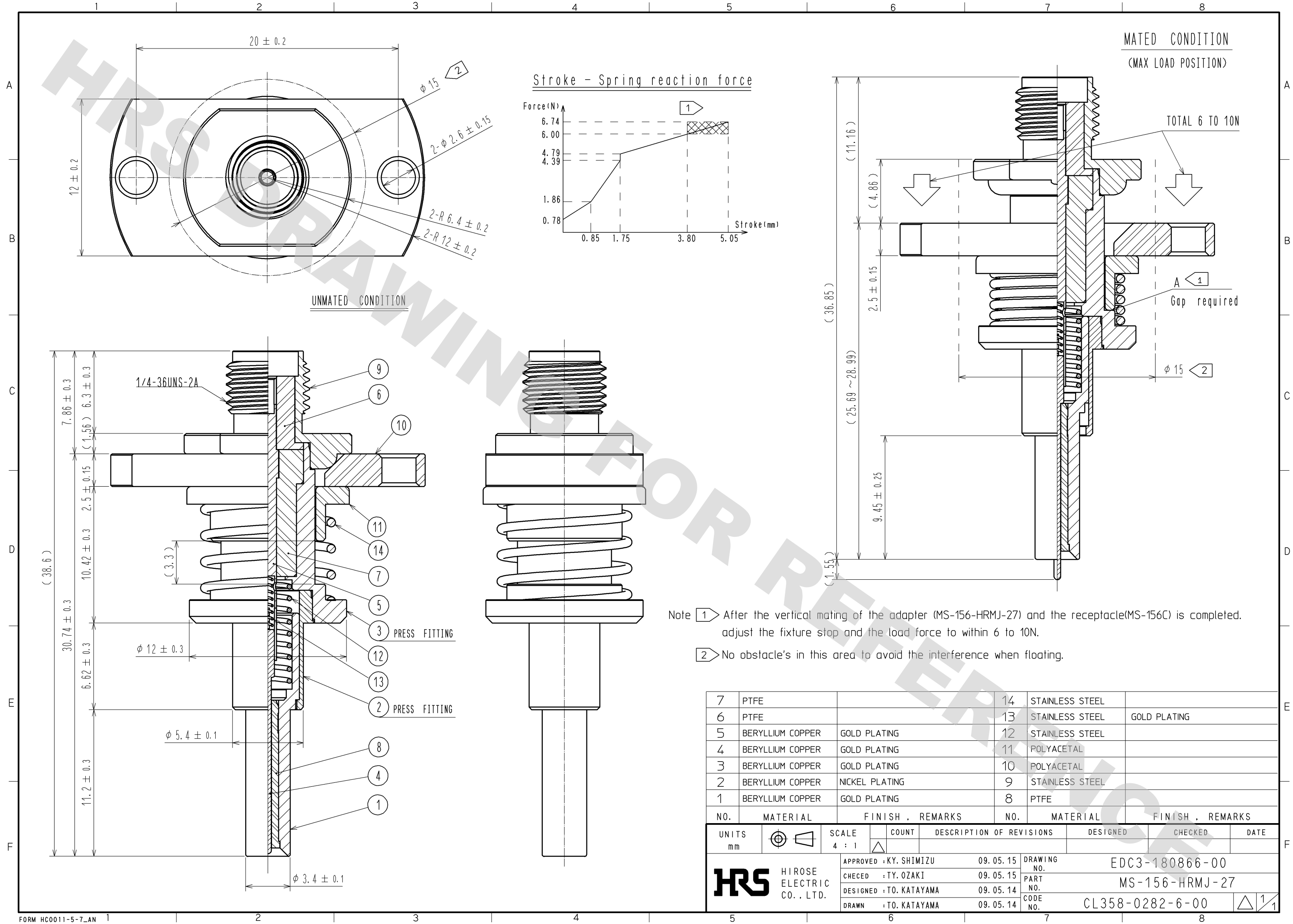


DRAWING FOR REFERENCE: This is subject to change without notice  
08/11/2012



NO.	MATERIAL	FINISH	REMARKS	NO.	MATERIAL	FINISH	REMARKS
7	PTFE			14	STAINLESS STEEL		
6	PTFE			13	STAINLESS STEEL	GOLD PLATING	
5	BERYLLIUM COPPER	GOLD PLATING		12	STAINLESS STEEL		
4	BERYLLIUM COPPER	GOLD PLATING		11	POLYACETAL		
3	BERYLLIUM COPPER	GOLD PLATING		10	POLYACETAL		
2	BERYLLIUM COPPER	NICKEL PLATING		9	STAINLESS STEEL		
1	BERYLLIUM COPPER	GOLD PLATING		8	PTFE		

UNITS	SCALE	COUNT	DESCRIPTION OF REVISIONS	DESIGNED	CHECKED	DATE
mm	4 : 1	△				
APPROVED : KY. SHIMIZU			09.05.15	DRAWING NO. EDC3-180866-00		
CHECKED : TY. OZAKI			09.05.15	PART NO. MS-156-HRMJ-27		
DESIGNED : TO. KATAYAMA			09.05.14	CODE NO. CL358-0282-6-00		
DRAWN : TO. KATAYAMA			09.05.14	△ 1/1		