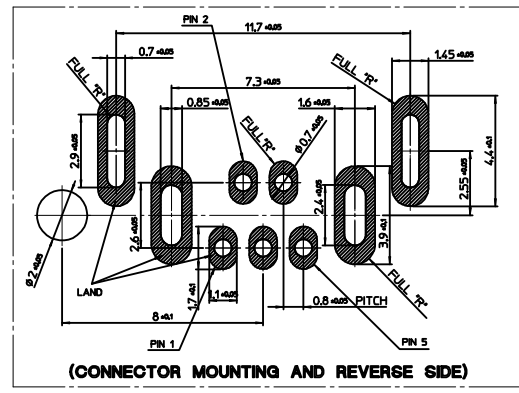
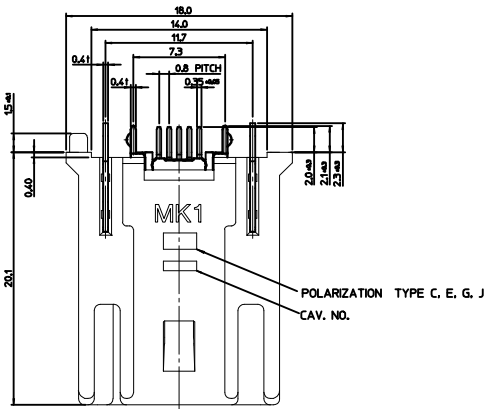
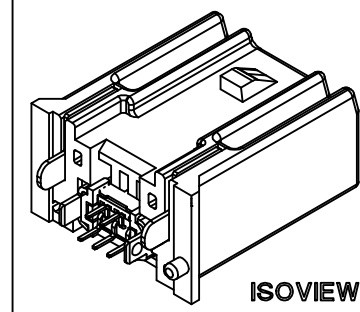
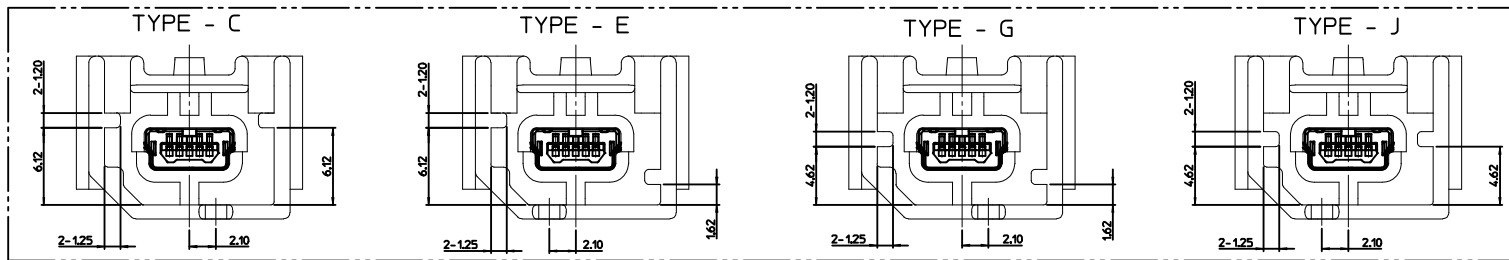


POLARIZATION OPTION

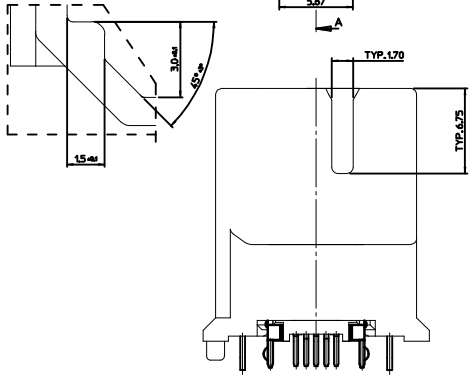
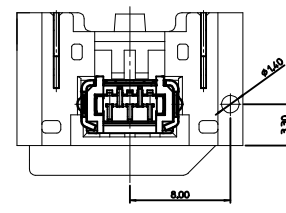
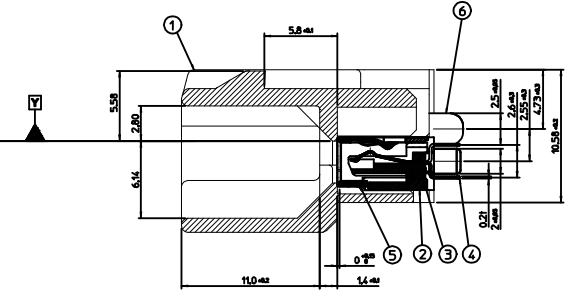
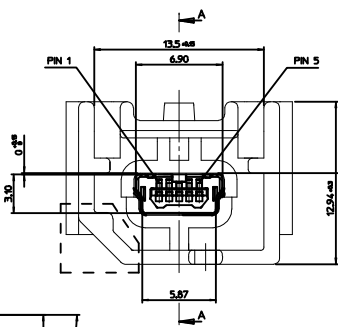


<TABLE 1>

	MATERIAL NO.	ORDER NO.	MATERIAL	PACKING	COLOR
TYPE - C	1040040511	104004-0511	LCP	TRAY	BLACK
	1040040711	104004-0711		TUBE	
TYPE - E	1040040521	104004-0521	SPS	TRAY	BLUE
	1040040724	104004-0724		TUBE	
TYPE - G	1040040531	104004-0531	LCP	TRAY	BLACK
TYPE - J	1040040541	104004-0541			

NOTE

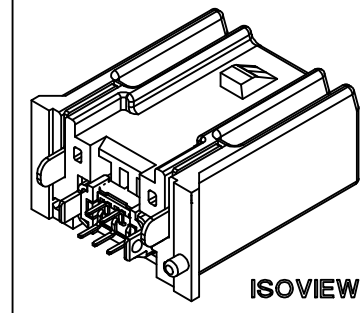
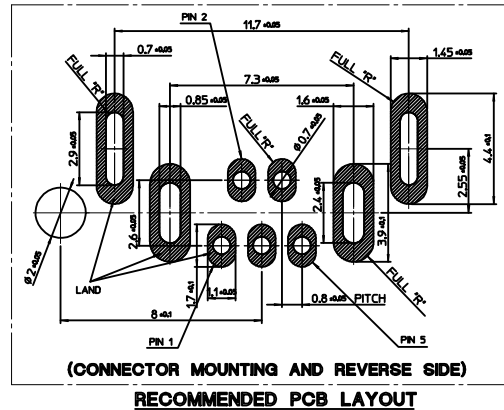
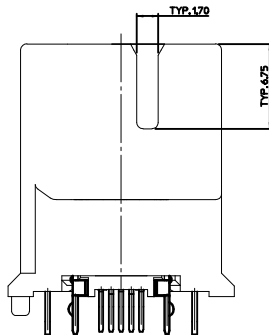
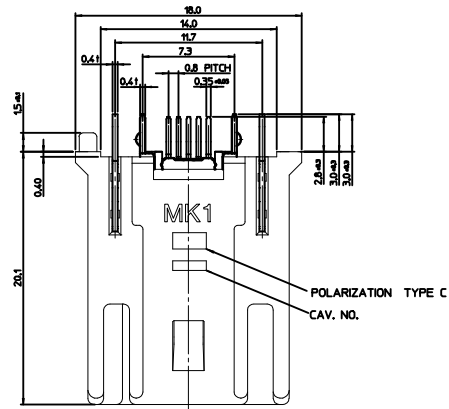
- SHROUD GEOMETRY AND ASSEMBLY WITH USB MINI-B CONNECTOR ARE ACCORDING TO USCAR STD 999-U-USB-***
- FINISHES
 - TERMINAL : CONTACT AREA : Au 0.754m MIN. SOLDER TAIL AREA : TIN 3.81m MIN. UNDER PLATING : NI 1.01m MIN.
 - SHIELD CASE : 3.04m MIN. TIN OVER NI 1.04m MIN.
 - FITTING NAIL : 3.04m MIN. TIN OVER NI 1.04m MIN.
- UNLESS OTHERWISE SPECIFIED, TYPICAL RECOMMENDED PCB MANUFACTURING TOLERANCE IS ±0.05
- PACKAGING
 - TRAY : 48 PCS/TRAY, 5 TRAY/TRAY BOX, 240 PCS/TRAY BOX, 960 PCS/CARTON BOX
 - TUBE : 29 PCS/TUBE, 60 TUBE/CARTON BOX, 1740 PCS/CARTON BOX
- PRODUCT SPECIFICATION : PS-49616-001
- PACKAGING INFORMATION
 - TRAY PACKING : PK-104004-001
 - TUBE PACKING : RPK-104004-002
- PCB THICKNESS : 1.6mm(REFERENCE)



<PARTS LIST>

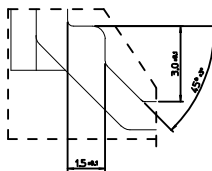
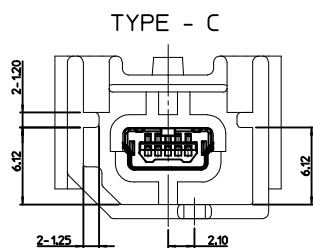
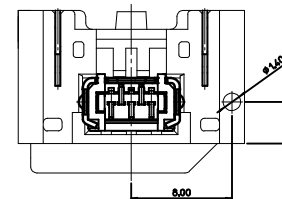
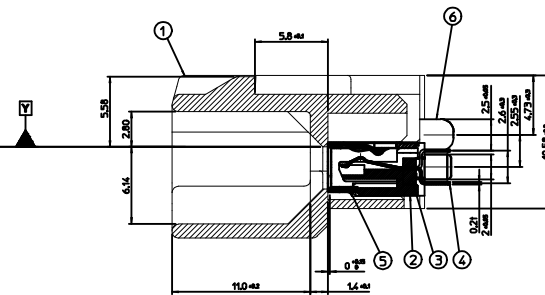
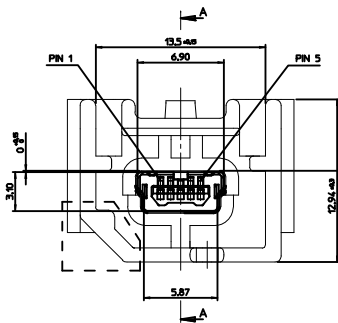
NO.	PART NAME	MATERIAL
1	SHROUD-C, E, G, J	LCP, GLASS FILLED, UL94 V-0
2	RECEPTACLE HOUSING	SPS, GLASS FILLED, UL94 HB
3	CONTACT HOUSING	LCP, GLASS FILLED, UL94 V-0
4	CONTACT TERMINAL	COPPER ALLOY
5	SHIELD CASE	PHOSPHOR BRONZE
6	BOARD LOCKS PIN	BRASS

REVISED EC NO: KTR2015-0098 DRAWN BY: DRWNY/BAEK CHKD: APPR: JYCHO 2015/04/17 2015/05/04 A5	QUALITY SYMBOLS 0 1	GENERAL TOLERANCES (UNLESS SPECIFIED) 4 PLACES ± --- ± --- 3 PLACES ± --- ± --- 2 PLACES ± 0.15 ± --- 1 PLACE ± 0.25 ± --- ANGULAR ± 1°	DIMENSION STYLE MM ONLY	SCALE 5:1	DESIGN UNITS METRIC	THIRD ANGLE PROJECTION
			DRAWN BY S. M. KIM DATE 2009/06/17	CHECKED BY B. C. YOON DATE 2009/06/17	APPROVED BY E. H. JUNG DATE 2009/06/17	TITLE USCAR USB MINI B CONN. VERTICAL-C,E,G,J
DRAFT WHERE APPLICABLE MUST REMAIN WITHIN DIMENSIONS		SEE TABLE 1		MOLEX INCORPORATED		
THIS DRAWING CONTAINS INFORMATION THAT IS PROPRIETARY TO MOLEX INCORPORATED AND SHOULD NOT BE USED WITHOUT WRITTEN PERMISSION						



<TABLE 1>

	MATERIAL NO.	ORDER NO.	MATERIAL	PACKING	COLOR
TYPE - C	1040040911	104004-0911	LCP	TRAY	BLACK



<PARTS LIST>

NO.	PART NAME	MATERIAL
1	SHROUD-C	LCP, GLASS FILLED, UL94 V-0
2	RECEPTACLE HOUSING	LCP, GLASS FILLED, UL94 V-0
3	CONTACT HOUSING	LCP, GLASS FILLED, UL94 V-0
4	CONTACT TERMINAL	COPPER ALLOY
5	SHIELD CASE	PHOSPHOR BRONZE
6	BOARD LOCKS PIN	BRASS

NOTE

- MATES WITH :
(MOLEX SERIES NO. - 111014, 111015, 111005, 111041, 111019, 111020)
- SHROUD GEOMETRY AND ASSEMBLY WITH USB MINI-B CONNECTOR ARE ACCORDING TO USCAR STD 999-U-USB-Z01
- FINISHES
- TERMINAL :
CONTACT AREA : Au 0.75µm MIN.
SOLDER TAIL AREA : TIN 3.8µm MIN.
UNDER PLATING : NI 1.0µm MIN.
- SHIELD CASE :
3.0µm MIN. TIN OVER NI 1.0µm MIN.
- FITTING NAIL :
3.0µm MIN. TIN OVER NI 1.0µm MIN.
- UNLESS OTHERWISE SPECIFIED, TYPICAL RECOMMENDED PCB MANUFACTURING TOLERANCE IS ±0.05
- PACKAGING IS TRAY :
(48 PCS/TRAY, 5 TRAY/TRAY BOX, 240 PCS/TRAY BOX, 960 PCS/CARTON BOX)
- PRODUCT SPECIFICATION : PS-49616-001
- PACKAGING INFORMATION : PK-104004-003
- PCB THICKNESS : 2.36mm(REFERENCE)

REVISED EC NO: KTR2015-0098 DRAWN BY IBAEK CHKD: APPR: JYCHO1 A1	QUALITY SYMBOLS =0 =0	GENERAL TOLERANCES (UNLESS SPECIFIED)	DIMENSION STYLE	SCALE	DESIGN UNITS	THIRD ANGLE PROJECTION
		m/m INCH	MM ONLY	5:1	METRIC	
		4 PLACES ± --- ± ---	DRAWN BY DATE	TITLE		
		3 PLACES ± --- ± ---	S. M. KIM 2009/06/17	USCAR USB MINI-B CONN.		
		2 PLACES ± 0.15 ± ---	CHECKED BY DATE	VERTICAL - C		
		1 PLACE ± 0.25 ± ---	B. C. YOON 2009/06/17	(LONG TERMINAL VERSION)		
		ANGULAR ± 1 °	APPROVED BY DATE	MOLEX INCORPORATED		
			JYCHO1 2014/08/01	MOLEX INCORPORATED		
		DRAFT WHERE APPLICABLE MUST REMAIN WITHIN DIMENSIONS	MATERIAL NO.	DOCUMENT NO.	SHEET NO.	
			SEE TABLE 1	SD-104004-008	1 OF 1	
			SIZE	THIS DRAWING CONTAINS INFORMATION THAT IS PROPRIETARY TO MOLEX INCORPORATED AND SHOULD NOT BE USED WITHOUT WRITTEN PERMISSION		