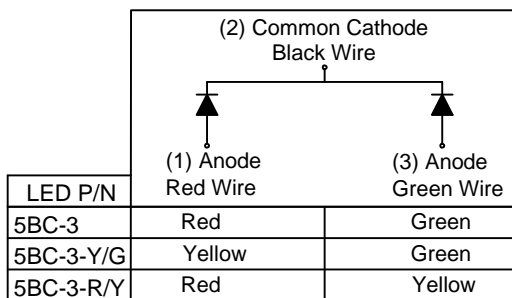
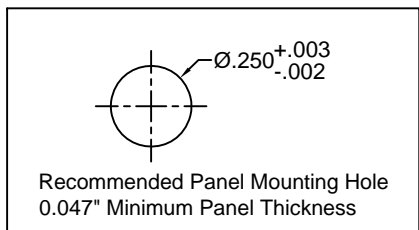
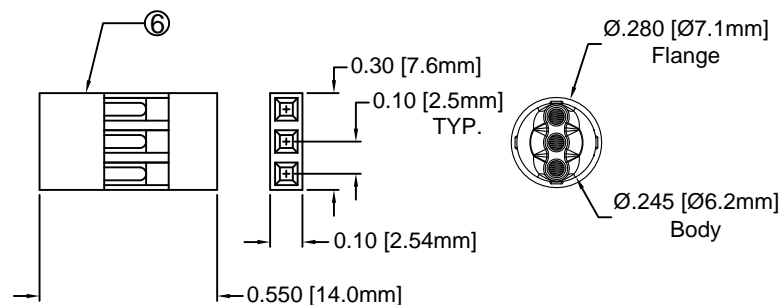
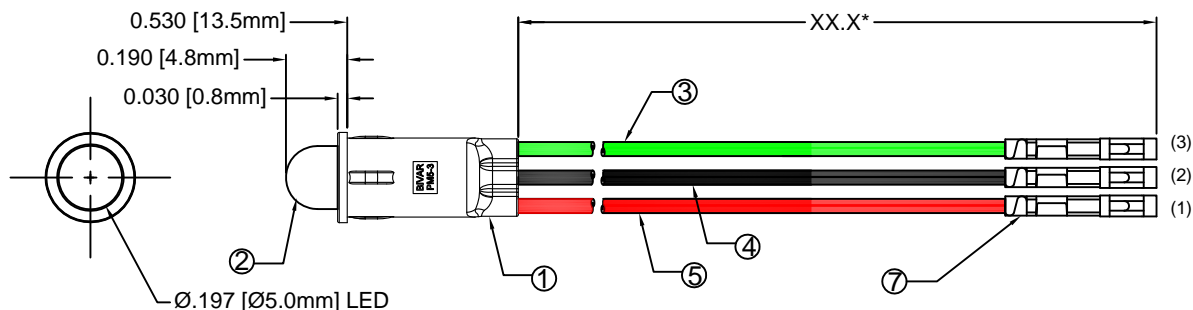


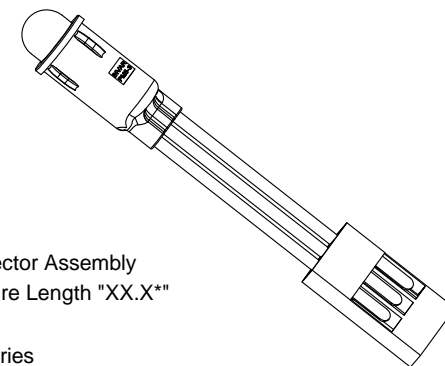
ITEM	Q'TY	PART NUMBER	PART DESCRIPTION
1	1	PM5-3	LED Holder, 3-Lead Panel Mount, Press Fit, 5mm
2	1	5BC-3-XX	T1 ¼ (5mm) 3-Lead Shouldered LED, See Page 2
3	1	BWS24-1061-GN	24AWG Wire Lead U.L. 1061, Green
4	1	BWS24-1061-BK	24AWG Wire Lead U.L. 1061, Black
5	1	BWS24-1061-RD	24AWG Wire Lead U.L. 1061, Red
6	1	2665S030000	Leoco 2665 Series 2.54mm (100") Crimp Type Socket, 1X
7	3	2653TPB0001	Leoco Terminal# 2653TPB0001(Reel) 2653TPB00A1(Bulk)

REV.	DESCRIPTION	DATE	APPROVED
A	Engineering Release	12/02/08	T. Y.
B	Updated 5BC-3 LED on Polarity Diagram	09/01/09	T. Y.
C	Added Optical/Electrical Data	05/21/15	J. C.
D	Engineering Update w/o Changes	08/14/16	J. C.

Note: Connector Shipped Non-Assembled in Separate Bag



EXAMPLE:
 PM53 - BC W12.5 CC
 Connector Assembly
 XX.X = Wire Length "XX.X**"
 Emitted Colors
 3-Lead Panel Mount Series




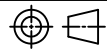
ABSOLUTE MAXIMUM RATINGS (Ta = 25°C)

REVERSE VOLTAGE _____ 5V
 REVERSE CURRENT (VR=5V) _____ 100µA
 OPERATING TEMPERATURE RANGE _____ -25°C ~ 85°C
 STORAGE TEMPERATURE _____ -30°C ~ 100°C
 LEAD SOLDERING TEMPERATURE (1/16" FROM BODY) _____ 260°C for 5 Seconds

STANDARD TOLERANCE (UNLESS OTHERWISE SPECIFIED)		BIVAR®	
DECIMALS	ANGULAR	4 THOMAS, IRVINE, CA. 92618	
.X ± .1	X° ± 1°	TEL: (949) 951-8808 FAX: (949) 951-3974	
.XX ± .02		TITLE: T1 ¼ (5mm) PANEL MOUNT ASSEMBLY, 3-LEAD BI-COLOR	
.XXX ± .010		PART NO: PM53-XXWXX.XCC	
DESIGNED: B. Oliver	DATE: 12/02/08	REVISION: D	
CHECKED: F. Jensen	DATE: 12/02/08	CAGE CODE : 32559	SHEET # 1 OF 2
CAD GENERATED DOCUMENT. DO NOT MEASURE DRAWING.			

REV.	DESCRIPTION	DATE	APPROVED
	SEE SHEET #1		

Assy P/N	Chip			Lens Appearance	Electro-Optical Data @ 20mA				Viewing Angle 2 θ ½ (Deg)	LED P/N	
	Material	Peak Wave Length λp (nm)	Emitted Color		If (mA)	Vf (V)		Iv (mcd)			
						MAX	TYP	MAX			TYP
PM53-BCWXX.XCC	GaAsP/GaP	625	RED	WHITE DIFFUSED	30	2.0	2.8	35	40	5BC-3	
	GaP/GaP	568	GREEN		30	2.1	2.8	35			
PM53-YGWXX.XCC	GaAsP/GaP	590	YELLOW	WHITE DIFFUSED	30	2.0	2.8	30	40	5BC-3-Y/G	
	GaP/GaP	568	GREEN		30	2.1	2.8	35			
PM53-RYWXX.XCC	GaAsP/GaP	625	RED	WHITE DIFFUSED	30	2.0	2.8	35	40	5BC-3-R/Y	
	GaAsP/GaP	590	YELLOW		30	2.0	2.8	30			

STANDARD TOLERANCE (UNLESS OTHERWISE SPECIFIED) ±10% ALL VALUES ANGULAR		 4 THOMAS, IRVINE, CA. 92618 TEL: (949) 951-8808 FAX: (949) 951-3974	
		 TITLE: T1 ¾ (5mm) PANEL MOUNT ASSEMBLY, 3-LEAD BI-COLOR	
DESIGNED: B. Oliver	DATE: 12/02/08	PART NO: PM53-XXWXX.XCC	REVISION: D
CHECKED: F. Jensen	DATE: 12/02/08	CAGE CODE : 32559	SHEET # 2 OF 2
CAD GENERATED DOCUMENT. DO NOT MEASURE DRAWING.			