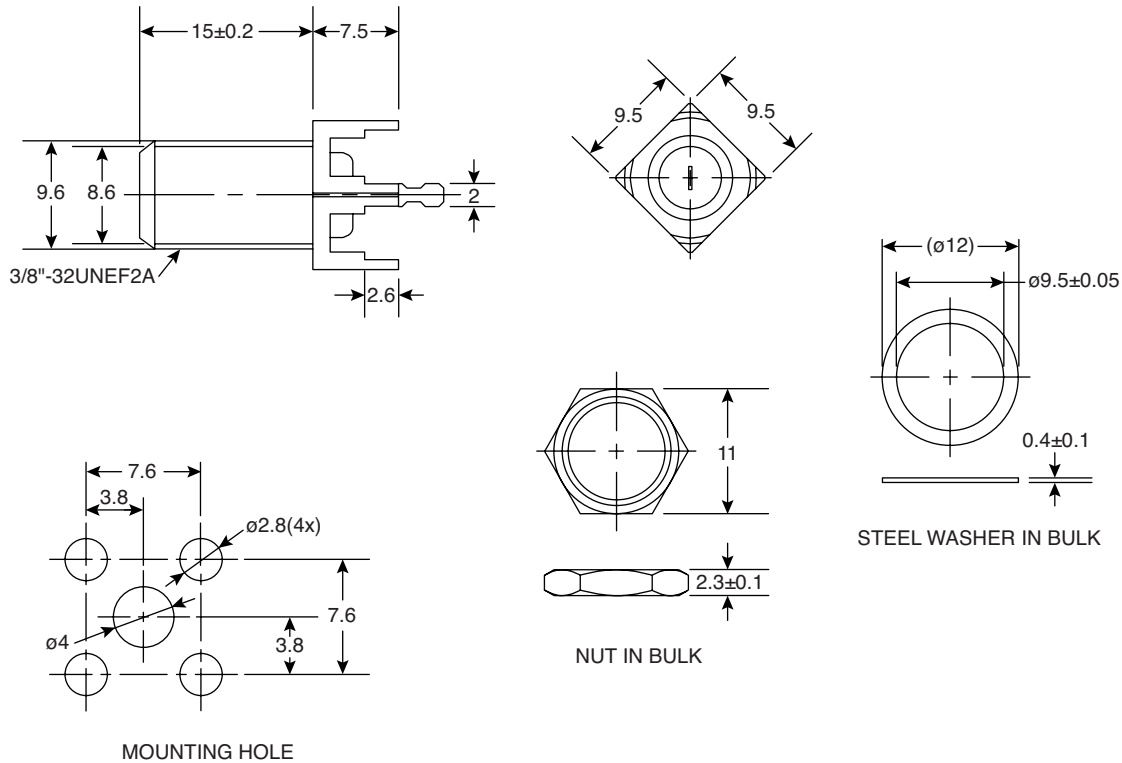


# F-61 PC Mount Receptacle

161-SY13502-E



F-61 PC Mount Receptacle



**DIMENSIONS: mm**

## ELECTRICAL SPECIFICATIONS

<b>Impedance:</b>	75ohm
<b>Frequency Range:</b>	Round center contact: >2Ghz Flat center contact: 0~2Ghz
<b>Insulation Resistance:</b>	D.C. 500V, 1000MΩ (Between center contact to shield case)
<b>Contact Resistance:</b>	Center Contact: 5 milliohms max. Outer Contact: 2 milliohms max. Test: 1A DC
<b>Working Voltage:</b>	250 VRMS max.
<b>Dielectric Strength:</b>	A.C. 1000V for 1 minute
<b>VSWR:</b>	1.2 max.
<b>Loose of Center Contact:</b>	1.2Kgf-CM MAX
<b>Initial Insertion Force:</b>	1.5Kgs (Max.) (Force Gauge: $\Psi$ 0.81 Dia. $\pm$ 0.02)
<b>Retention Force:</b>	0.05Kgs (Max.) (Force Gauge: $\Psi$ 0.58 Dia. $\pm$ 0.02)
<b>Durability:</b>	Performed insertion and extraction test for 4 times by using of gauges $\Psi$ 0.81 Dia. $\pm$ 0.02 and after the test should meet following requirements
<b>Dry Heat:</b>	Resistance to oven soldering: 270°C, 10 sec., after the test, surface treatment should be no problem
RoHS Compliant	

**Tolerance Unless Otherwise Specified  $\pm$ 0.3**

No.	Description	Q'ty	Material	Finish
1	Shield Case	1	Brass	Tin
2	Insulator	1	P.P	
3	Center Contact	1	Phosphor Bronze	Tin
4	Steel Washer	1	Steel	Nickel Plated
5	Nut	1	Zinc Alloy	Nickel Plated

Date Last Revised: 06/15/12

**Available from Mouser Electronics**  
1-800-346-6873 / [www.mouser.com](http://www.mouser.com)

KC-301419

Specifications are subject to change without notice. No liability or warranty implied by this information. Environmental compliance based on producer documentation.

161-SY13502-E