

Tous droits strictement réservés. Reproduction ou communication a des tiers interdite sous quelque forme que ce soit sans autorisation écrite du propriétaire. Propriete de c FCI. Droits de reproduction FCI.

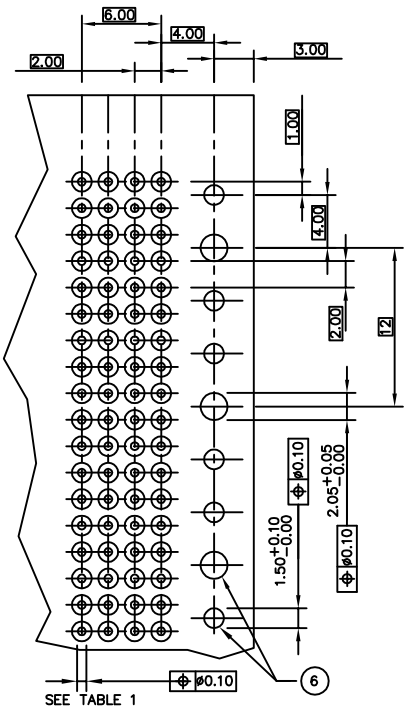
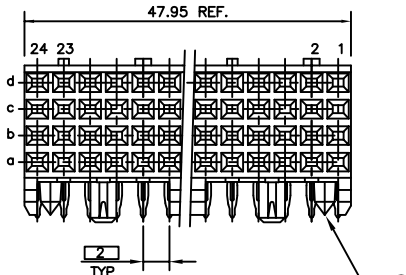
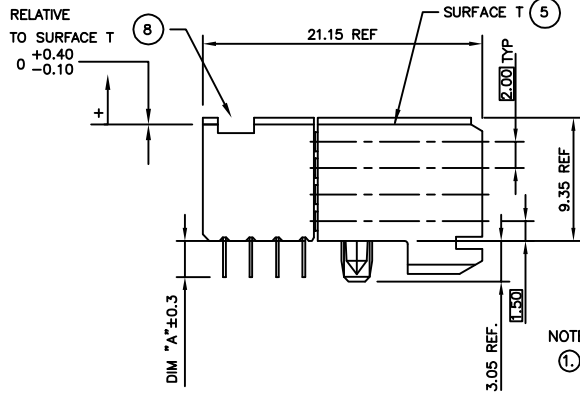


All rights strictly reserved. Reproduction or issue to third parties in any form whatever is not permitted without written authority from the proprietor. Property of FCI. Copyright FCI.

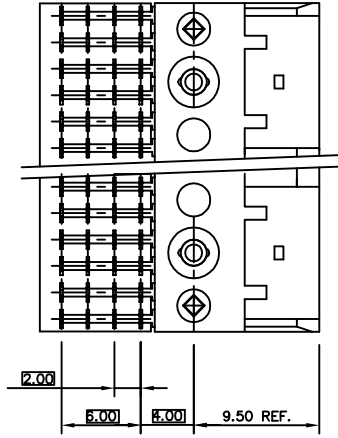
PART NUMBER	CONFIGURATION																								
	ROW	24	23	22	21	20	19	18	17	16	15	14	13	12	11	10	9	8	7	6	5	4	3	2	1
88947-XY3LF SEE NOTE 11 OPTION	d	-	X	-	X	-	-	X	-	X	-	X	-	X	-	X	X	-	X	-	X	-	X	-	X
	c	-	X	-	X	-	-	X	-	X	-	X	-	X	-	X	X	-	X	-	X	-	X	-	X
	b	-	X	-	X	-	-	X	-	X	-	X	-	X	-	X	X	-	X	-	X	-	X	-	X
	a	-	X	-	X	-	-	X	-	X	-	X	-	X	-	X	X	-	X	-	X	-	X	-	X

"X" = LOADED POSITION
"-" = EMPTY POSITION

PRODUCT NUMBER	PCB THICKNESS	DIM "A"
88947-X02	1.6	2.90
88947-X12	2.4	3.53
88947-X02LF	1.6	2.90
88947-X12LF	2.4	3.53
88947-X03LF	1.6	2.90
88947-X13LF	2.4	3.53



HOLE DIAMETER AFTER PLATING	0.65-0.80
DRILLED HOLE	0.81-0.86 (0.85 DRILL)
COPPER PLATING	0.025 - 0.05
SnPb PLATING	0.005-0.015



- NOTES:
- CONNECTOR MATERIALS:
HOUSING: LCP, 30% GLASS FILLED, UL 94-V0 COMPLIANT
TERMINAL: PHOSPHOR BRONZE ALLOY
 - PRESS-FIT TAIL PLATING: 0.5-1.5 μm TIN LEAD
 - PRODUCT SPECIFICATION: GS-12-002
 - APPLICATION SPECIFICATIONS:
BUS-20-061
GS-20-001
TA-941
 - PRODUCT MARKING: (PART NUMBER & LOT CODE).
 - INDICATED HOLES ARE UNPLATED.
 - DIAMOND LOCATION PEG ARE ONLY EXISTED ON THE BOTH SIDES OF PRODUCT.
 - TOP SURFACE OF PRESS BLOCK MAY EXTEND UP TO 0.4MM HIGHER THAN HOUSING. THIS MAY AFFECT THE TAIL LENGTH BEFORE APPLICATION TO A BOARD.
 - THESE PRODUCTS WHERE THE PART NUMBER ENDS IN "LF" MEET THE EUROPEAN UNION DIRECTIVES AND OTHER COUNTRY REGULATIONS AS DESCRIBED IN GS-22-008.

ALL PRODUCTS WILL WITHSTAND EXPOSURE TO 240°C FOR 60 SECONDS IN A CONVECTION, INFAR-RED OR VAPOR PHASE REFLOW OVEN.
 - FOR LEAD FREE PART NUMBERS ADD "LF" SUFFIX. EXAMPLE: 88947-XYLFF.
 - ONLY 88947-X03LF AND 88947-X13LF, OTHER P/N IS FULL LOADED

PLATING CONTACT AREA:	
DASH NR:	PERFORMANCE LEVEL
-1YY/1YYLF	TELCORDIA CO
-2YY/2YYLF	CUSTOMER SPECIAL
-3YY/3YYLF	CUSTOMER SPECIAL

mat'l. code		tolerances unless otherwise specified		CUSTOMER COPY		FCI	
SEE NOTES				projection		www.fciconnect.com	
ltr	ecn no	dr	date	.X ±.3	MM	title	B SERIES R/A SIGNAL RECEPT ASSY 4 ROW, 4 MOD, PF
M	DG07-0170	Cenh	05/22/07	.XX ±.10			
N	DG08-0171	TER	8/15/08	.XXX ±.050	scale	product family METRAL (tm)	code 213
P	DG09-0068	Cenh	06/06/09	0° ±2'			
R	DG-010933	QinDF	03/08/12	STU STONER 10/29/92	1:1	size	dwg no 88947
		enfr	De-Feng Qin 03/08/12				
		chr	Tian-Zhao Lin 03/08/12				
		appd	Pei-Ming Zheng 03/08/12				
sheet index	revision sheet						

cage code
22526