



## Main

|                               |  |
|-------------------------------|--|
| Range of product              | OsiSense XC  |
| Series name                   | Standard format  |
| Product or component type     | Limit switch   |
| Device short name             | XCKJ   |
| Sensor design                 | Form A conforming to CENELEC EN 50041  |
| Body type                     | Fixed  |
| Head type                     | Rotary head  |
| Material                      | Metal  |
| Body material                 | Zamak  |
| Head material                 | Zamak  |
| Fixing mode                   | By the body  |
| Movement of operating head    | Rotary   |
| Type of operator              | Spring return roller lever thermoplastic   |
| Type of approach              | Lateral approach 1 or 2 programmable direction   |
| Cable entry                   | 1 entry tapped for M20 x 1.5 cable gland, cable outer diameter: 0.28...0.51 in (7...13 mm) |
| Number of poles               | 2  |
| Contacts type and composition | 1 NC + 1 NO  |
| Contact operation             | Slow-break, break before make  |

## Complementary

|  |  |
|--|--|
| Switch actuation                             | By 30° cam   |
| Electrical connection                        | Screw-clamp terminals, clamping capacity: 1 x 0.5...2 x 2.5 mm <sup>2</sup>  |
| Contacts insulation form                     | Zb   |
| Number of steps                              | 1  |
| Positive opening                             | With   |
| Positive opening minimum torque              | 4.42 lbf.in (0.5 N.m)  |
| Minimum torque for tripping                  | 2.21 lbf.in (0.25 N.m)   |
| Minimum actuation speed                      | 6 m/min  |
| Maximum actuation speed                      | 4.92 ft/s (1.5 m/s)  |
| [Ie] rated operational current               | 3 A at 240 V, AC-15, A300 conforming to EN/IEC 60947-5-1 appendix A<br>0.27 A at 250 V, DC-13, Q300 conforming to EN/IEC 60947-5-1 appendix A  |
| [Ithe] conventional enclosed thermal current | 10 A   |
| [Ui] rated insulation voltage                | 500 V degree of pollution 3 conforming to IEC 60947-1<br>300 V conforming to UL 508<br>300 V conforming to CSA C22.2 No 14   |
| Resistance across terminals                  | <= 25 MOhm conforming to IEC 60255-7 category 3  |
| [Uimp] rated impulse withstand voltage       | 6 kV conforming to IEC 60664<br>6 kV conforming to IEC 60947-1   |
| Short-circuit protection                     | 10 A by gG cartridge fuse  |
| Electrical durability                        | 5000000 cycles, DC-13, inductive load type, 120 V, 4 W, operating rate: <= 60 cyc/mn, load factor: 0.5 conforming to IEC 60947-5-1 appendix C<br>5000000 cycles, DC-13, inductive load type, 24 V, 10 W, operating rate: <= 60 cyc/mn, load factor: 0.5 conforming to IEC 60947-5-1 appendix C<br>5000000 cycles, DC-13, inductive load type, 48 V, 7 W, operating rate: <= 60 cyc/mn, load factor: 0.5 conforming to IEC 60947-5-1 appendix C |
| Mechanical durability                        | 30000000 cycles  |
| Width  | 1.57 in (40 mm)  |
| Height                                       | 3.03 in (77 mm)  |

The information provided in this documentation contains general descriptions and/or technical characteristics of the products contained herein. This documentation is not intended as a substitute for and is not to be used for determining suitability or reliability of these products for specific user applications. It is the duty of any such user or integrator to perform the appropriate and complete risk analysis, evaluation and testing of the products with respect to the relevant specific application or use thereof. Neither Schneider Electric Industries SAS nor any of its affiliates or subsidiaries shall be responsible or liable for misuse of the information contained herein.

|                               |                        |
|-------------------------------|------------------------|
| Depth                         | 1.73 in (44 mm)        |
| Product weight                | 1.06 lb(US) (0.48 kg)  |
| Terminals description ISO n°1 | (13-14)NO<br>(21-22)NC |

## Environment

|                                       |   |
|---------------------------------------|---|
| shock resistance                      | 50 gn (duration = 11 ms) conforming to IEC 60068-2-27   |
| vibration resistance                  | 25 gn (f = 10...500 Hz) conforming to IEC 60068-2-6   |
| IP degree of protection               | IP66 conforming to IEC 60529  |
| IK degree of protection               | IK07 conforming to EN 50102   |
| overvoltage category                  | Class I conforming to NF C 20-030<br>Class I conforming to IEC 61140  |
| ambient air temperature for operation | -13...158 °F (-25...70 °C)  |
| ambient air temperature for storage   | -40...158 °F (-40...70 °C)  |
| protective treatment                  | TC  |
| product certifications                | CCC<br>CSA<br>UL  |
| standards                             | CENELEC EN 50041<br>EN 60204-1<br>EN 60947-5-1<br>IEC 60204-1<br>IEC 60947-5-1<br>UL 508<br>CSA C22.2 No 14 |

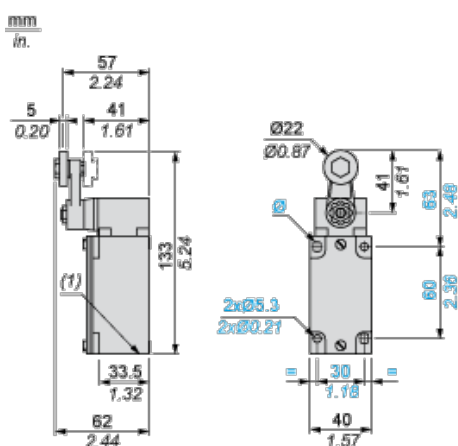
## Offer Sustainability

|  |  |
|--|--|
| Green Premium product  | Green Premium product  |
| Compliant - since 1103 - Schneider Electric declaration of conformity  | Compliant - since 1103 - Schneider Electric declaration of conformity  |
| Reference not containing SVHC above the threshold  | Reference not containing SVHC above the threshold  |
| Need no specific recycling operations  | Need no specific recycling operations  |
| WARNING: This product can expose you to chemicals including:   | WARNING: This product can expose you to chemicals including:   |
| Diisononyl phthalate (DINP), which is known to the State of California to cause cancer, and                                | Diisononyl phthalate (DINP), which is known to the State of California to cause cancer, and                                |
| Di-isodecyl phthalate (DIDP), which is known to the State of California to cause birth defects or other reproductive harm. | Di-isodecyl phthalate (DIDP), which is known to the State of California to cause birth defects or other reproductive harm. |
| For more information go to <a href="http://www.p65warnings.ca.gov">www.p65warnings.ca.gov</a>                              | For more information go to <a href="http://www.p65warnings.ca.gov">www.p65warnings.ca.gov</a>                              |

## Contractual warranty

|                 |           |
|-----------------|-----------|
| Warranty period | 18 months |
|-----------------|-----------|

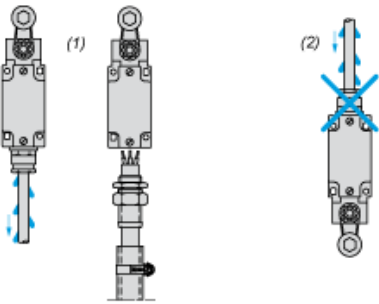
## Dimensions



(1) 1 tapped entry M20 x 1.5

## Mounting with Cable Entry

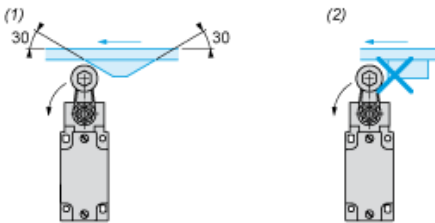
### Position of Cable Gland



- (1) Recommended
- (2) To be avoided

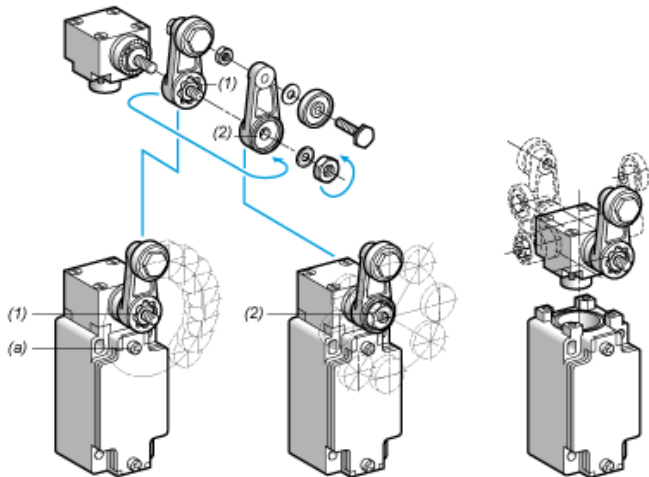
## Mounting with Rotary Heads and Levers

### Type of Cam



- (1) Recommended
- (2) To be avoided

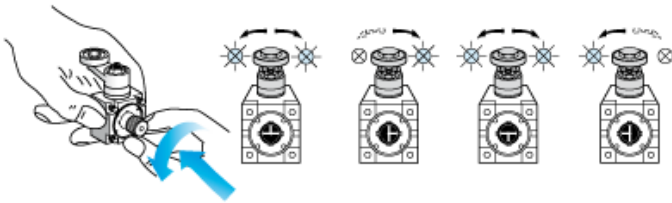
## Setting-up with Lever Head



- (1) 5° steps throughout 360° / Tightening torque (Min : 1) (Max : 1.5)
- (2) 45° steps throughout 360° / Tightening torque (Min : 1) (Max : 1.5)
- (a) Tightening torque (Min : 1) (Max : 1.5)

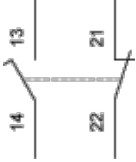
## Setting-up with Head ZCKE05

### Direction of Actuation Programming



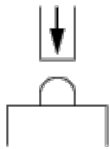
## Wiring Diagram

2-pole NC + NO Break before Make, Slow Break

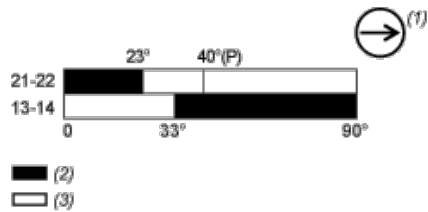


## Characteristics of Actuation

Switch Actuation on End



## Functionnal Diagram



- (P) Positive opening point
- (1) NC contact with positive opening operation
- (2) Closed
- (3) Open